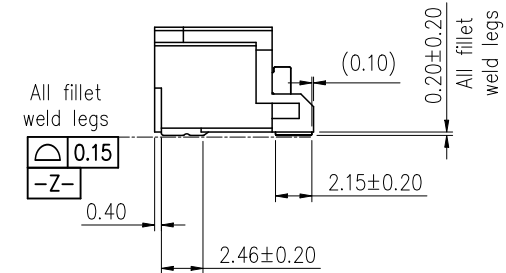
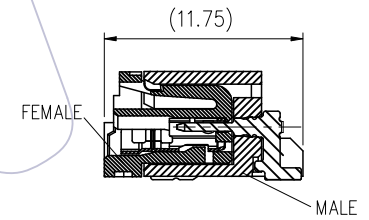
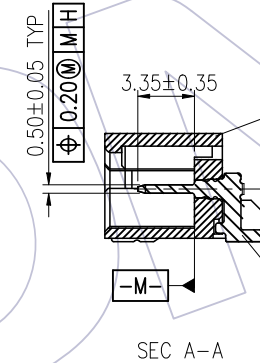
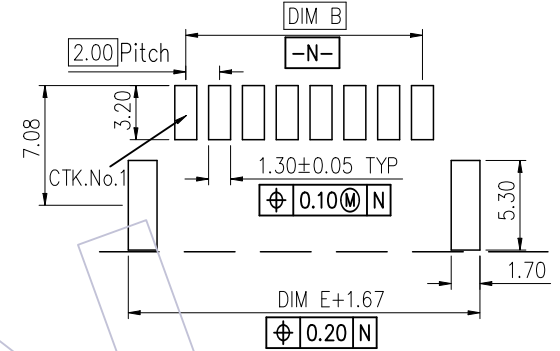
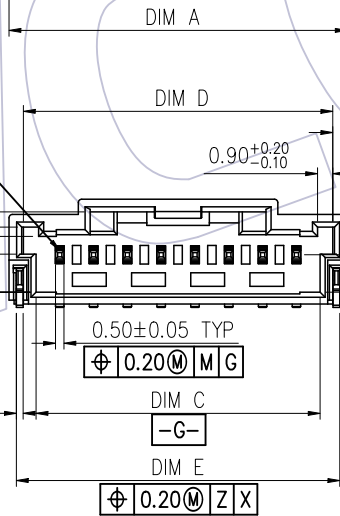
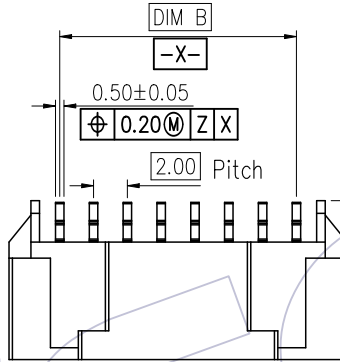
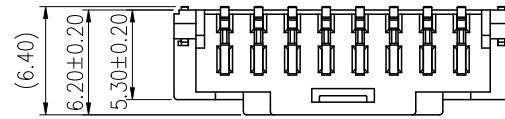


# HSF

NOTES:  
 Rated Current: 3.0A at 75°C  
 Rated Voltage: 125V  
 Contact Resistance: 20mΩ Max.  
 Withstand Voltage: 500V  
 Insulation Resistance: 1000MΩ Min.  
 Operation Temperature: -40°C to +125°C  
 Contact Material: Copper alloy  
 Contact Plating: 80u" Matte Tin over 30u" nickel  
 Latch Material: Copper alloy  
 Latch Plating: 80u" Bright Tin over 30u" nickel  
 Housing Material: PA9T,G,F,UL94V-0, Colour(See PN)

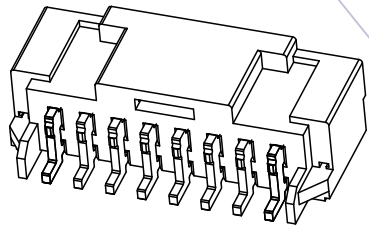
Recommended P.C.B Layout(Top Side)  
 (PCB BOARD TOLERANCE±0.05)



## Ordering Information

WF2012 - 1 WZ H XX X X 1

Row  
 1=Single  
 Type  
 WZ=90° SMT  
 wcon internal code  
 Packing  
 R=Tape & Reel  
 T=Tube  
 HSG material characteristics  
 H=High temperature resistance  
 NO. of PIN  
 02=2 Pin  
 .....  
 15=15 Pin  
 HSG Colour  
 R=Red  
 B=Black  
 T=Natural  
 U=Blue



| REV | DATE       | MODIFICATION DESCRIPTION | CHANGE | OPERATION   | DRAW    | DATE       | SCALE     | PART NO.                             |
|-----|------------|--------------------------|--------|-------------|---------|------------|-----------|--------------------------------------|
| A1  | 2020/12/22 | Add Structure            | DuYing | x.x ±0.40   | DuYing  | 2020/12/22 | 1:1       | WF2012-1WZHXXXX1                     |
| A0  | 2019/02/20 | NEW                      | Bruce  | x.xx ±0.25  | CHECK   | DATE       | UNIT mm   | TITLE:                               |
|     |            |                          |        | x.xxx ±0.15 | APPROVE | DATE       | SIZE A4   | 2.0mm WAFER SINGLE R/A SMT CONNECTOR |
|     |            |                          |        | Angle ± 3°  |         |            | SHEET 1/2 | Customer NO.                         |
|     |            |                          |        | DIM TOL     |         |            | PROJ.     |                                      |

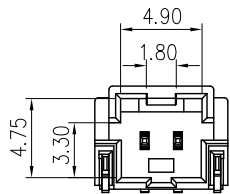
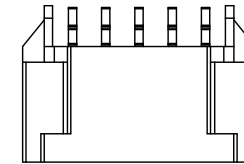
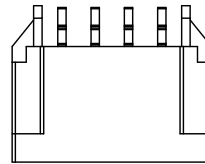
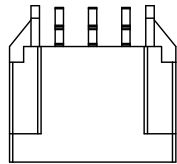
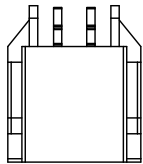
# WCON

Http: www.wcon.com

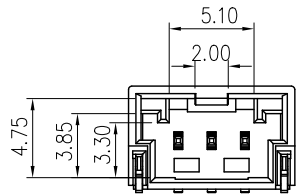
WCON-Dongguan  
 Tel: +86 769 85358920  
 Fax: +86 769 85358915  
 E-mail: sales@wcon.com

WCON-Kunshan  
 Tel: +86 512 57468408  
 Fax: +86 512 57468468  
 E-mail: salesks@wcon.com

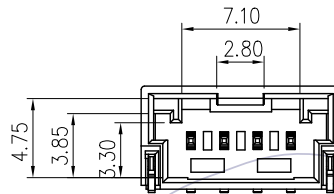
# HSF



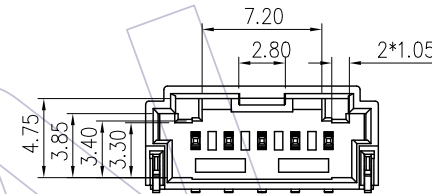
2 CKTS  $\triangle A1$



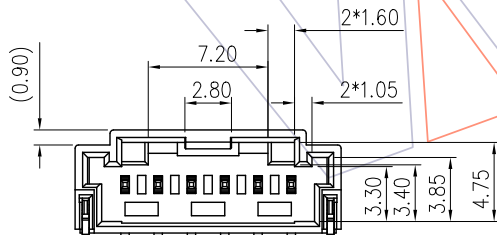
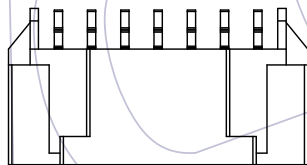
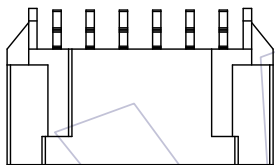
3 CKTS  $\triangle A1$



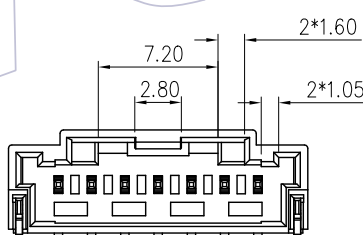
4 CKTS  $\triangle A1$



5 CKTS  $\triangle A1$



6 CKTS  $\triangle A1$



7~15 CKTS  $\triangle A1$

| CKTS | DIM A      | DIM B | DIM C                                   | DIM D                                   | DIM E      |
|------|------------|-------|---|---|------------|
| 15   | 34.00±0.25 | 28    | 30.80 <sup>+0.20</sup> <sub>-0.10</sub> | 32.30 <sup>+0.20</sup> <sub>-0.10</sub> | 33.13±0.25 |
| 14   | 32.00±0.25 | 26    | 28.80 <sup>+0.20</sup> <sub>-0.10</sub> | 30.30 <sup>+0.20</sup> <sub>-0.10</sub> | 31.13±0.25 |
| 13   | 30.00±0.25 | 24    | 26.80 <sup>+0.20</sup> <sub>-0.10</sub> | 28.30 <sup>+0.20</sup> <sub>-0.10</sub> | 29.13±0.25 |
| 12   | 28.00±0.25 | 22    | 24.80 <sup>+0.20</sup> <sub>-0.10</sub> | 26.30 <sup>+0.20</sup> <sub>-0.10</sub> | 27.13±0.25 |
| 11   | 26.00±0.25 | 20    | 22.80 <sup>+0.20</sup> <sub>-0.10</sub> | 24.30 <sup>+0.20</sup> <sub>-0.10</sub> | 25.13±0.25 |
| 10   | 24.00±0.20 | 18    | 20.80 <sup>+0.15</sup> <sub>-0.10</sub> | 22.30 <sup>+0.15</sup> <sub>-0.10</sub> | 23.13±0.20 |
| 9    | 22.00±0.20 | 16    | 18.80 <sup>+0.15</sup> <sub>-0.10</sub> | 20.30 <sup>+0.15</sup> <sub>-0.10</sub> | 21.13±0.20 |
| 8    | 20.00±0.20 | 14    | 16.80 <sup>+0.15</sup> <sub>-0.10</sub> | 18.30 <sup>+0.15</sup> <sub>-0.10</sub> | 19.13±0.20 |
| 7    | 18.00±0.20 | 12    | 14.80 <sup>+0.15</sup> <sub>-0.10</sub> | 16.30 <sup>+0.15</sup> <sub>-0.10</sub> | 17.13±0.20 |
| 6    | 16.00±0.20 | 10    | 12.80 <sup>+0.15</sup> <sub>-0.10</sub> | 14.30 <sup>+0.15</sup> <sub>-0.10</sub> | 15.13±0.20 |
| 5    | 14.00±0.15 | 8     | 10.80±0.10                              | 12.30±0.10                              | 13.13±0.15 |
| 4    | 12.00±0.15 | 6     | 8.80±0.10                               | 10.30±0.10                              | 11.13±0.15 |
| 3    | 10.00±0.15 | 4     | 6.80±0.10                               | 8.30±0.10                               | 9.13±0.15  |
| 2    | 8.00±0.15  | 2     | 4.80±0.10                               | 6.30±0.10                               | 7.13±0.15  |

| REV | DATE       | MODIFICATION DESCRIPTION     | CHANGE | OPERATION   | DRAW    | DATE       | SCALE | PART NO.                             |
|-----|------------|------------------------------|--------|-------------|---------|------------|-------|--------------------------------------|
| A1  | 2020/12/22 | Add Structure $\triangle A1$ | DuYing | x.x ±0.40   | Bruce   | 2019/02/20 | 1:1   | WF2012-1WZHXXX1                      |
| AO  | 2019/02/20 | NEW                          | —      | x.xx ±0.25  | CHECK   | DATE       | UNIT  | TITLE:                               |
|     |            |                              |        | x.xxx ±0.15 | APPROVE | DATE       | mm    | 2.0mm WAFER SINGLE R/A SMT CONNECTOR |
|     |            |                              |        | Angle ± 3°  |         |            | A4    | Customer NO.                         |
|     |            |                              |        | DIM TOL     |         |            | 2/2   |                                      |
|     |            |                              |        |             |         |            | PROJ. |                                      |

**WCON**  
Http: www.wcon.com

|   |  |
|---|--|
| WCON-Dongguan<br>Tel: +86 769 85358920<br>Fax: +86 769 85358915<br>E-mail: sales@wcon.com | WCON-Kunshan<br>Tel: +86 512 57468408<br>Fax: +86 512 57468468<br>E-mail: sales@wcon.com |
|---|--|