

HSF

NOTES:
 Rated Current: 3.0A
 Contact Resistance: 20mΩ Max.
 Applicable Wire: 0.3sq., AWG#22, #24
 Operation Temperature: -40℃ to +105℃

Contact Material: Copper alloy
 Contact Plating: 100u" Bright Tin over 50u" nickel

Ordering Information

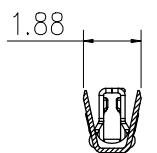
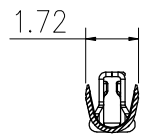
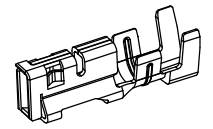
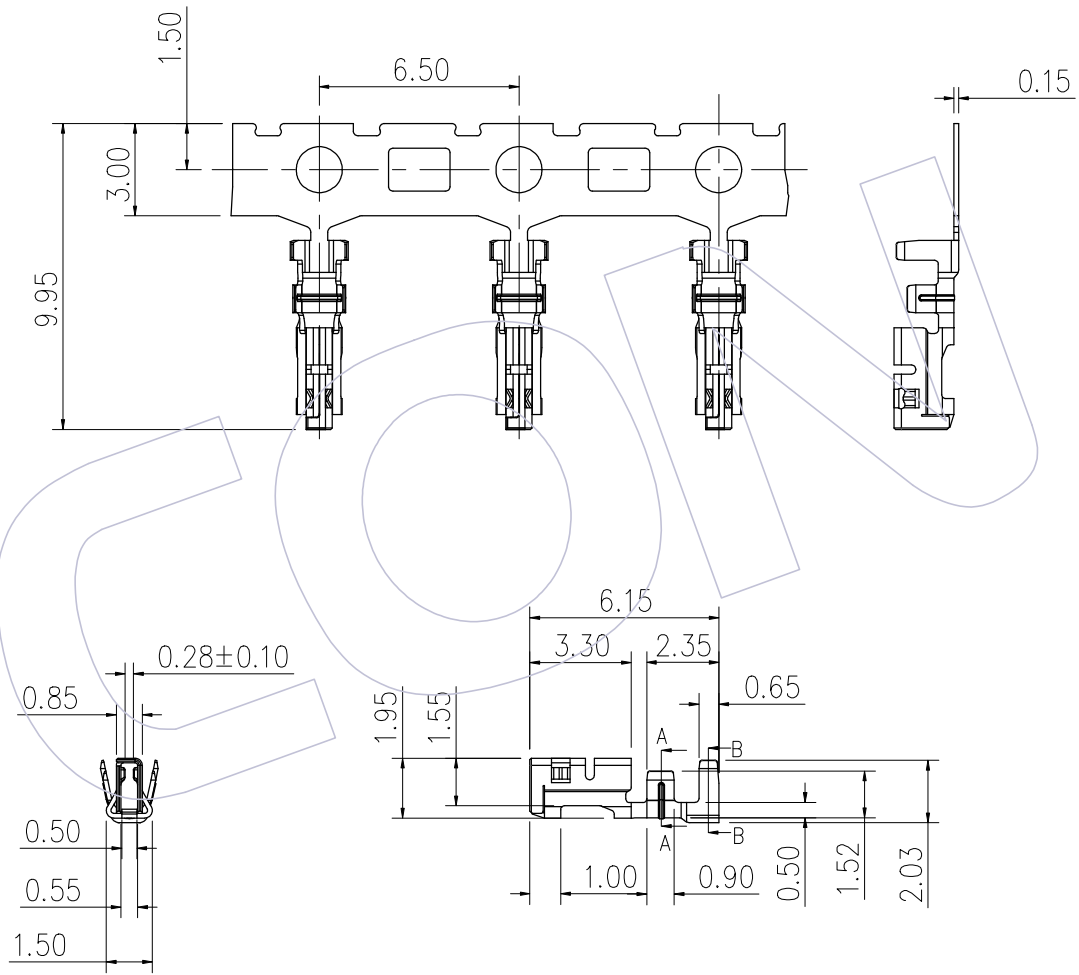
WF2012 -T P SN 01

Type
 T=Contact

Contact Material
 P=Copper alloy

Contact Plating
 SN=Bright Tin

Internal code
 01



				OPERATION	DRAW	DATE	SCALE	PART NO.
				x.x ±0.40	Bruce	2019/02/20	1:1	WF2012-TP XX 01
				x.xx ±0.25	CHECK	DATE	UNIT	TITLE:
				x.xxx ±0.15	APPROVE	DATE	mm	2.0mm HOUSING DISTRIBUTING
A0	2019/02/20	NEW		Angle ± 3'			SHEET	TERMINAL
REV	DATE	MODIFICATION DESCRIPTION	CHANGE	DIM TOL			PROJ.	Customer NO.

WCON
 Http: www.wcon.com

WCON-Dongguan
 Tel: +86 769 85358920
 Fax: +86 769 85358915
 E-mail: sales@wcon.com

WCON-Kunshan
 Tel: +86 512 57468408
 Fax: +86 512 57468468
 E-mail: salesks@wcon.com