

HSF

NOTES:

Rated Current: 3.0A at 75°C
 Rated Voltage: 125V
 Contact Resistance: 20mΩ Max.
 Withstand Voltage: 500V
 Insulation Resistance: 1000MΩ Min.
 Operation Temperature: -40°C to +125°C
 Housing Material: PA66,G.F,UL94V-0,Colour(See PN)
 Cover Material: PBT,GF,UL94V-0,Colour: GRAY

Ordering Information

WF2012 - 1 H XX X 0 1

Row
1=Single

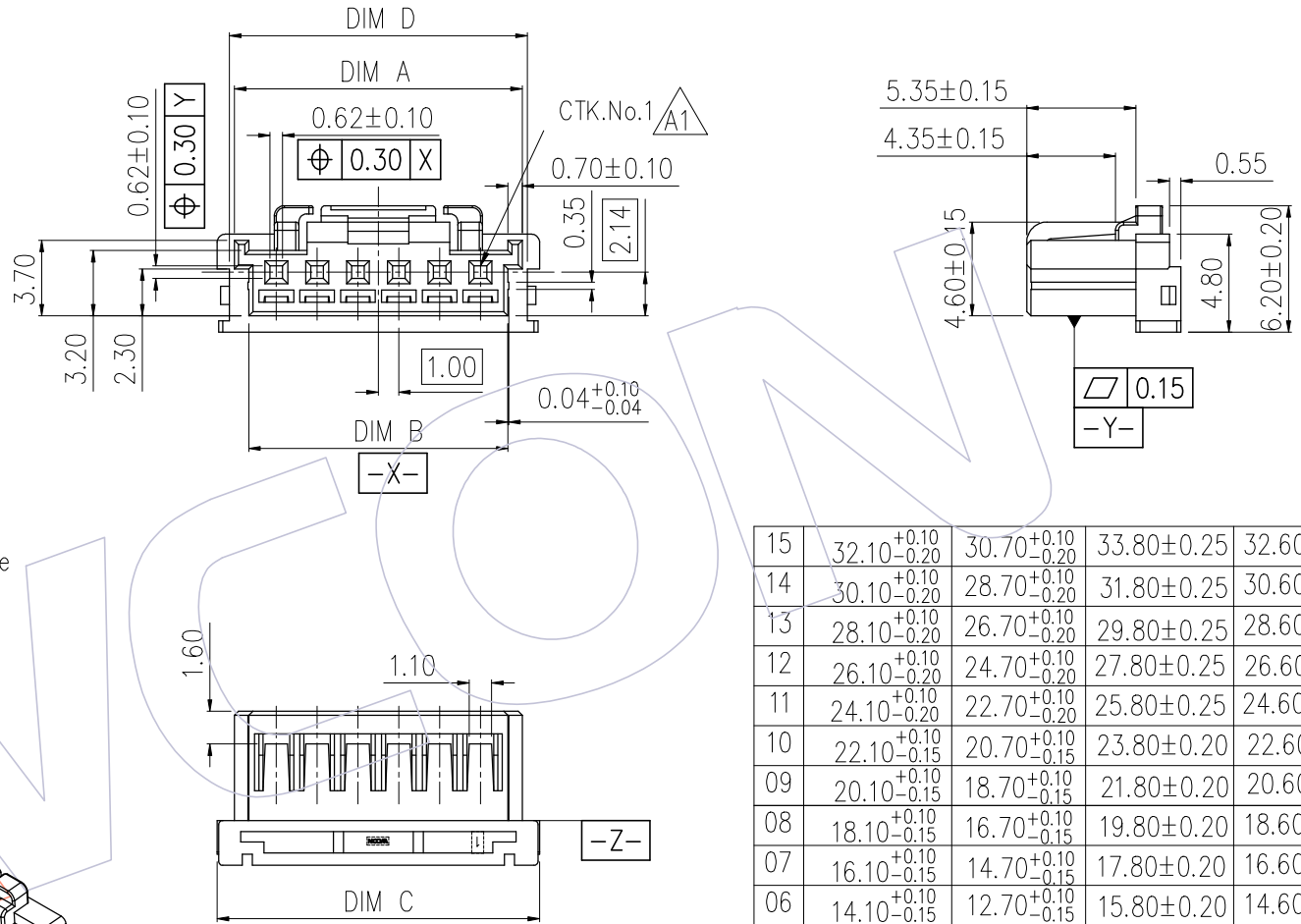
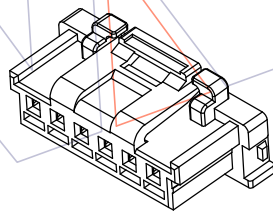
Internal code

HSG material characteristics
H=High temperature resistance

Packing
0=Bag

NO.of PIN
02=2 Pin
.....
15=15 Pin

HSG Colour
B=Black
T=Natural



15	32.10 ^{+0.10} _{-0.20}	30.70 ^{+0.10} _{-0.20}	33.80±0.25	32.60±0.20
14	30.10 ^{+0.10} _{-0.20}	28.70 ^{+0.10} _{-0.20}	31.80±0.25	30.60±0.20
13	28.10 ^{+0.10} _{-0.20}	26.70 ^{+0.10} _{-0.20}	29.80±0.25	28.60±0.20
12	26.10 ^{+0.10} _{-0.20}	24.70 ^{+0.10} _{-0.20}	27.80±0.25	26.60±0.20
11	24.10 ^{+0.10} _{-0.20}	22.70 ^{+0.10} _{-0.20}	25.80±0.25	24.60±0.20
10	22.10 ^{+0.10} _{-0.15}	20.70 ^{+0.10} _{-0.15}	23.80±0.20	22.60±0.15
09	20.10 ^{+0.10} _{-0.15}	18.70 ^{+0.10} _{-0.15}	21.80±0.20	20.60±0.15
08	18.10 ^{+0.10} _{-0.15}	16.70 ^{+0.10} _{-0.15}	19.80±0.20	18.60±0.15
07	16.10 ^{+0.10} _{-0.15}	14.70 ^{+0.10} _{-0.15}	17.80±0.20	16.60±0.15
06	14.10 ^{+0.10} _{-0.15}	12.70 ^{+0.10} _{-0.15}	15.80±0.20	14.60±0.15
05	12.10±0.10	10.70±0.10	13.80±0.15	12.60±0.10
04	10.10±0.10	8.70±0.10	11.80±0.15	10.60±0.10
03	8.10±0.10	6.70±0.10	9.80±0.15	8.60±0.10
02	6.10±0.10	4.70±0.10	8.00±0.15	6.60±0.10
PIN	A	B	C	D

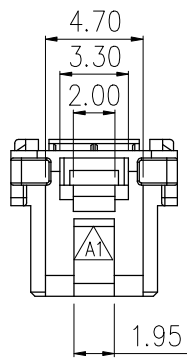
REV	DATE	MODIFICATION DESCRIPTION	CHANGE	OPERATION	DRAW	DATE	SCALE	PART NO.
A2	2023/12/22	Modify 2P TPA DIM: 8.00±0.15 → 7.80±0.15		x.x ±0.40	CHEN	2023/12/22	1:1	WF2012-1HXXX01
A1	2022/04/11	Modify		x.xx ±0.25	CHECK	DATE	UNIT	TITLE:
A0	2019/02/20	NEW	Bruce	x.xxx ±0.15	APPROVE	DATE	mm	2.0mm HOUSING SINGLE CONNECTOR
				Angle ± 3°			A4	Customer NO.
				DIM TOL			1/4	
							PROJ.	

WCON
 Http: www.wcon.com

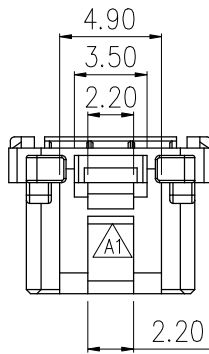
WCON-Dongguan
 Tel: +86 769 85358920
 Fax: +86 769 85358915
 E-mail: sales@wcon.com

WCON-Kunshan
 Tel: +86 512 57468408
 Fax: +86 512 57468468
 E-mail: salesks@wcon.com

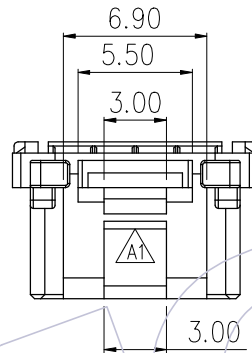
HSF



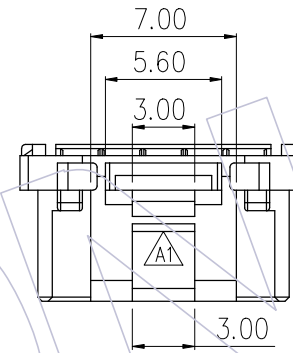
2 CKTS



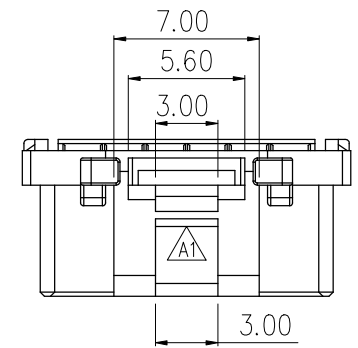
3 CKTS



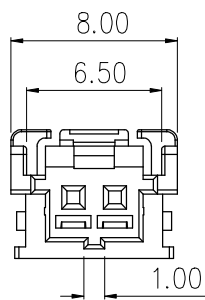
4 CKTS



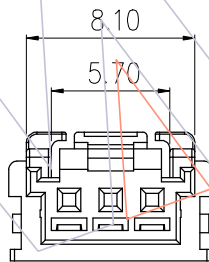
5 CKTS



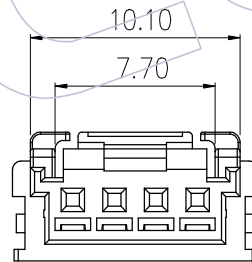
6~15 CKTS



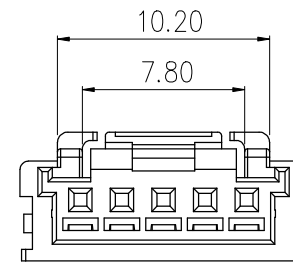
2 CKTS



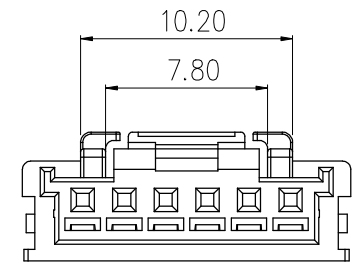
3 CKTS




4 CKTS



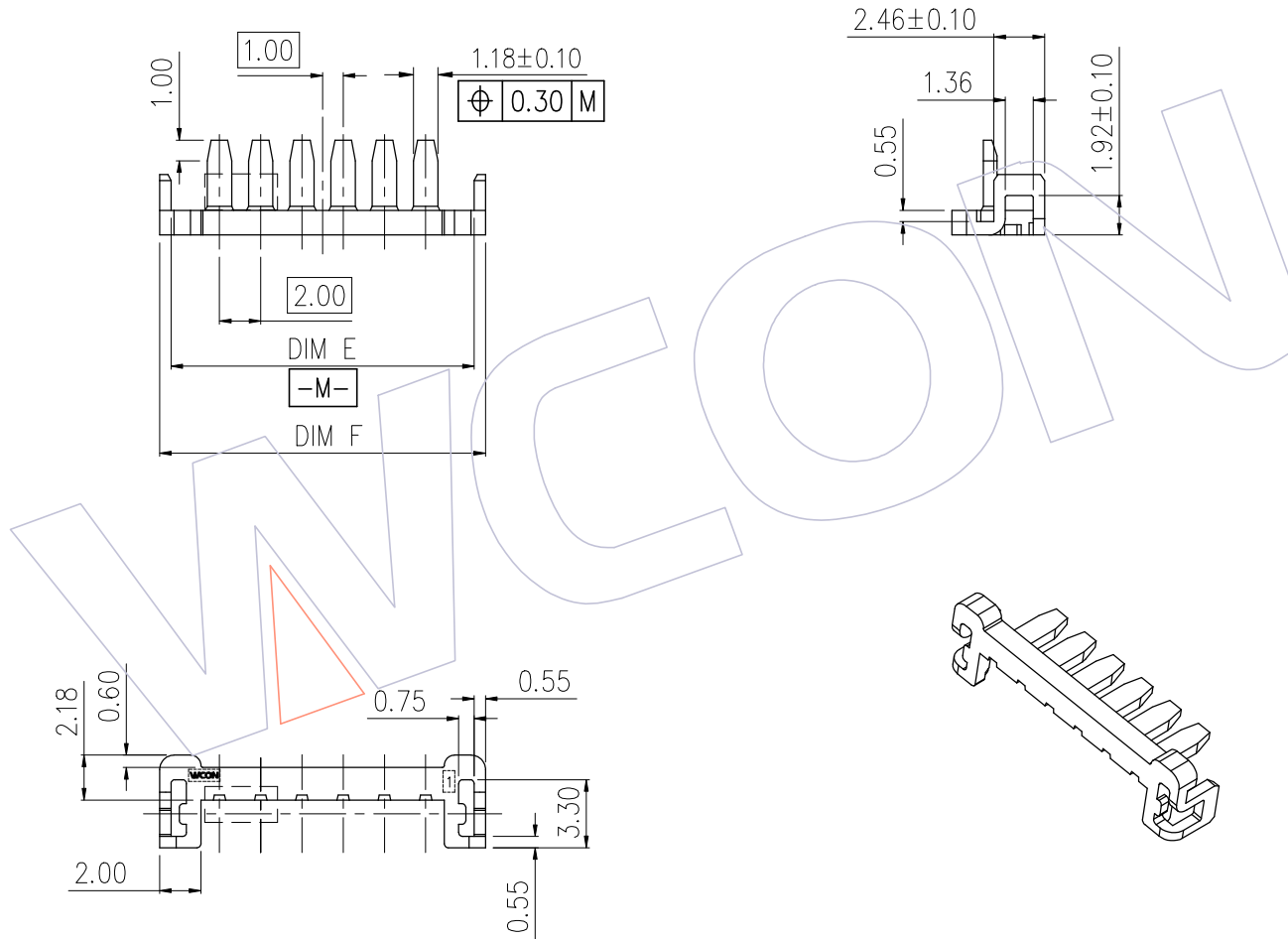
5 CKTS



6~15 CKTS

				OPERATION	DRAW	DATE	SCALE	1:1	PART NO.	 Http: www.wcon.com WCON-Dongguan Tel: +86 769 85358920 Fax: +86 769 85358915 E-mail: sales@wcon.com WCON-Kunshan Tel: +86 512 57468408 Fax: +86 512 57468468 E-mail: salesks@wcon.com
A2	2023/12/22	Modify 2P TPA DIM: 8.00±0.15 — 7.80±0.15	—	x.x ±0.40	CHEN	2023/12/22	UNIT	mm	WF2012-1HXXX01	
A1	2022/04/11	Modify	—	x.xx ±0.25	CHECK	DATE	SHEET	A4	TITLE: 2.0mm HOUSING SINGLE CONNECTOR	
A0	2019/02/20	NEW	Bruce	x.xxx ±0.15	APPROVE	DATE	SHEET	2/4	Customer NO.	
REV	DATE	MODIFICATION DESCRIPTION	CHANGE	Angle ± 3° DIM TOL			PROJ.	⌀		

HSF



15	32.70±0.20	33.80±0.25
14	30.70±0.20	31.80±0.25
13	28.70±0.20	29.80±0.25
12	26.70±0.20	27.80±0.25
11	24.70±0.20	25.80±0.25
10	22.70±0.15	23.80±0.20
09	20.70±0.15	21.80±0.20
08	18.70±0.15	19.80±0.20
07	16.70±0.15	17.80±0.20
06	14.70±0.15	15.80±0.20
05	12.70±0.10	13.80±0.15
04	10.70±0.10	11.80±0.15
03	8.70±0.10	9.80±0.15
02	6.70±0.10	7.80±0.15
PIN	E	F



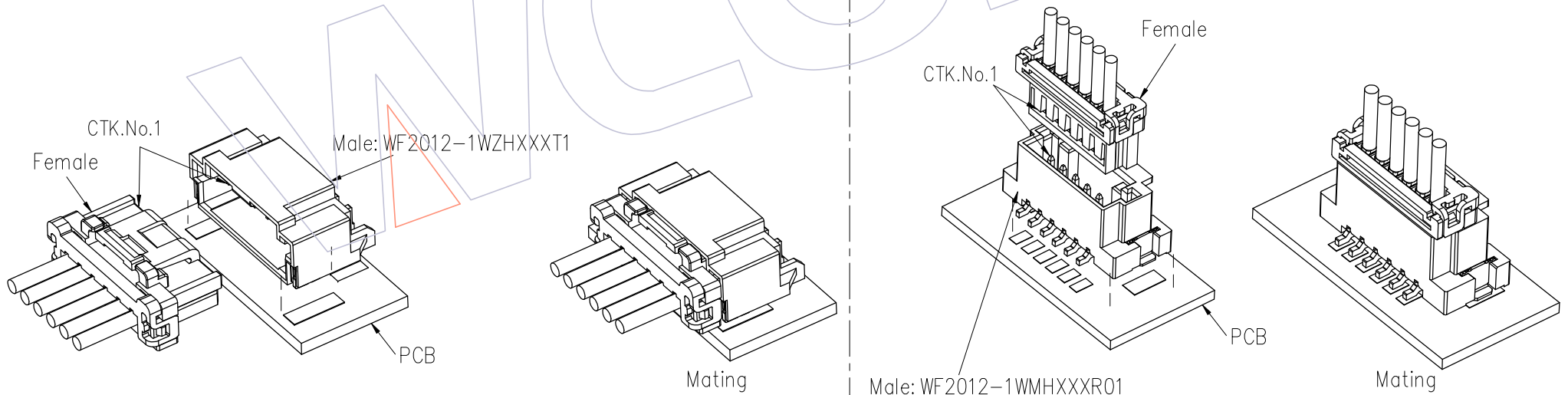
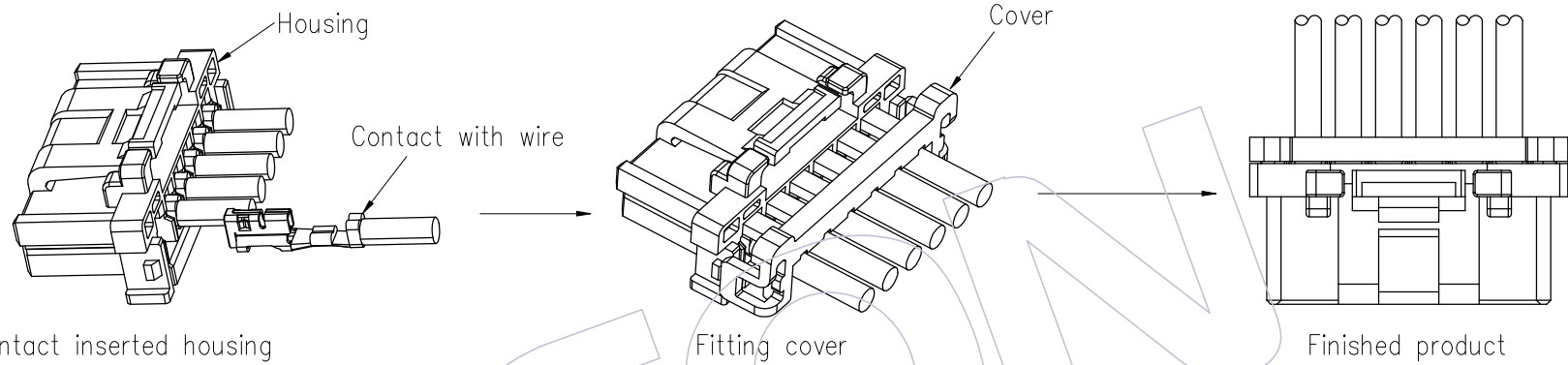
REV	DATE	MODIFICATION DESCRIPTION	CHANGE	OPERATION	DRAW	DATE	SCALE	PART NO.
A2	2023/12/22	Modify 2P TPA DIM: 8.00±0.15 → 7.80±0.15		x.x ±0.40	CHEN	2023/12/22	1:1	WF2012-1HXXX01
A1	2022/04/11	Modify		x.xx ±0.25	CHECK	DATE	UNIT	TITLE:
A0	2019/02/20	NEW	Bruce	x.xxx ±0.15	APPROVE	DATE	SIZE	2.0mm HOUSING SINGLE CONNECTOR
				Angle ± 3°			SHEET	Customer NO.
				DIM TOL			PROJ.	

WCON
Http: www.wcon.com

WCON-Dongguan Tel: +86 769 85358920 Fax: +86 769 85358915 E-mail: sales@wcon.com	WCON-Kunshan Tel: +86 512 57468408 Fax: +86 512 57468468 E-mail: salesks@wcon.com
---	--

HSF

Assembling process



REV	DATE	MODIFICATION DESCRIPTION	CHANGE	OPERATION	DRAW	DATE	SCALE	PART NO.
A2	2023/12/22	Modify 2P TPA DIM: 8.00±0.15 → 7.80±0.15	—	x.x ±0.40	CHEN	2023/12/22	1:1	WF2012-1HXXX01
A1	2022/04/11	Modify	—	x.xx ±0.25	CHECK	DATE	mm	TITLE: 2.0mm HOUSING SINGLE CONNECTOR
A0	2019/02/20	NEW	Bruce	x.xxx ±0.15	APPROVE	DATE	A4	Customer NO.
				Angle ± 3°			4/4	
				DIM TOL			PROJ.	

WCON

Http: www.wcon.com

WCON-Dongguan Tel: +86 769 85358920 Fax: +86 769 85358915 E-mail: sales@wcon.com	WCON-Kunshan Tel: +86 512 57468408 Fax: +86 512 57468468 E-mail: salesks@wcon.com
---	--