

# HSF

**NOTES:**

- 1.Current Rating:2A Max (only one pin) ;
- 2.Voltage Rating:175V DC;
- 3.Contact Resistance:30mΩ Max;
- 4.Withstand Voltage:675V AC;
- 5.Insulation Resistance:5000MΩ Min;
- 6.Operating Temperature: -55°C to +125°C;
- 7.Insulator Material: LCP,G.F,UL94V-0,BK;
- 8.Contact Material:Copper Alloy;
- 9.Contact plating:  
 Au on contact area (See ordering information),  
 100μ" Matte TIN on solder area,  
 50μ" Nickel underplating overall;
- 10.Recommended process:  
 Reflow,Peak temperature:260±5°C, 10s ;

**Ordering Information**

37 2 0 X- P M XX0 OXX XX X XX

**OPTIONS**

- 1=A
- 2=LC
- 3=FL
- P=PLUG
- M=180° SMT

**No OF POSITIONS**

- 040=40PIN
- 080=80PIN
- 120=120PIN
- 160=160PIN
- 200=200PIN

**LEAD STYLE**

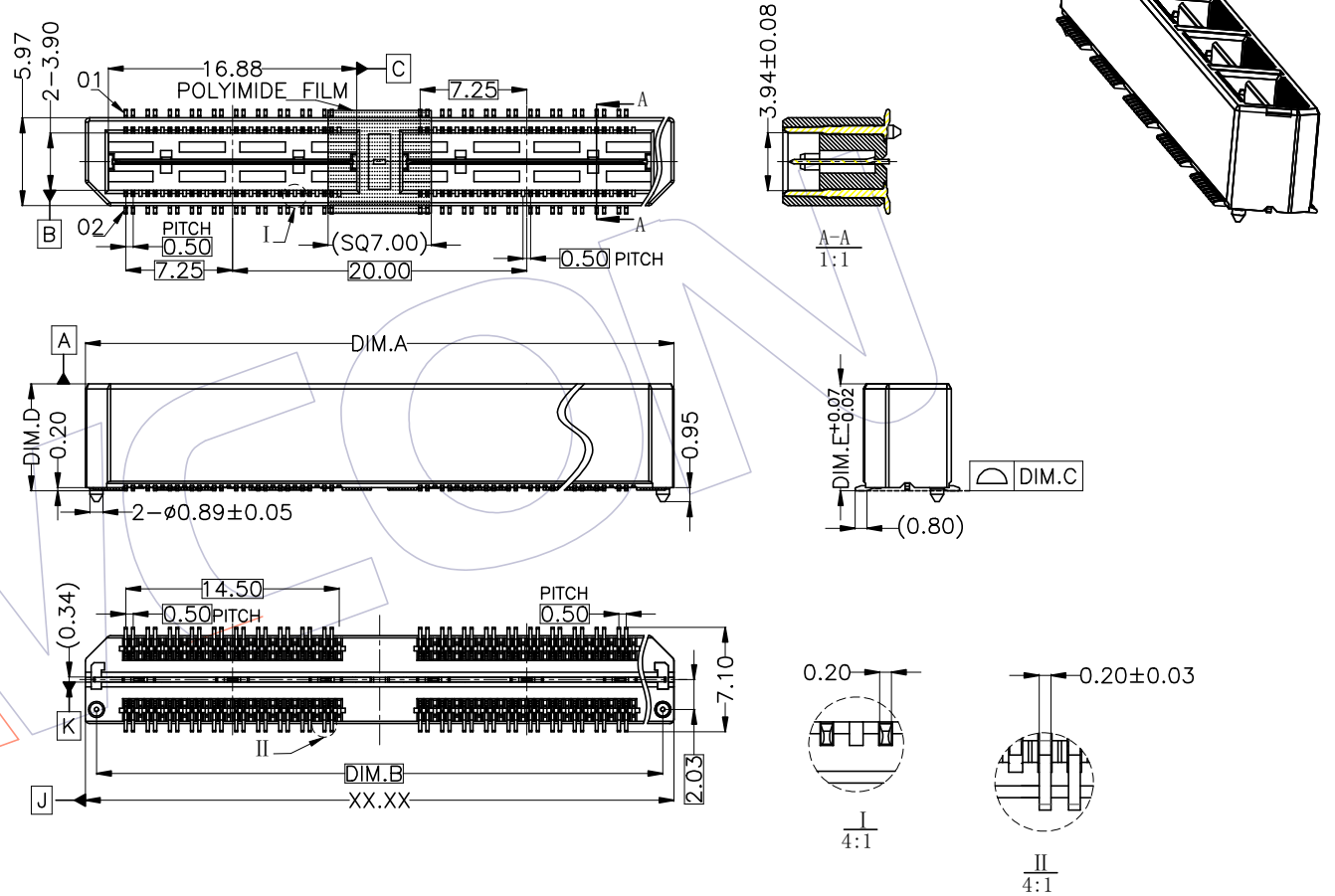
- 042=4.26
- 072=7.26

**WCON INTERNAL CODE**

- PACKAGING**  
 A=VACUUM BOX  
 R=TAPE&REEL

**PLATING**

- W1=SEL.3U"GOLD/MATTE SN
- W3=SEL.10U"GOLD/MATTE SN
- W5=SEL.30U"GOLD/MATTE SN



REV	DATE	MODIFICATION DESCRIPTION	CHANGE	OPERATION	DRAW	DATE	SCALE	Fit	PART NO.
A1	2022.12.21	ANNOTATION MODE CHANGE	Abt Chen	x.x ±0.40	Abt Chen	2022.04.06	UNIT	mm	3720X-PMXX0-0XXXXX11
A0	2022.04.06	NEW		x.xx ±0.25	CHECK	DATE	SIZE	A4	TITLE:
				x.xxx ±0.15	APPROVE	DATE	SHEET	1/4	0.5mmB0 TO B0 PLUG SMT, ASSEMBLY
				Angle ± 3°			PROJ.	⊕	Customer NO.
				DIM TOL					

**WCON**

Http: www.wcon.com

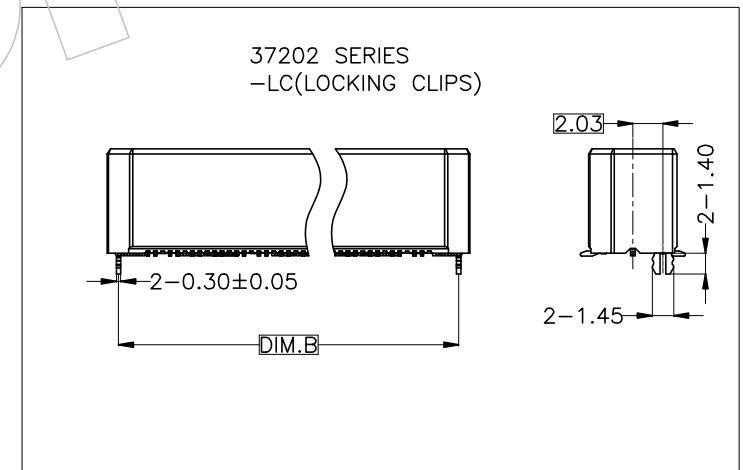
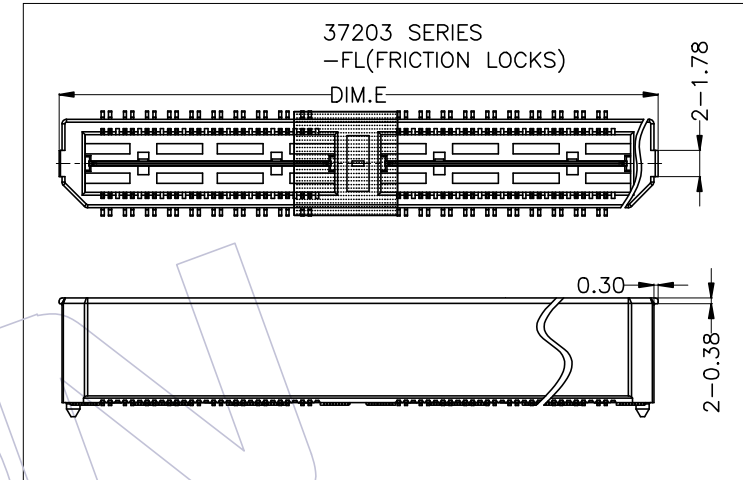
WCON-Dongguan Tel: +86 769 85358920 Fax: +86 769 85358915 E-mail: sales@wcon.com

WCON-Kunshan Tel: +86 512 57468408 Fax: +86 512 57468468 E-mail: salesks@wcon.com

# HSF

## SPECIFICATION&SIZE LIST

OPTIONS	P/N	PIN	DIM.A	DIM.B	DIM.C	DIM.D	DIM.E
-A (CONVENTION)	37201-PM040-042XXX11	2*20	20.00	18.48	0.10	4.26	
	37201-PM080-042XXX11	2*40	40.00	38.48	0.10	4.26	
	37201-PM120-042XXX11	2*60	60.00	58.48	0.15	4.26	
	37201-PM160-042XXX11	2*80	80.00	78.48	0.15	4.26	
	37201-PM200-042XXX11	2*100	100.00	98.48	0.15	4.26	
	37201-PM040-072XXX11	2*20	20.00	18.48	0.10	7.26	
	37201-PM080-072XXX11	2*40	40.00	38.48	0.10	7.26	
	37201-PM120-072XXX11	2*60	60.00	58.48	0.15	7.26	
	37201-PM160-072XXX11	2*80	80.00	78.48	0.15	7.26	
	37201-PM200-072XXX11	2*100	100.00	98.48	0.15	7.26	
-LC (LOCKING CLIPS)	37202-PM040-042XXX11	2*20	20.00	18.48	0.10	4.26	
	37202-PM080-042XXX11	2*40	40.00	38.48	0.10	4.26	
	37202-PM120-042XXX11	2*60	60.00	58.48	0.15	4.26	
	37202-PM160-042XXX11	2*80	80.00	78.48	0.15	4.26	
	37202-PM200-042XXX11	2*100	100.00	98.48	0.15	4.26	
	37202-PM040-072XXX11	2*20	20.00	18.48	0.10	7.26	
	37202-PM080-072XXX11	2*40	40.00	38.48	0.10	7.26	
	37202-PM120-072XXX11	2*60	60.00	58.48	0.15	7.26	
	37202-PM160-072XXX11	2*80	80.00	78.48	0.15	7.26	
	37202-PM200-072XXX11	2*100	100.00	98.48	0.15	7.26	
-FL (FRICTION LOCKS)	37203-PM040-042XXX11	2*20	20.00	18.48	0.10	4.26	20.50
	37203-PM080-042XXX11	2*40	40.00	38.48	0.10	4.26	40.50
	37203-PM120-042XXX11	2*60	60.00	58.48	0.15	4.26	60.50
	37203-PM160-042XXX11	2*80	80.00	78.48	0.15	4.26	80.50
	37203-PM200-042XXX11	2*100	100.00	98.48	0.15	4.26	100.50
	37203-PM040-072XXX11	2*20	20.00	18.48	0.10	7.26	20.50
	37203-PM080-072XXX11	2*40	40.00	38.48	0.10	7.26	40.50
	37203-PM120-072XXX11	2*60	60.00	58.48	0.15	7.26	60.50
	37203-PM160-072XXX11	2*80	80.00	78.48	0.15	7.26	80.50
	37203-PM200-072XXX11	2*100	100.00	98.48	0.15	7.26	100.50



REV	DATE	MODIFICATION DESCRIPTION	CHANGE	OPERATION	DRAW	DATE	SCALE	Fit	PART NO.
A1	2022.12.21	ANNOTATION MODE CHANGE	Abt Chen	x.x ±0.40	Abt Chen	2022.04.06	UNIT	mm	3720X-PMXX0-0XXXXX11
A0	2022.04.06	NEW	—	x.xx ±0.25	CHECK	DATE	SIZE	A4	TITLE:
				x.xxx ±0.15	APPROVE	DATE	SHEET	2/4	0.5mmB0 TO B0 PLUG SMT, ASSEMBLY
				Angle ± 3°			PROJ.	⊕	Customer NO.
				DIM TOL					

# WCON

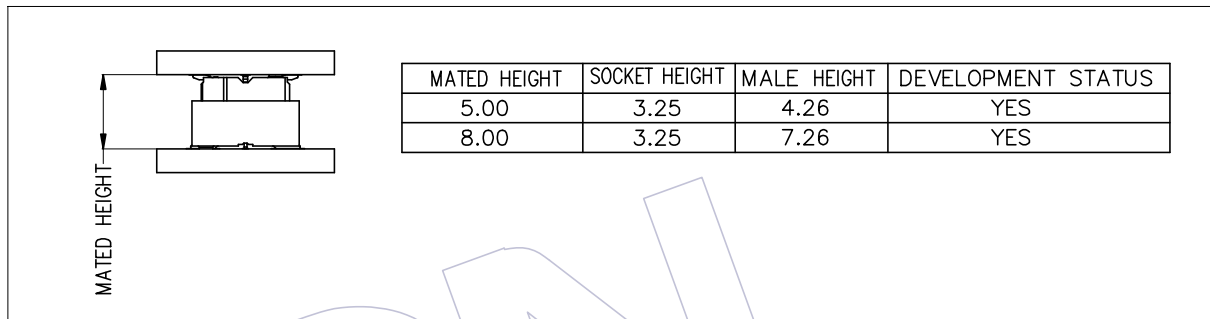
Http: www.wcon.com

WCON-Dongguan Tel: +86 769 85358920 Fax: +86 769 85358915 E-mail: sales@wcon.com

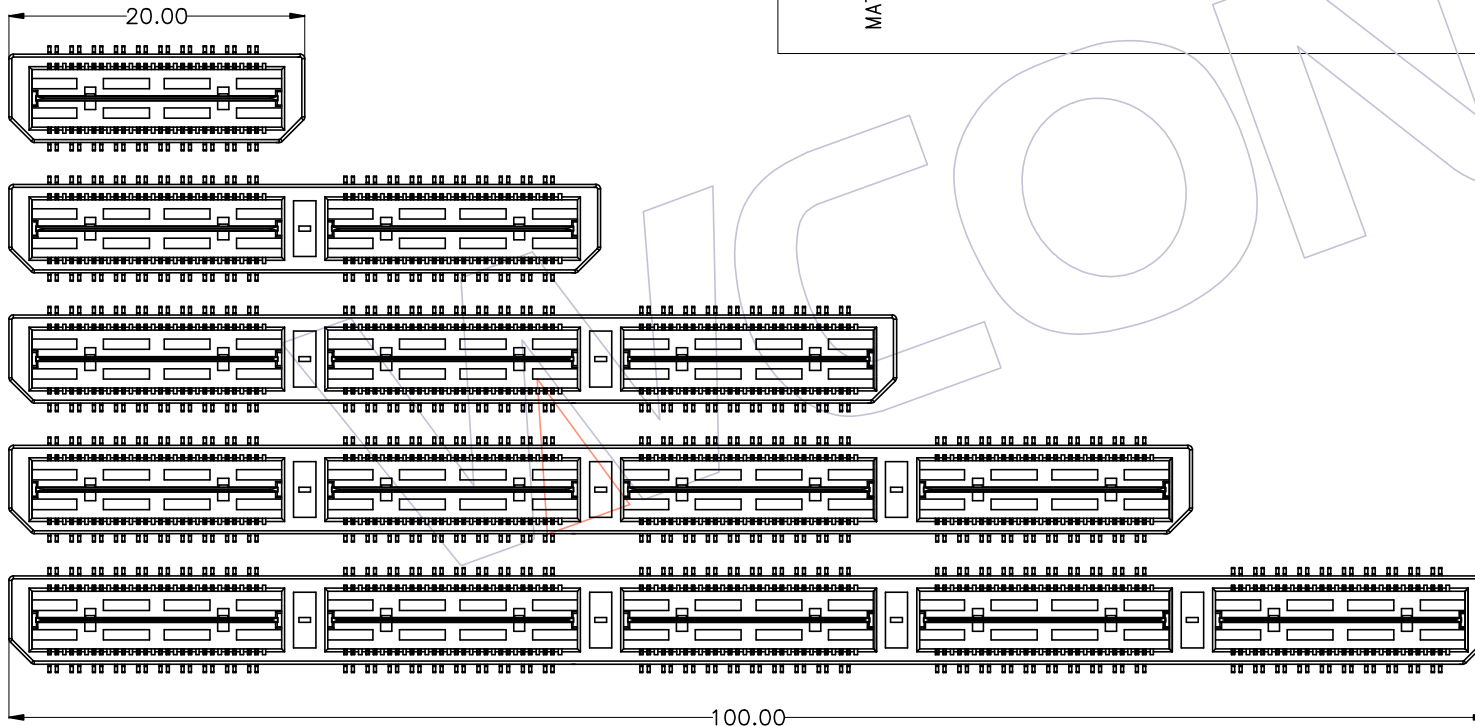
WCON-Kunshan Tel: +86 512 57468408 Fax: +86 512 57468468 E-mail: salesks@wcon.com

# HSF

## MATED HEIGHT



## LENGTH SPECIFICATION DISPLAY



REV	DATE	MODIFICATION DESCRIPTION	CHANGE	OPERATION	DRAW	DATE	SCALE	Fit	PART NO.
A1	2022.12.21	ANNOTATION MODE CHANGE	Abt Chen	x.x ±0.40	Abt Chen	2022.04.06	UNIT	mm	3720X-PMXX0-0XXXXX11
A0	2022.04.06	NEW	—	x.xx ±0.25	CHECK	DATE	SIZE	A4	TITLE: 0.5mmB0 TO B0 PLUG SMT, ASSEMBLY
				x.xxx ±0.15	APPROVE	DATE	SHEET	3/4	Customer NO.
				Angle ± 3°			PROJ.	⊕	
				DIM TOL					

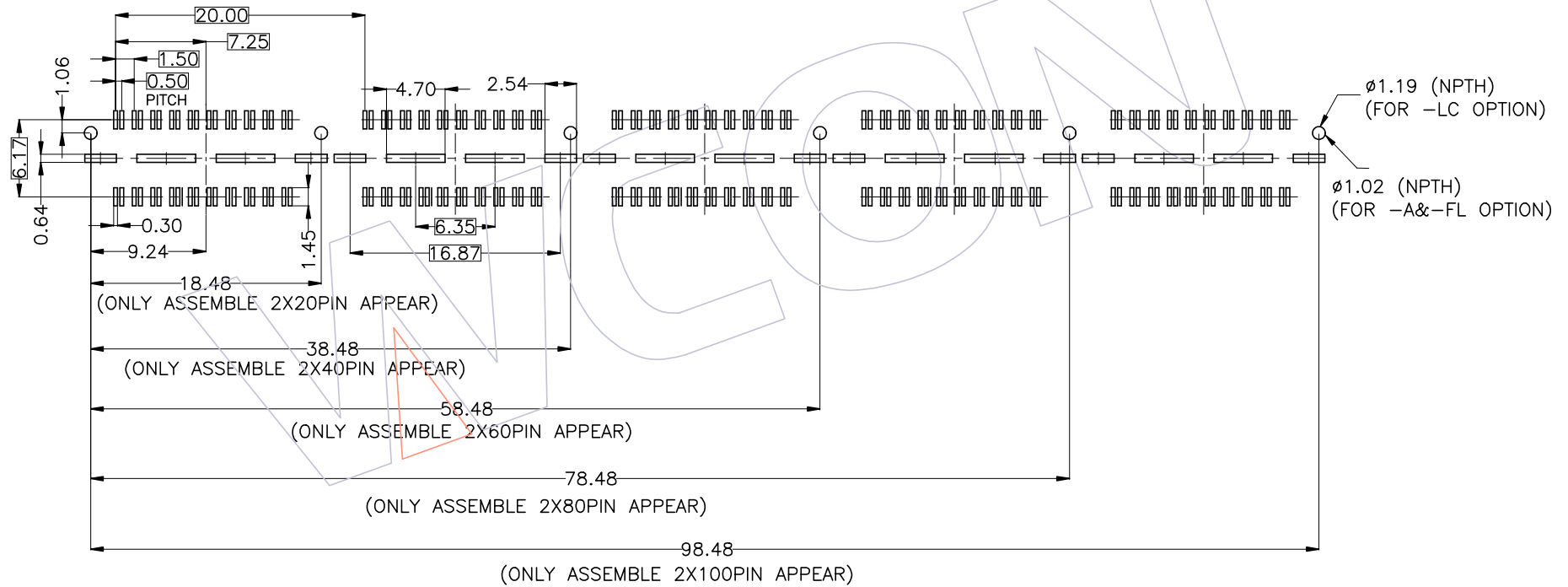


Http: [www.wcon.com](http://www.wcon.com)

WCON-Dongguan Tel: +86 769 85358920 Fax: +86 769 85358915 E-mail: <a href="mailto:sales@wcon.com">sales@wcon.com</a>	WCON-Kunshan Tel: +86 512 57468408 Fax: +86 512 57468468 E-mail: <a href="mailto:salesks@wcon.com">salesks@wcon.com</a>
---	--

HSF

RECOMMENDED PCB LAYOUT (COMPONENT SIDE)  
TOLERANCE ±0.05



REV	DATE	MODIFICATION DESCRIPTION	CHANGE	OPERATION	DRAW	DATE	SCALE	Fit	PART NO.
A1	2022.12.21	ANNOTATION MODE CHANGE	Abt Chen	x.x ±0.40	Abt Chen	2022.04.06	UNIT	mm	3720X-PMXX0-0XXXXX11
A0	2022.04.06	NEW	—	x.xx ±0.25	CHECK	DATE	SIZE	A4	TITLE:
				x.xxx ±0.15	APPROVE	DATE	SHEET	4/4	0.5mmB0 TO B0 PLUG SMT, ASSEMBLY
				Angle ± 3°			PROJ.	⊕	Customer NO.
				DIM TOL					

**WCON**  
Http: www.wcon.com

WCON-Dongguan Tel: +86 769 85358920 Fax: +86 769 85358915 E-mail: sales@wcon.com

WCON-Kunshan Tel: +86 512 57468408 Fax: +86 512 57468468 E-mail: salesks@wcon.com