

HSF

NOTES:

1. Current Rating: 2A Max (only one pin) ;
2. Voltage Rating: 175V DC;
3. Contact Resistance: 30mΩ Max;
4. Withstand Voltage: 675V AC;
5. Insulation Resistance: 5000MΩ Min;
6. Operating Temperature: -55°C to +125°C;
7. Insulator Material: LCP, G.F, UL94V-0, BK;
8. Contact Material: Copper Alloy;
9. Contact plating:
 Au on contact area (See ordering information),
 100μ" Matte TIN on solder area,
 50μ" Nickel underplating overall;
10. Recommended process:
 Wavesolder, Peak temperature: 260±5°C, 5s ;

Ordering Information

37 2 0 X- P M XXX XXX XX X XX

OPTIONS

- 1=A
- 2=LC
- 3=FL
- P=PLUG
- M=180° SMT

WCON INTERNAL CODE

- PACKAGING**
 A=VACUUM BOX
 R=TAPE&REEL

PLATING

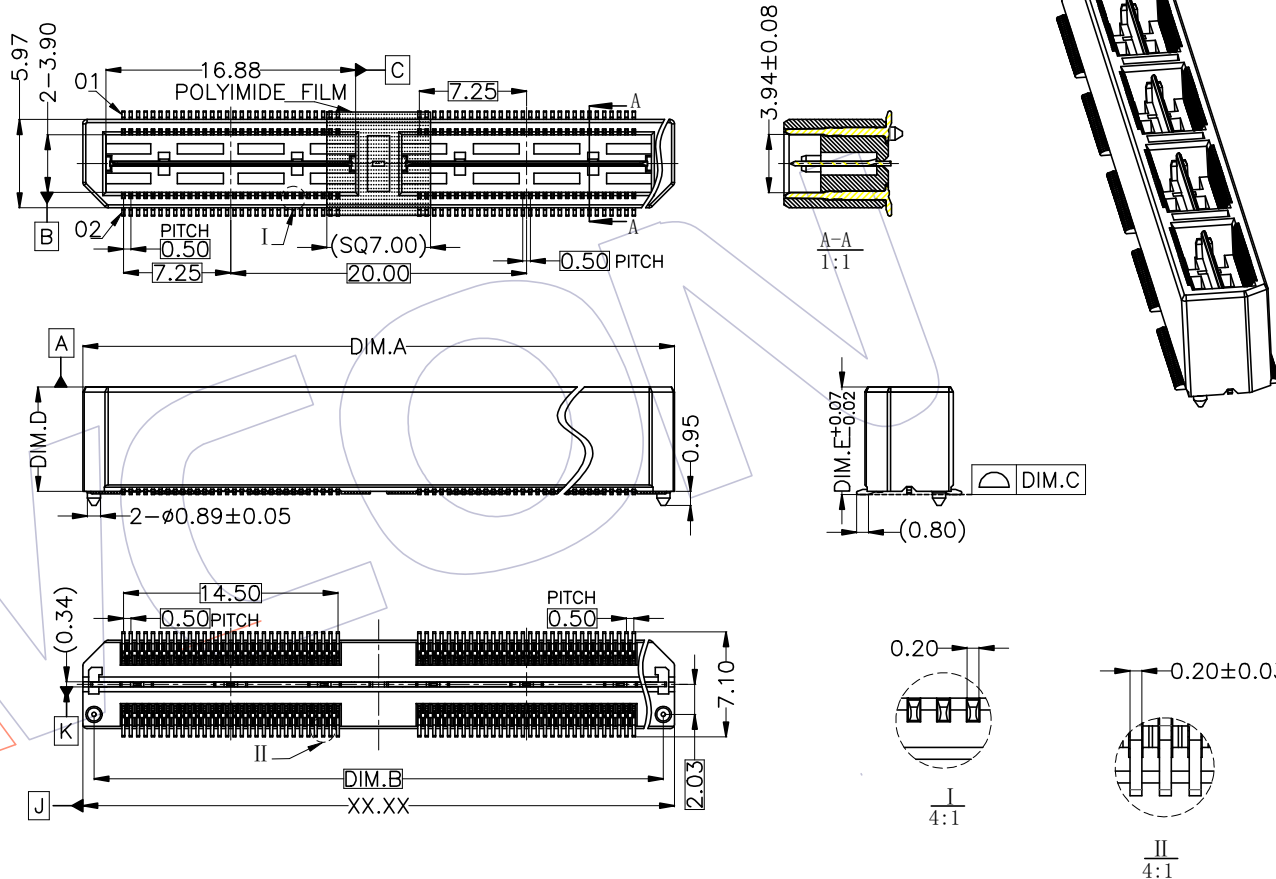
- W1=SEL.3U"GOLD/MATTE SN
- W3=SEL.10U"GOLD/MATTE SN
- W5=SEL.30U"GOLD/MATTE SN

No OF POSITIONS

- 060=60PIN
- 120=120PIN
- 180=180PIN
- 240=240PIN
- 300=300PIN

LEAD STYLE

- 042=4.26
- 072=7.26



REV	DATE	MODIFICATION DESCRIPTION	CHANGE	OPERATION	DRAW	DATE	SCALE	Fit	PART NO.
				x.x ±0.40	Abt Chen	2022.04.06	UNIT	mm	3720X-PMXX0-0XXXXX01
				x.xx ±0.25	CHECK	DATE	SIZE	A4	TITLE:
				x.xxx ±0.15	APPROVE	DATE	SHEET	1/4	0.5mmB0 TO B0 PLUG SMT, ASSEMBLY
				Angle ± 3'			PROJ.		Customer NO.
				DIM TOL					

WCON
 Http: www.wcon.com

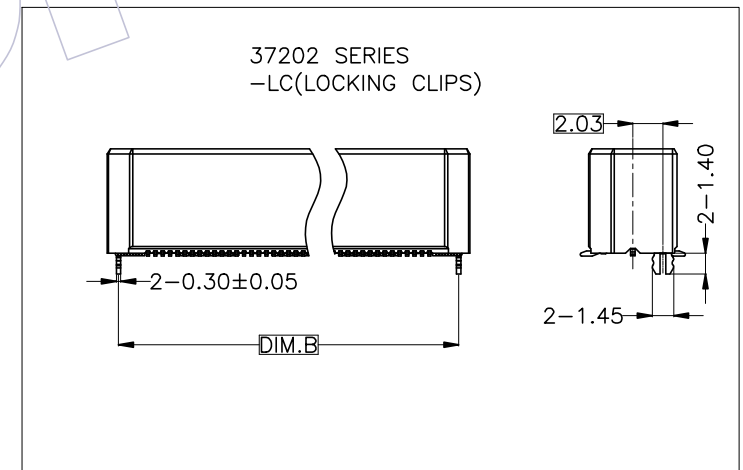
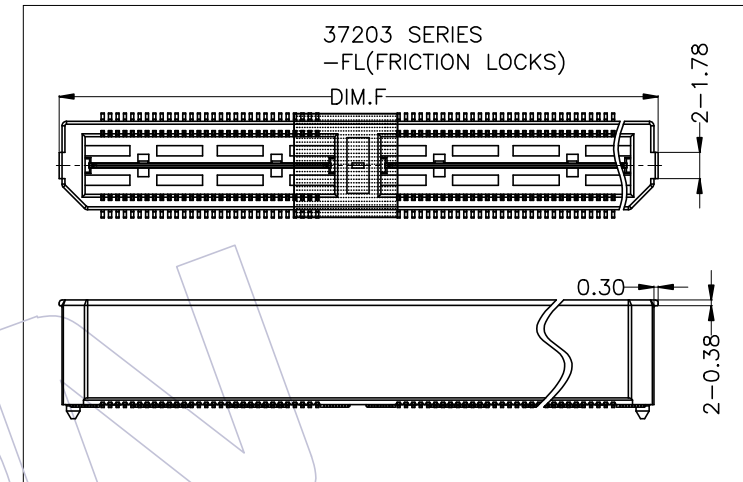
WCON-Dongguan Tel: +86 769 85358920 Fax: +86 769 85358915 E-mail: sales@wcon.com

WCON-Kunshan Tel: +86 512 57468408 Fax: +86 512 57468468 E-mail: salesks@wcon.com

HSF

SPECIFICATION&SIZE LIST

OPTIONS	P/N	PIN	DIM.A	DIM.B	DIM.C	DIM.D	DIM.E	DIM.F
-A (CONVENTION)	37201-PM060-042XXX01	2*30	20.00	18.48	0.10	4.06	4.26	
	37201-PM120-042XXX01	2*60	40.00	38.48	0.10	4.06	4.26	
	37201-PM180-042XXX01	2*90	60.00	58.48	0.15	4.06	4.26	
	37201-PM240-042XXX01	2*120	80.00	78.48	0.15	4.06	4.26	
	37201-PM300-042XXX01	2*150	100.00	98.48	0.15	4.06	4.26	
	37201-PM060-072XXX01	2*30	20.00	18.48	0.10	7.06	7.26	
	37201-PM120-072XXX01	2*60	40.00	38.48	0.10	7.06	7.26	
	37201-PM180-072XXX01	2*90	60.00	58.48	0.15	7.06	7.26	
	37201-PM240-072XXX01	2*120	80.00	78.48	0.15	7.06	7.26	
	37201-PM300-072XXX01	2*150	100.00	98.48	0.15	7.06	7.26	
-LC (LOCKING CLIPS)	37202-PM060-042XXX01	2*30	20.00	18.48	0.10	4.06	4.26	
	37202-PM120-042XXX01	2*60	40.00	38.48	0.10	4.06	4.26	
	37202-PM180-042XXX01	2*90	60.00	58.48	0.15	4.06	4.26	
	37202-PM240-042XXX01	2*120	80.00	78.48	0.15	4.06	4.26	
	37202-PM300-042XXX01	2*150	100.00	98.48	0.15	4.06	4.26	
	37202-PM060-072XXX01	2*30	20.00	18.48	0.10	7.06	7.26	
	37202-PM120-072XXX01	2*60	40.00	38.48	0.10	7.06	7.26	
	37202-PM180-072XXX01	2*90	60.00	58.48	0.15	7.06	7.26	
	37202-PM240-072XXX01	2*120	80.00	78.48	0.15	7.06	7.26	
	37202-PM300-072XXX01	2*150	100.00	98.48	0.15	7.06	7.26	
-FL (FRICTION LOCKS)	37203-PM060-042XXX01	2*30	20.00	18.48	0.10	4.06	4.26	20.50
	37203-PM120-042XXX01	2*60	40.00	38.48	0.10	4.06	4.26	40.50
	37203-PM180-042XXX01	2*90	60.00	58.48	0.15	4.06	4.26	60.50
	37203-PM240-042XXX01	2*120	80.00	78.48	0.15	4.06	4.26	80.50
	37203-PM300-042XXX01	2*150	100.00	98.48	0.15	4.06	4.26	100.50
	37203-PM060-072XXX01	2*30	20.00	18.48	0.10	7.06	7.26	20.50
	37203-PM120-072XXX01	2*60	40.00	38.48	0.10	7.06	7.26	40.50
	37203-PM180-072XXX01	2*90	60.00	58.48	0.15	7.06	7.26	60.50
	37203-PM240-072XXX01	2*120	80.00	78.48	0.15	7.06	7.26	80.50
	37203-PM300-072XXX01	2*150	100.00	98.48	0.15	7.06	7.26	100.50



				OPERATION	DRAW	DATE	SCALE	Fit	PART NO.
				x.x ±0.40	Abt Chen	2022.04.06	UNIT	mm	3720X-PMXX0-0XXXXX01
				x.xx ±0.25	CHECK	DATE	SIZE	A4	TITLE:
				x.xxx ±0.15	APPROVE	DATE	SHEET	2/4	0.5mmB0 TO B0 PLUG SMT, ASSEMBLY
A0	2022.04.06	NEW		Angle ± 3'			PROJ.	⊕	Customer NO.
REV	DATE	MODIFICATION DESCRIPTION	CHANGE	DIM TOL					

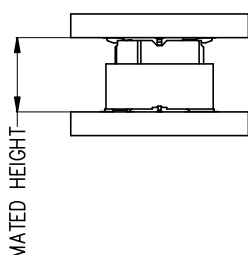
WCON

Http: www.wcon.com

WCON-Dongguan Tel: +86 769 85358920 Fax: +86 769 85358915 E-mail: sales@wcon.com	WCON-Kunshan Tel: +86 512 57468408 Fax: +86 512 57468468 E-mail: salesks@wcon.com
---	--

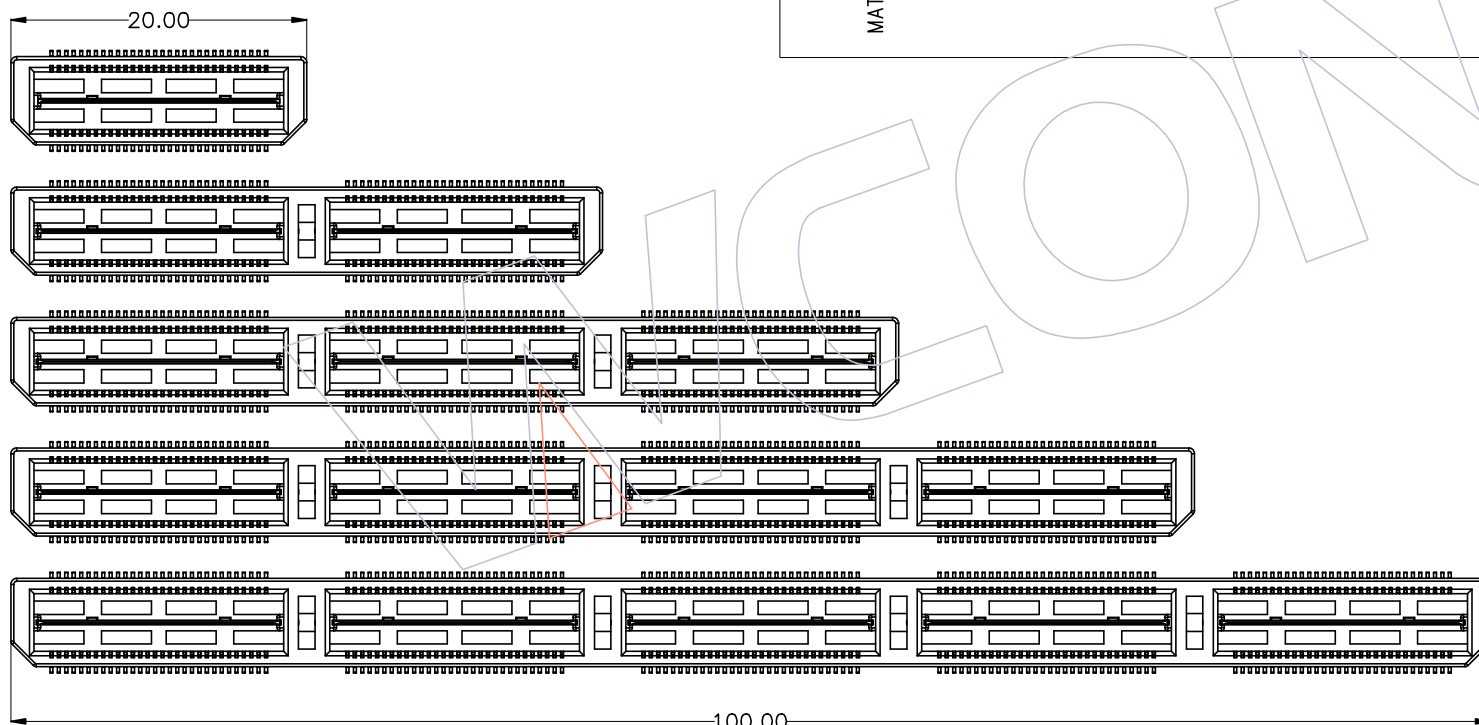
HSF

MATED HEIGHT



MATED HEIGHT	SOCKET HEIGHT	MALE HEIGHT	DEVELOPMENT STATUS
5.00	3.25	4.26	YES
8.00	3.25	7.26	YES

LENGTH SPECIFICATION DISPLAY



OPERATION	DRAW	DATE	SCALE	Fit	PART NO. 3720X-PMXX0-0XXXXX01
x.x ±0.40	Abt Chen	2022.04.06	UNIT	mm	
x.xx ±0.25	CHECK	DATE	SIZE	A4	TITLE: 0.5mmB0 TO B0 PLUG SMT, ASSEMBLY
x.xxx ±0.15	APPROVE	DATE	SHEET	3/4	Customer NO.
Angle ± 3°			PROJ.	⌀	
DIM	TOL				

A0	2022.04.06	NEW	
REV	DATE	MODIFICATION DESCRIPTION	CHANGE

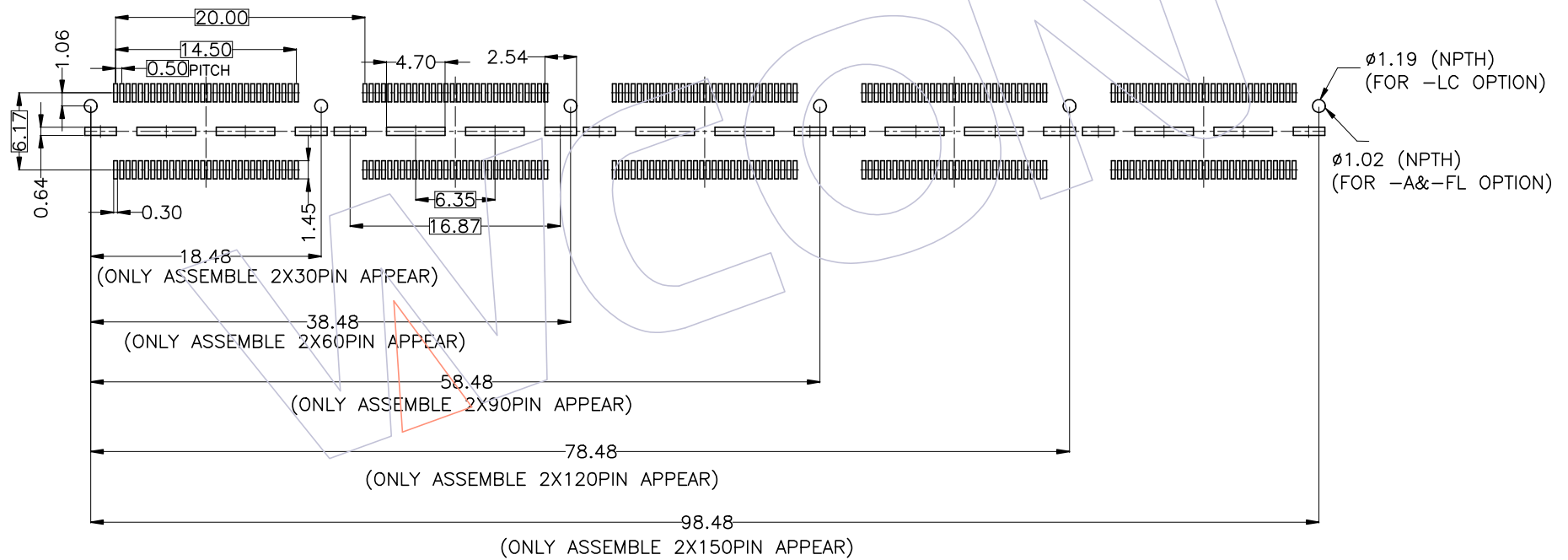
WCON

Http: www.wcon.com

WCON-Dongguan Tel: +86 769 85358920 Fax: +86 769 85358915 E-mail: sales@wcon.com	WCON-Kunshan Tel: +86 512 57468408 Fax: +86 512 57468468 E-mail: salesks@wcon.com
---	--

HSF

RECOMMENDED PCB LAYOUT (COMPONENT SIDE)
TOLERANCE ±0.05



REV	DATE	MODIFICATION DESCRIPTION	CHANGE	OPERATION	DRAW	DATE	SCALE	Fit	PART NO.
A0	2022.04.06	NEW	—	x.x ±0.40	Abt Chen	2022.04.06	UNIT	mm	3720X-PMXX0-0XXXXX01
				x.xx ±0.25	CHECK	DATE	SIZE	A4	TITLE:
				x.xxx ±0.15	APPROVE	DATE	SHEET	4/4	0.5mmB0 TO B0 PLUG SMT, ASSEMBLY
				Angle ± 3°			PROJ.	⌀	Customer NO.
				DIM	TOL				

WCON
Http: www.wcon.com

WCON-Dongguan Tel: +86 769 85358920 Fax: +86 769 85358915 E-mail: sales@wcon.com

WCON-Kunshan Tel: +86 512 57468408 Fax: +86 512 57468468 E-mail: salesks@wcon.com