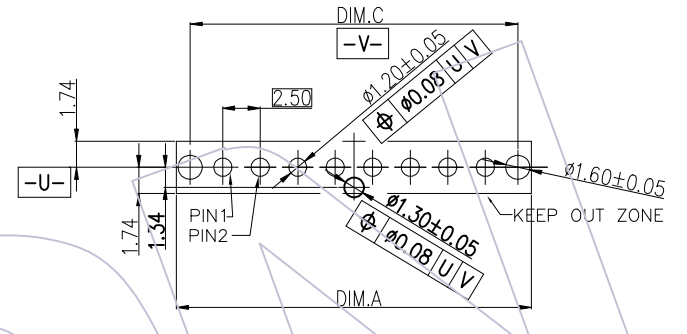
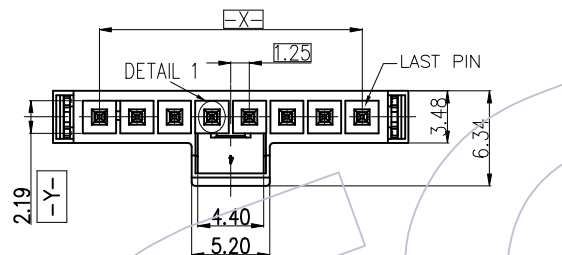
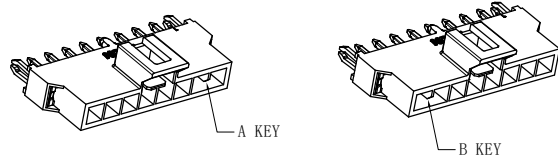
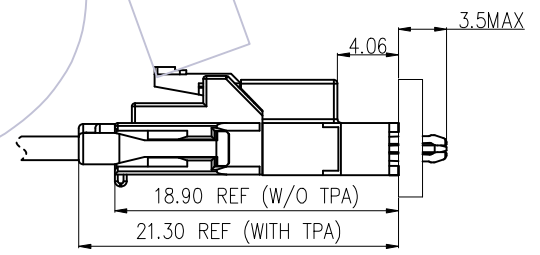
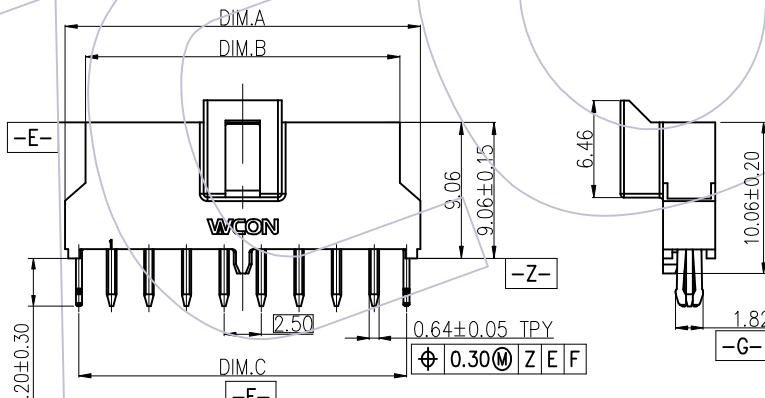


**NOTES:**

1. Rated Current: See Table1;
2. Voltage Rating: 250V ;
3. Contact Resistance: Initial: 10mΩ Max.  
Final: 20mΩ Max;
4. Withstand Voltage: 1500V AC;
5. Insulation Resistance: 1000MΩ Min;
6. Operation Temperature: -40°C to +125°C;
7. Contact Material: copper alloy;
8. Contact Plating:  
Under Plating Nickel 50u" ;Solder Area: Bright Tin 60u" Min;  
Contact Area: Au Or Sn
9. Insulator Body Material: LCP,G.F, UL94V-0 ;
10. Recommended process:  
Wave Solder,Peak temperature:260±5°C.
11. RoHS COMPLIANT.



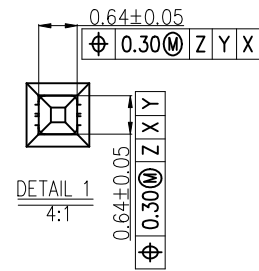
RECOMMENDED PCB LAYOUT (CONNECTOR SIDE VIEW)  
TOLERANCE ±0.05  
THICKNESS: 1.60 TO 2.40 MM



**Ordering Information**

WF 2508-1 WS H XX XX X X 2  
 Row: 1=Single  
 180°Dip  
 High Temperature Plastic  
 NO. of PIN  
 02=2 Pin  
 .....  
 08=8 Pin

Package A=Tray  
 Housing Color  
 T=Natural  
 B=Black  
 Contact Plating  
 S1=3u"Gold/Tin  
 S4=15u"Gold/Tin  
 S5=30u"Gold/Tin  
 B Lank=Bright Tin



Pin (N)	DIM.		
	DIM.A	DIM.B	DIM.C
1*2	8.66	5.94	6.84
1*3	11.16	8.44	9.34
1*4	13.66	10.94	11.84
1*5	16.16	13.44	14.34
1*6	18.66	15.94	16.84
1*7	21.16	18.44	19.34
1*8	23.66	20.94	21.84

REV	DATE	MODIFICATION DESCRIPTION	CHANGE	OPERATION	DRAW	DATE	SCALE	Fit	PART NO.
A0	2023/05/30	NEW		x. ±0.60	Dean.Liu	2023/05/30	UNIT	mm [inch]	WF2508-1WSHXXXXX2
				x.x ±0.40	CHECK	DATE	SIZE	A4	TITLE:
				x.xx ±0.30	APPROVE	DATE	SHEET	1/2	2.5mm Wafer single row, car connector 180°DIP Socket
				Angle ± 3°			PROJ.	Customer NO.	
				DIM TOL					

**WCON**  
 Http: www.wcon.com

WCON-Dongguan  
 Tel: +86 769 85358920  
 Fax: +86 769 85358915  
 E-mail: sales@wcon.com

WCON-Kunshan  
 Tel: +86 512 57468408  
 Fax: +86 512 57468468  
 E-mail: salesks@wcon.com