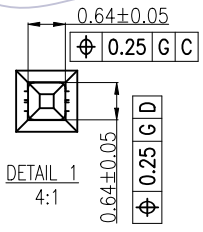
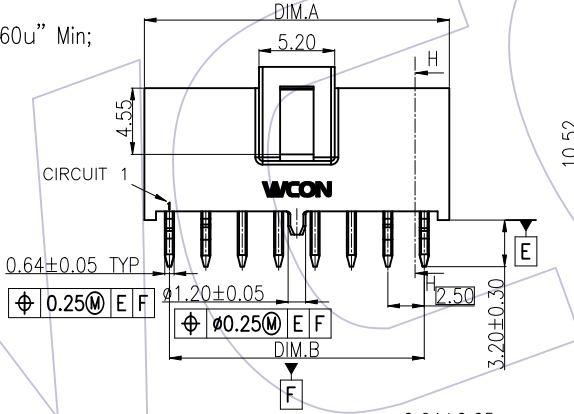
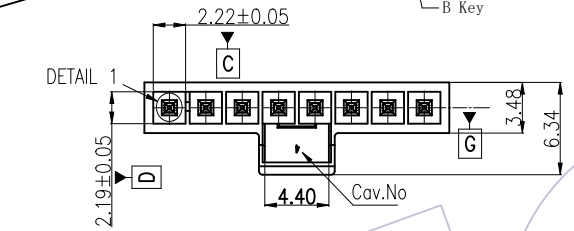
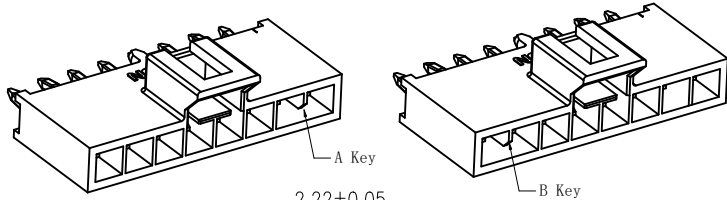


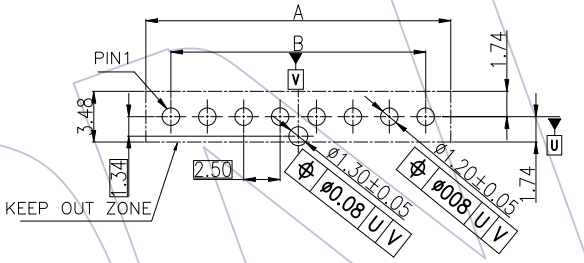
**HSF**

**NOTES:**

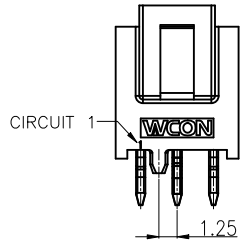
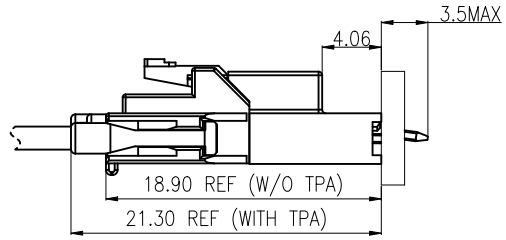
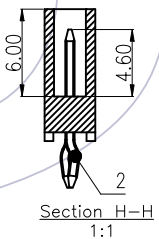
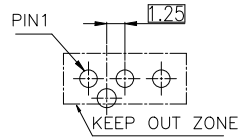
1. Rated Current: See Table 1;
2. Voltage Rating: 250V ;
3. Contact Resistance: Initial: 10mΩ Max.  
Final: 20mΩ Max;
4. Withstand Voltage: 1500V AC;
5. Insulation Resistance: 1000MΩ Min;
6. Operation Temperature: -40°C to +125°C;
7. Contact Material: copper alloy;
8. Contact Plating:  
Under Plating Nickel 50u" ; Solder Area: Bright Tin 60u" Min;  
Contact Area: Au Or Sn
9. Insulator Body Material: LCP, G.F, UL94V-0 ;
10. Recommended process:  
Wave Solder, Peak temperature: 260±5°C, 5S.



RECOMMENDED PCB LAYOUT (CONNECTOR SIDE VIEW)  
TOLERANCE ±0.05  
THICKNESS: 1.60 TO 2.400 MM



ONLY FOR PIN 3,5,7  
OTHER DIMENSIONS REFER TO LEFT VIEWS



**Ordering Information**

WF 2508-1 WS H XX XX X X 1  
 Single Rows  
 180° Dip  
 High Temperature Plastic  
 NO. Of Pins Per Row  
 02 ~ 8 Pin  
 Package A=Tray  
 Housing Color  
 T=Natural  
 B=Black  
 Contact Plating  
 S1=3u" Gold/Tin  
 S4=15u" Gold/Tin  
 S5=30u" Gold/Tin  
 BLank=Bright Tin

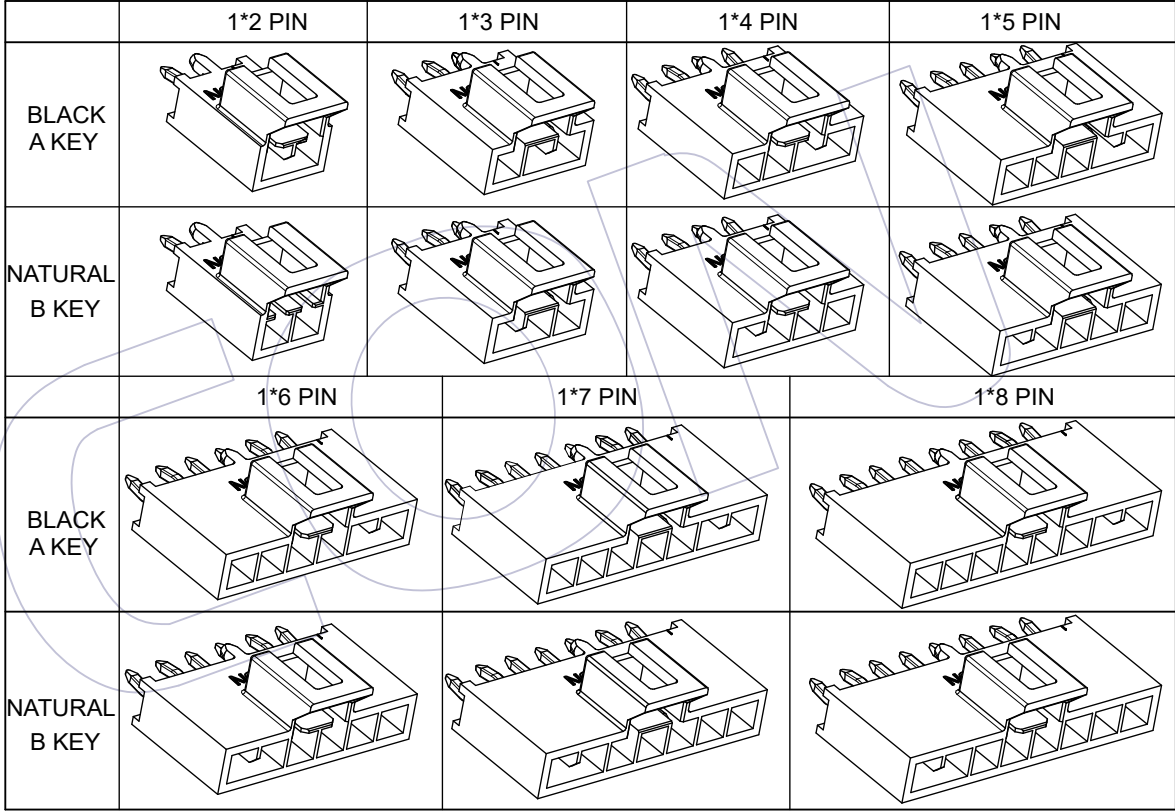
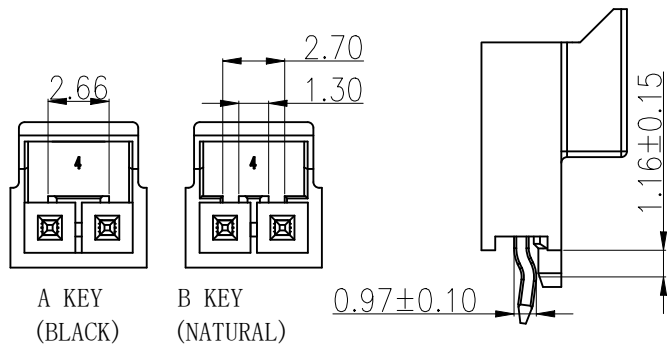
2	Short Terminal	Brass	Whole Pin
1	Body	LCP	1
NO.	Part Name	Material	Q'TY

REV	DATE	MODIFICATION DESCRIPTION	CHANGE	OPERATION	DRAW	DATE	SCALE	Fit	PART NO.
0	2022/06/06	NEW	Dean.Lin	X.	±0.60	2022/06/06	UNIT	mm [inch]	WF2508-1WSHXXXXX1
				X.X	±0.40	DATE	SIZE	A4	TITLE: 2.5*2.5mm Wafer Single Rows, 180°DIP, KINK
				X.XX	±0.25	DATE	SHEET	1/2	Customer NO.
				Angle	± 3'	DATE	PROJ.		
				DIM	TOL				

**WCON**

Http: www.wcon.com  
 WCON-Dongguan  
 Tel: +86 769 85358920  
 Fax: +86 769 85358915  
 E-mail: sales@wcon.com  
 WCON-Kunshan  
 Tel: +86 512 57468408  
 Fax: +86 512 57468468  
 E-mail: salesks@wcon.com

**HSF**



3D VIEW

Pin	DIM.	
	DIM.A	DIM.B
02	5.94	2.50
03	8.44	5.00
04	10.94	7.50
05	13.44	10.00
06	15.94	12.50
07	18.44	15.00
08	20.94	17.50

PIN Current AWG Rating	Ckt Size(Single row)							
	1*2	1*3	1*4	1*5	1*6	1*7	1*8	
20	8.0	7.7	7.5	7.2	7.0	6.7	6.5	
22	6.5	6.1	5.8	5.5	5.1	4.8	4.5	
24	6.0	5.7	5.5	5.2	5.0	4.7	4.5	
26	5.0	4.7	4.5	4.2	4.0	3.7	3.5	

Connector fully loaded with all circuits powered

REV	DATE	MODIFICATION DESCRIPTION	CHANGE	OPERATION	DRAW	DATE	SCALE	Fit	PART NO.
0	2022/06/06	NEW	Dean.Lin	x.	Dean.Lin	2022/06/06	UNIT	mm [inch]	WF2508-1WSHXXXXX1
				x.X	CHECK	DATE	SIZE	A4	TITLE:
				x.XX	APPROVE	DATE	SHEET	2/2	2.5*2.5mm Wafer Single Rows, 180°DIP, KINK
				Angle			PROJ.		Customer NO.
				DIM	TOL				

TITLE:	2.5*2.5mm Wafer Single Rows, 180°DIP, KINK
Customer NO.	

**WCON**

Http: www.wcon.com

WCON-Dongguan Tel: +86 769 85358920 Fax: +86 769 85358915 E-mail: sales@wcon.com

WCON-Kunshan Tel: +86 512 57468408 Fax: +86 512 57468468 E-mail: salesks@wcon.com