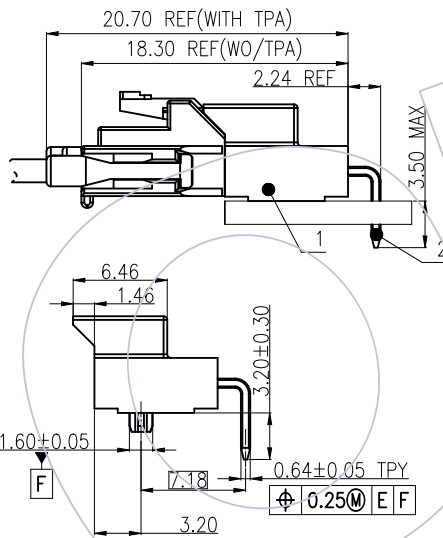
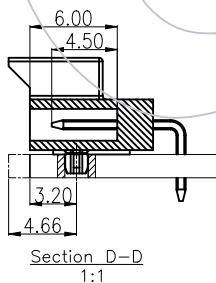
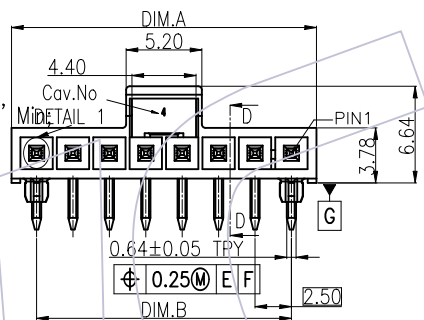
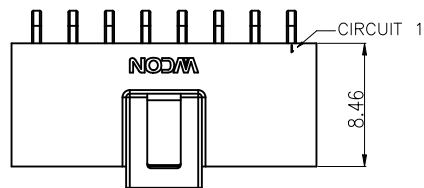


HSF

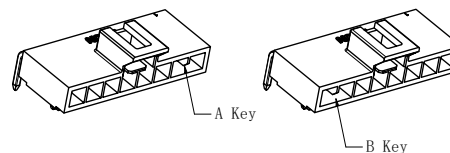
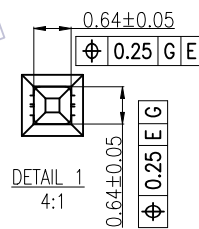
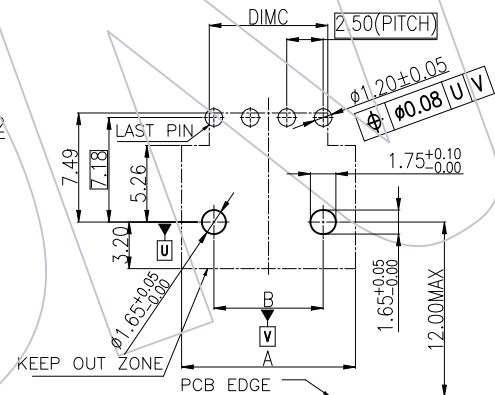
PRELIMINARY

NOTES:

1. Rated Current: See Table 1;
2. Voltage Rating: 250V ;
3. Contact Resistance: Initial: 10mΩ Max.  
Final: 20mΩ Max;
4. Withstand Voltage: 1500V AC;
5. Insulation Resistance: 1000MΩ Min;
6. Operation Temperature: -40°C to +125°C;
7. Contact Material: copper alloy;
8. Contact Plating:  
Under Plating Nickel 50u" ; Solder Area: Bright Tin 60u"
9. Insulator Body Material: LCP, G.F, UL94V-0 ;
10. Recommended process:  
Wave Solder, Peak temperature: 260±5°C, 5S.



RECOMMENDED PCB LAYOUT (CONNECTOR SIDE VIEW)  
TOLERANCE ±0.05  
THICKNESS: 1.60 TO 2.40 MM



Ordering Information

WF 2508-1 WR H XX XX X X 1  
 Single Rows  
 90° Dip  
 High Temperature Plastic  
 NO. Of Pins Per Row  
 02 ~ 8 Pin  
 Package A=Tray  
 Housing Color  
 T=Natural  
 B=Black  
 Contact Plating  
 S1=3u" Gold/Tin  
 S4=15u" Gold/Tin  
 S5=30u" Gold/Tin  
 BLank=Bright Tin

2	Short Terminal	Brass	Whole Pin
1	Body	LCP	1
NO.	Part Name	Material	Q'TY

				OPERATION	DRAW	DATE	SCALE	Fit	PART NO.
				x.	±0.60	2022/06/06	UNIT	mm	WF2508-1WRHXXXXX1
				x.x	±0.40	DATE	SIZE	[inch]	TITLE:
				x.xx	±0.25	DATE	SHEET	A4	2.5*2.5mm Wafer Single Rows,
01	2022/06/06	NEW	Dean.Lin	Angle	± 3'	DATE	PROJ.	1/2	90°DIP
REV	DATE	MODIFICATION DESCRIPTION	CHANGE	DIM	TOL				Customer NO.

**WCON**

Http: www.wcon.com

WCON-Dongguan  
Tel: +86 769 85358920  
Fax: +86 769 85358915  
E-mail: sales@wcon.com

WCON-Kunshan  
Tel: +86 512 57468408  
Fax: +86 512 57468468  
E-mail: salesks@wcon.com

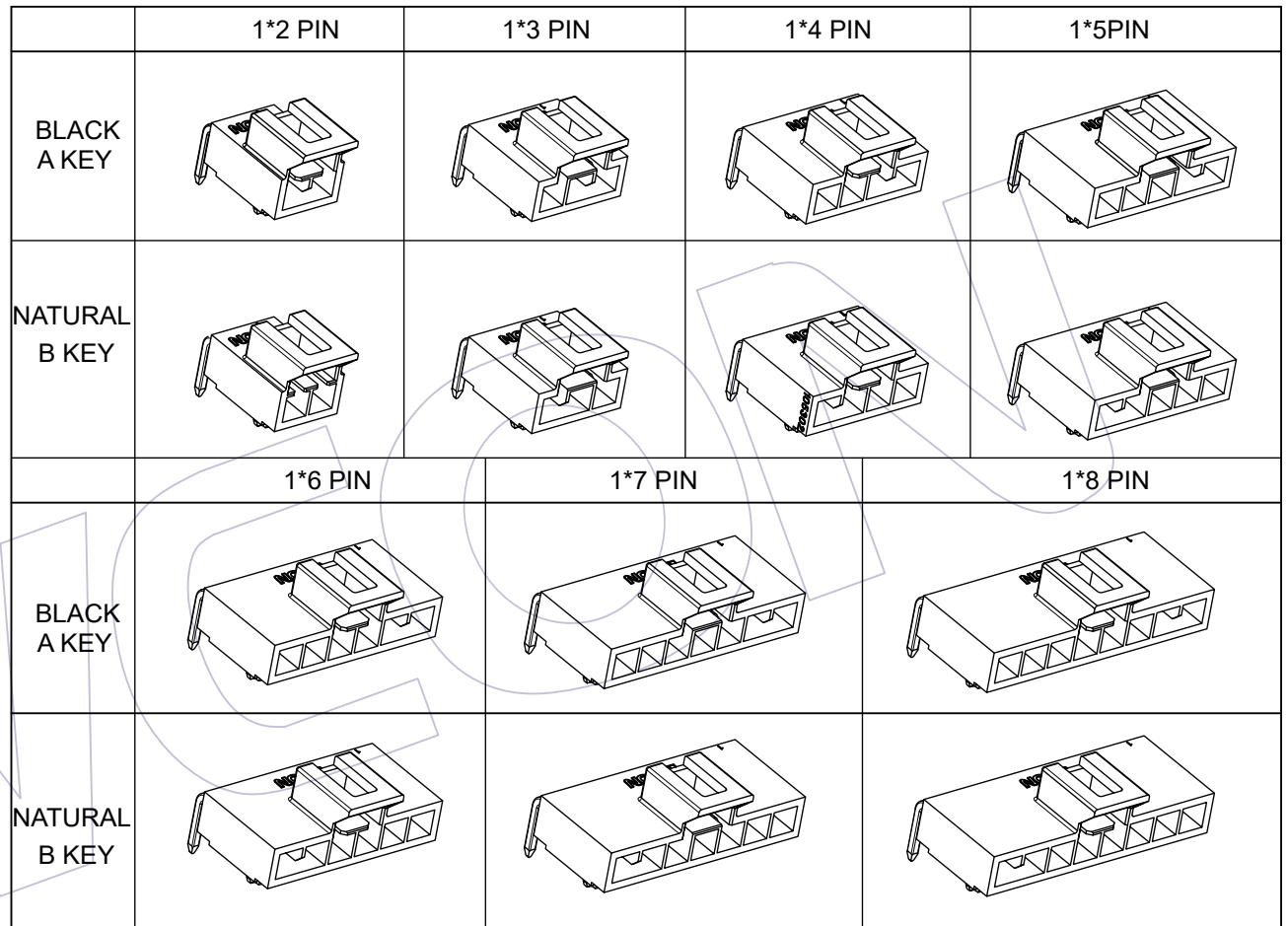
**HSF**

**PRELIMINARY**

Pin	DIM.		
	A	B	C
02	5.94	2.50	3.14
03	8.44	5.00	5.64
04	10.94	7.50	8.14
05	13.44	10.00	10.64
06	15.94	12.50	13.14
07	18.44	15.00	15.64
08	20.94	17.50	18.14

Connector fully loaded with all circuits powered

PIN Current AWG Rating	Ckt Size(Single row)						
	1*2	1*3	1*4	1*5	1*6	1*7	1*8
20	8.0	7.7	7.5	7.2	7.0	6.7	6.5
22	6.5	6.1	5.8	5.5	5.1	4.8	4.5
24	6.0	5.7	5.5	5.2	5.0	4.7	4.5
26	5.0	4.7	4.5	4.2	4.0	3.7	3.5



3D VIEW

REV	DATE	MODIFICATION DESCRIPTION	CHANGE	OPERATION	DRAW	DATE	SCALE	Fit	PART NO.
01	2022/06/06	NEW	Dean.Lin	x. ±0.60	Dean.Lin	2022/06/06	UNIT	mm [inch]	WF2508-1WRHXXXXX1
				x.X ±0.40	CHECK	DATE	SIZE	A4	TITLE: 2.5*2.5mm Wafer Single Rows, 90°DIP
				x.XX ±0.25	APPROVE	DATE	SHEET	2/2	Customer NO.
				Angle ± 3°			PROJ.		
				DIM TOL					

**WCON**

Http: www.wcon.com

WCON-Dongguan Tel: +86 769 85358920  
WCON-Kunshan Tel: +86 512 57468408  
Fax: +86 769 85358915  
E-mail: sales@wcon.com  
Fax: +86 512 57468468  
E-mail: salesks@wcon.com