

HSF

PRELIMINARY

NOTES:

Rated Current: 3.0A
 Rated Voltage: 250V
 Contact Resistance: 20mΩ Max.
 Withstand Voltage: 1500V
 Insulation Resistance: 1000MΩ Min.
 Operation Temperature: -40°C to +125°C
 Housing Material: PA46,G.F,UL94V-0,Colour(See PN)
 TPA Material: PA46,G.F,UL94V-0,Colour: Black/White

Ordering Information

WF2508 - 1 H H XX X X 01

Row
1=Single

Class shape code
H=Housing(TPA)

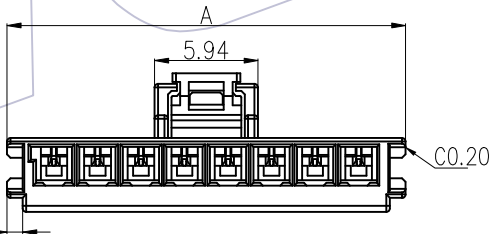
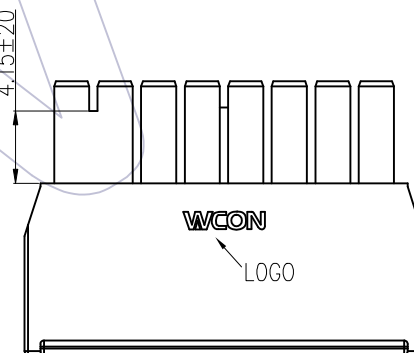
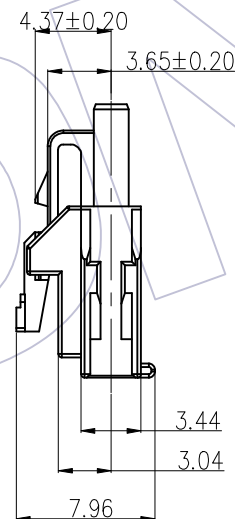
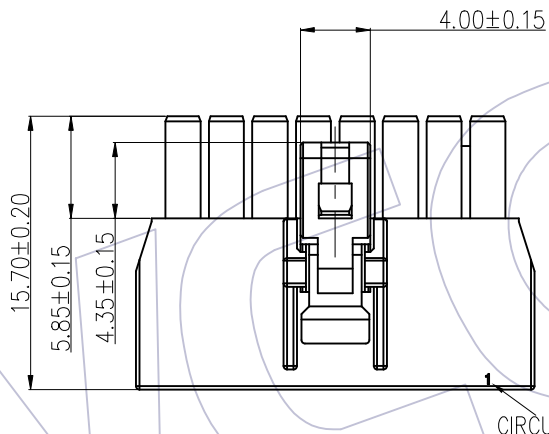
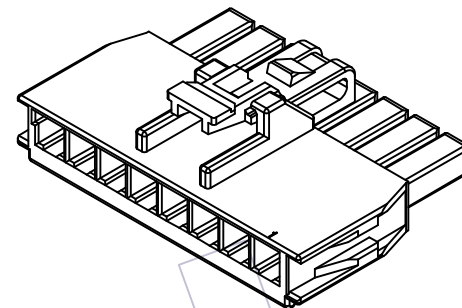
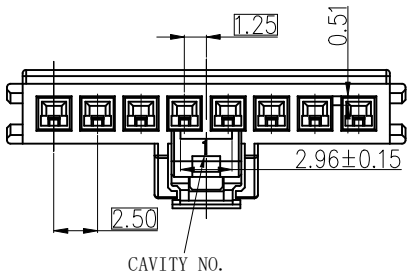
HSG material characteristics
H=High temperature resistance

Internal code

Packaging code
A=Tray
0=PE

HSG Colour
B=Black
T=Natural

NO.of PIN
02=2 Pin
.....
08=8 Pin



08	22.90±0.25
07	20.20±0.25
06	17.70±0.25
05	15.20±0.25
04	12.70±0.25
03	10.20±0.25
02	7.70±0.25
Pin	A

OPERATION

DRAW

DATE

SCALE

PART NO.

WF2508-1HHXXX01

x.x ±0.40

Dean Liu

2023/04/03

1:1

TITLE:

2.5mm HOUSING SINGLE CONNECTOR

x.xx ±0.25

CHECK

DATE

mm

Customer NO.

x.xxx ±0.15

APPROVE

DATE

A4

Angle ± 3°

DIM TOL

DATE

1/4

A0

2023/04/03

NEW

CHANGE

REV

DATE

MODIFICATION DESCRIPTION

WCON

Http: www.wcon.com

WCON-Dongguan
 Tel: +86 769 85358920
 Fax: +86 769 85358915
 E-mail: sales@wcon.com

WCON-Kunshan
 Tel: +86 512 57468408
 Fax: +86 512 57468468
 E-mail: salesks@wcon.com