

HSF

Ordering Information

6326M - 014 S 00 P 0 0X

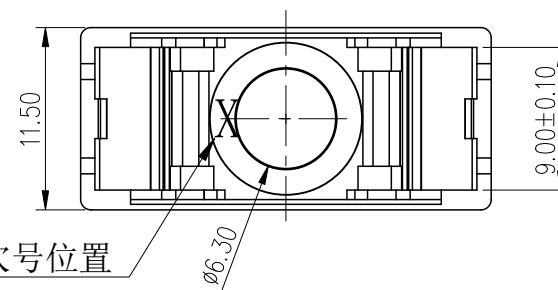
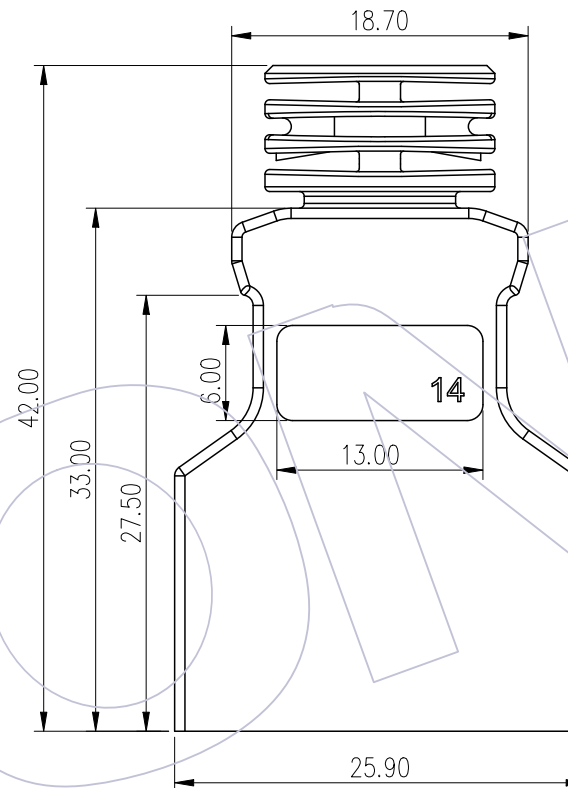
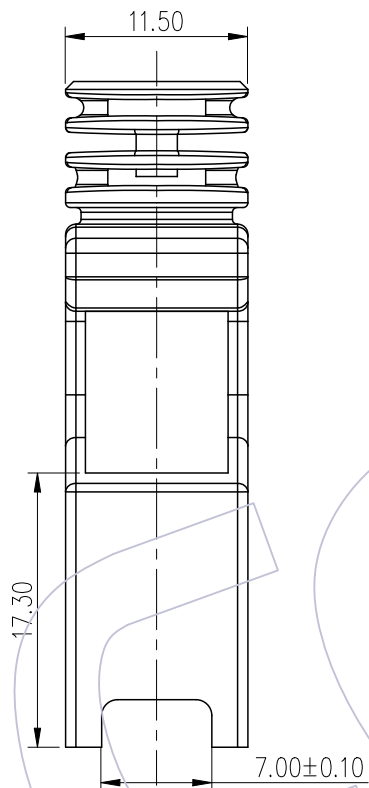
NO.of pins
14P

Contact Plating
00=NO contact

Shell material
P=Plastic

Packing
0=BAG

Housing&Handle
Color
01=Gray
02=Black
03=Natural



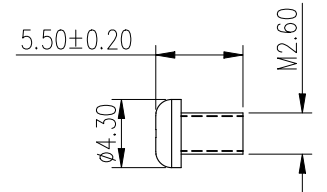
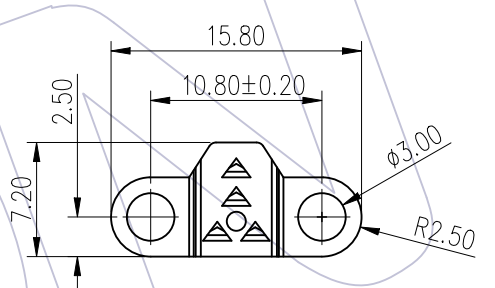
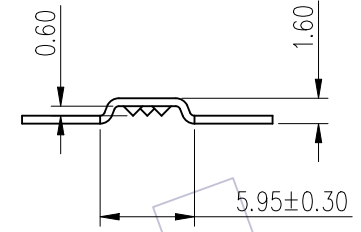
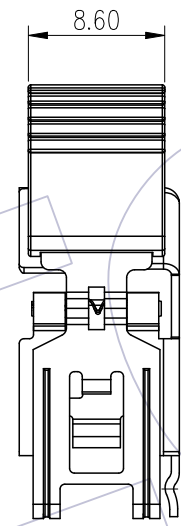
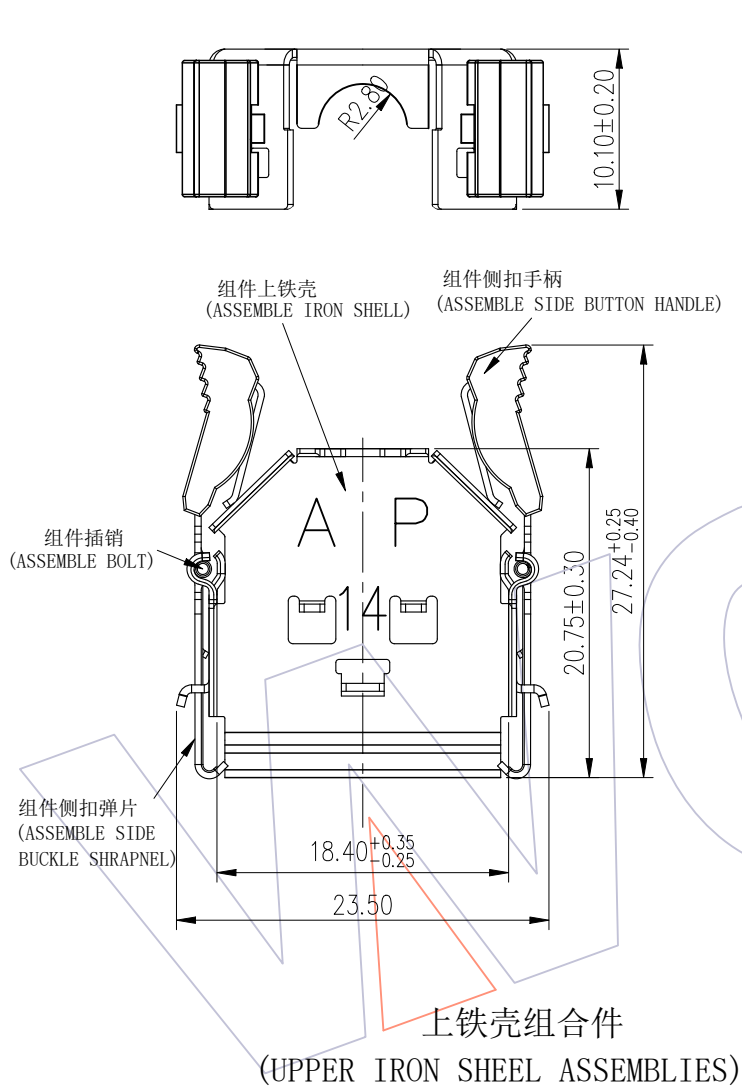
塑胶外壳
(Plastic Housing)

				OPERATION	DRAW	DATE	SCALE	FIT	PART NO.
				X.X	±0.40	XSR	UNIT	mm	6326M-014S00P00X
				X.XX	±0.25	CHECK	SIZE	A4	TITLE:
				X.XXX	±0.15		SHEET	1/3	SCSI ASSEMBLE(14PIN) (8PCS)
A0	2021/11/20	NEW	/	Angle	± 3°	APPROVE	PROJ.	Customer NO.	
REV	DATE	MODIFICATION DESCRIPTION	CHANGE	DIM	TOL				

WCON
Http: www.wcon.com

WCON-Dongguan Tel: +86 769 85358920 Fax: +86 769 85358915 E-mail: sales@wcon.com
WCON-Kunshan Tel: +86 512 57468408 Fax: +86 512 57468468 E-mail: sales@wcon.com

HSF



上铁壳组合件
(UPPER IRON SHEEL ASSEMBLIES)

组件螺丝
(ASSEMBLE SCREW)

				OPERATION	DRAW	DATE	SCALE	FIT	PART NO.
				X.X ±0.40	XSR	2021/11/20	UNIT	mm	6326M-014S00P00X
				X.XX ±0.25	CHECK	DATE	SIZE	A4	TITLE:
				X.XXX ±0.15			SHEET	2/3	SCSI ASSEMBLE(14PIN) (8PCS)
A0	2021/11/20		NEW	Angle ± 3°	APPROVE	DATE	PROJ.	⊕	Customer NO.
REV	DATE		MODIFICATION DESCRIPTION	DIM TOL					

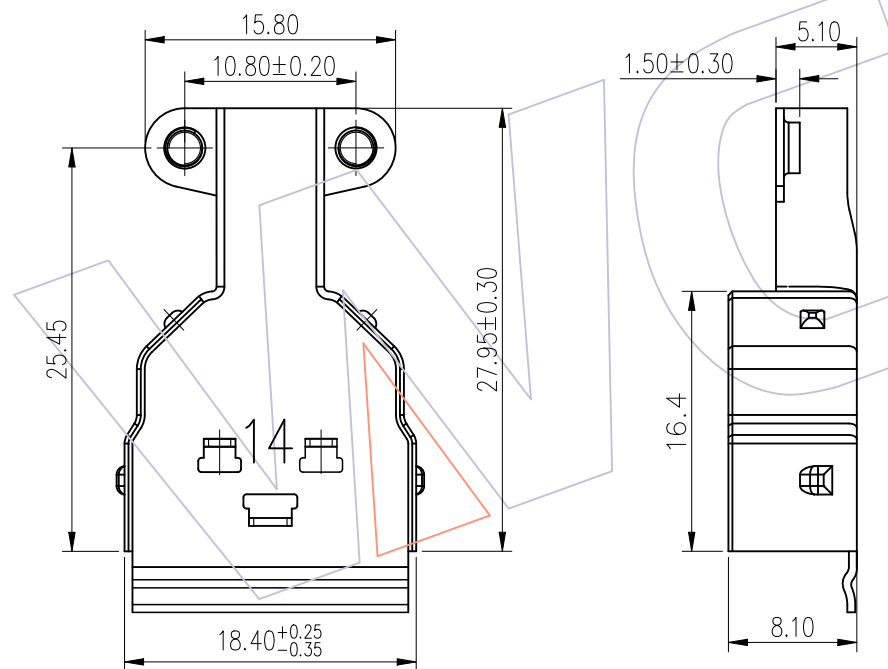
WCON
Http: www.wcon.com

WCON-Dongguan
Tel: +86 769 85358920
Fax: +86 769 85358915
E-mail: sales@wcon.com

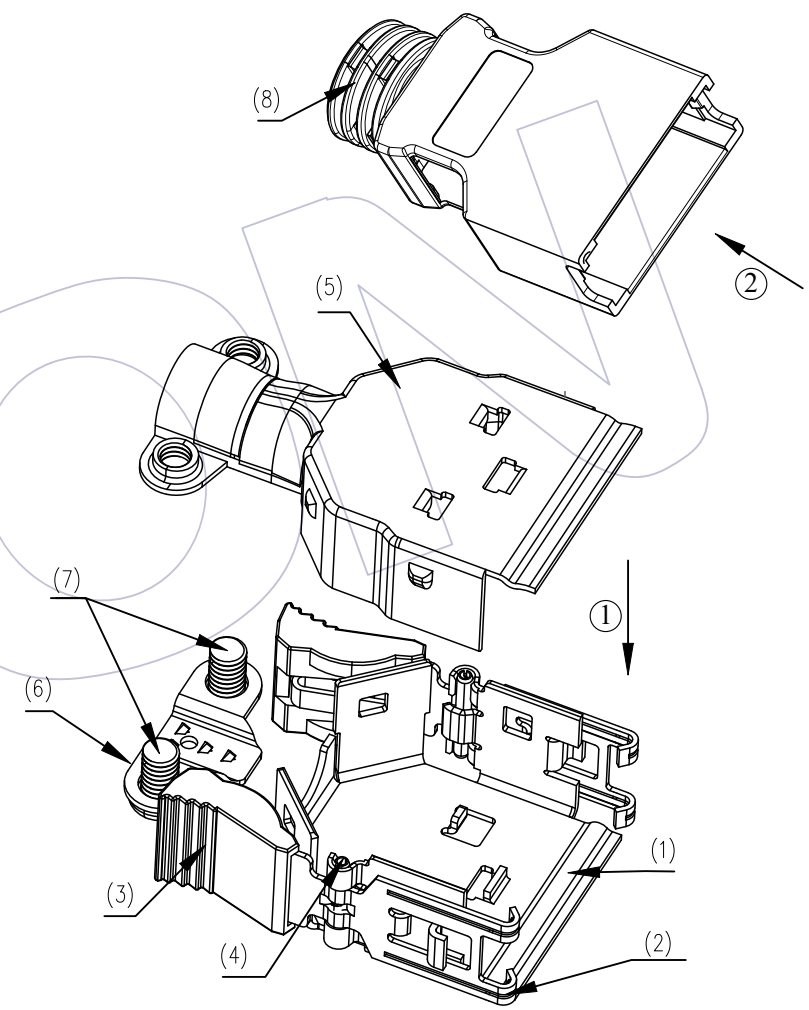
WCON-Kunshan
Tel: +86 512 57468408
Fax: +86 512 57468468
E-mail: sales@wcon.com

HSF

(8)	PLASTIC HOUSING	G6326M-014XS01	1	ABS Black/Gray/Natural
(7)	SCREW	L6326-SNI01	2	C1018A Plating Ni
(6)	CLAMP	B6326-014PNI01	1	C5191-H,T=0.5 Plating Ni
(5)	LOWER IRON SHELL	M6326-014DNI02	1	SPCC,T=0.5,Plating Ni
(4)	BOLT	I6326-SM001	2	SUS301
(3)	SIDE BUTTON HANDLE	G6326-XJ01	2	PC+ABS Black/Gray/Natural
(2)	SIDE BUCKLE SHRAPNEL	K6326-SM001A	2	SUS301
(1)	UPPER IRON SHELL	M6326-014DNI01	1	SPCC,T=0.5,Plating Ni
ITEM	Descriptionn	Part Number	Q'TY	Materials



组件下铁壳
(ASSEMBLE LOWER IRON SHELL)



3D组装示意图
3D ASSEMBLY SKETCH

				OPERATION		DRAW		DATE		SCALE		FIT		PART NO.	
				X.X ±0.40		XSR		2021/11/20		UNIT		mm		6326M-014S00P00X	
				X.XX ±0.25		CHECK		DATE		SIZE		A4		TITLE:	
				X.XXX ±0.15		APPROVE		DATE		SHEET		3/3		SCSI ASSEMBLE(14PIN) (8PCS)	
A0		2021/11/20		NEW		/				PROJ.		Customer NO.			
REV	DATE	MODIFICATION DESCRIPTION		CHANGE	Angle ± 3°										
					DIM TOL										

WCON
Http: www.wcon.com

WCON-Dongguan
Tel: +86 769 85358920
Fax: +86 769 85358915
E-mail: sales@wcon.com

WCON-Kunshan
Tel: +86 512 57468408
Fax: +86 512 57468468
E-mail: sales@wcon.com