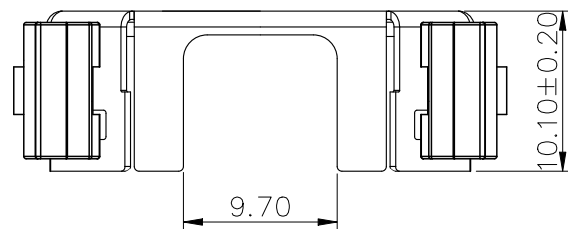


HSF

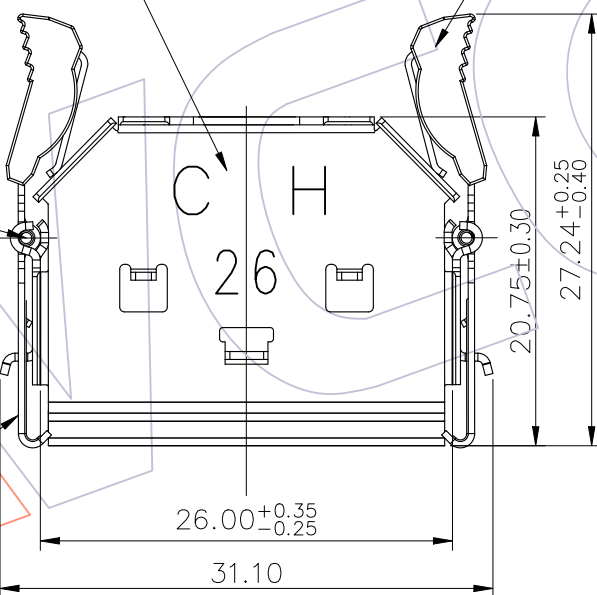
Ordering Information

6326- 026 S 00 M 0 0X $\triangle A1$

NO. of pins 26P
 Contact Plating 00=NO contact
 Shell material M=Metal
 Handle Color 01=Gray 02=Black 03=Natural
 Packing 0=BAG



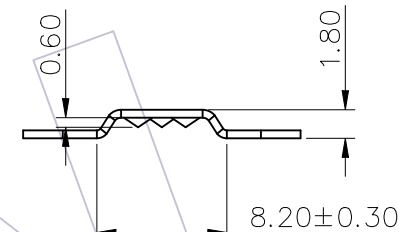
组件上铁壳 (ASSEMBLE IRON SHELL)
 组件侧扣手柄 (ASSEMBLE SIDE BUTTON HANDLE)



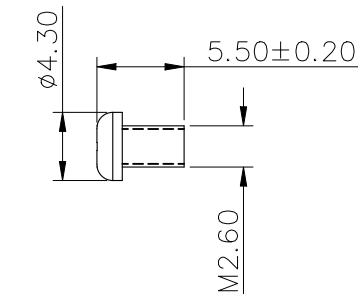
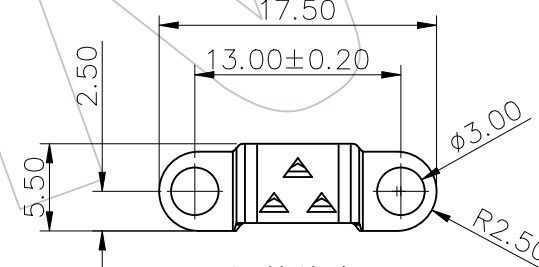
组件插销 (ASSEMBLE BOLT)

组件侧扣弹片 (ASSEMBLE SIDE BUCKLE SHRAPNEL)

上铁壳组合件 (UPPER IRON SHEEL ASSEMBLIES)



组件线夹 (ASSEMBLE CLAMP)



组件螺丝 (ASSEMBLE SCREW)

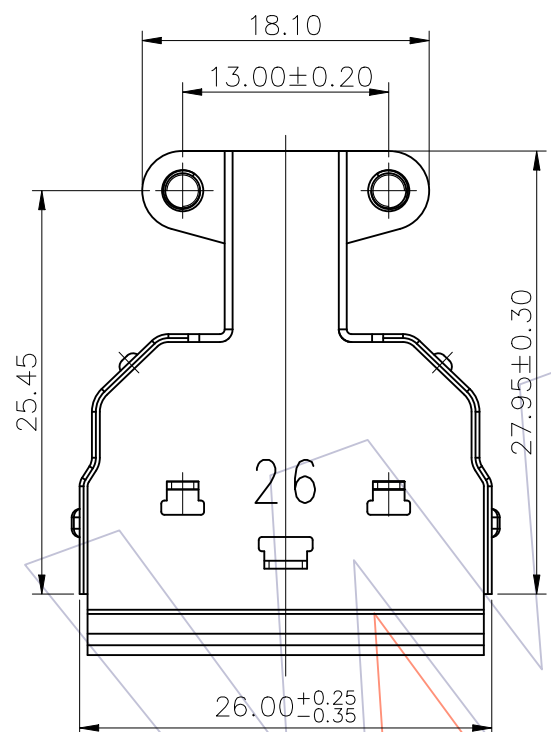
				OPERATION	DRAW	DATE	SCALE	FIT	PART NO.
				X.X ±0.40	XSR	2021/11/20	UNIT	mm	6326-026S00M00X $\triangle A1$
A1	2021/11/20	Modify P/N	XSR	X.XX ±0.25	CHECK	DATE	SIZE	A4	TITLE:
A0	2019/04/19	NEW	/	X.XXX ±0.15	APPROVE	DATE	SHEET	1/2	SCSI ASSEMBLE(26PIN) (7PCS)
REV	DATE	MODIFICATION DESCRIPTION	CHANGE	Angle ± 3°			PROJ.	ϕ	Customer NO.
				DIM TOL					

WCON

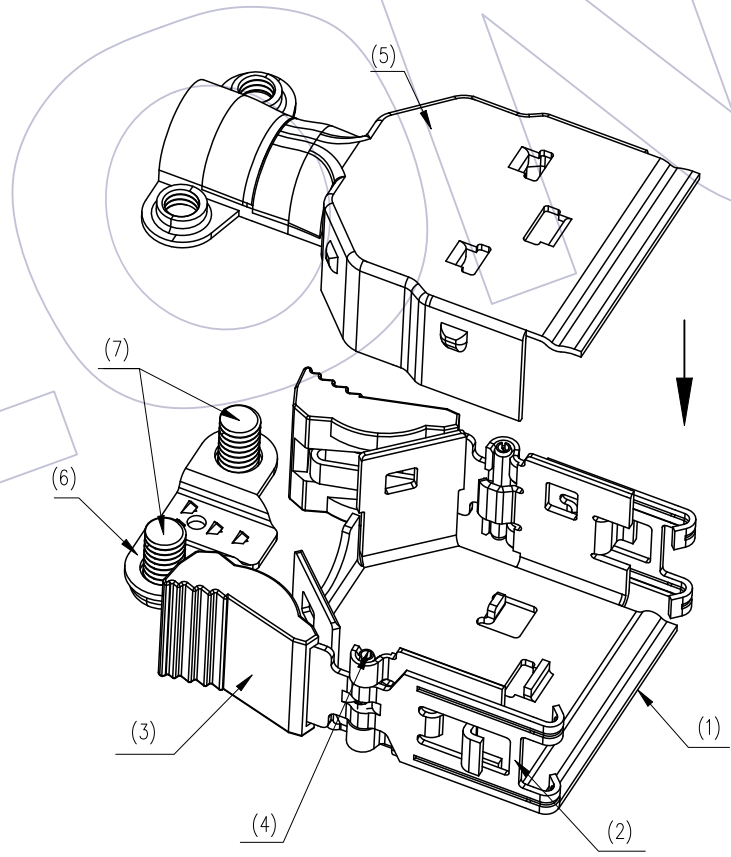
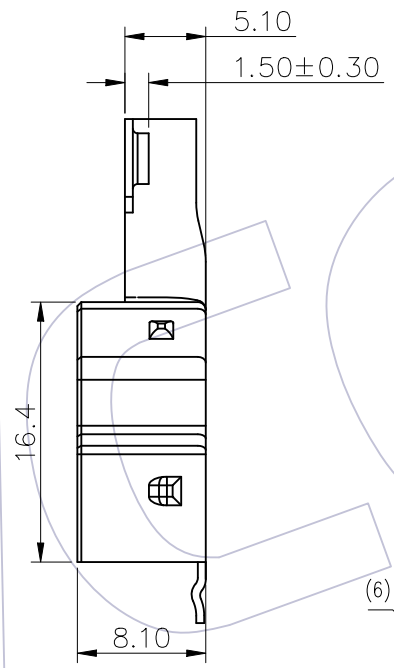
Http: www.wcon.com

WCON-Dongguan Tel: +86 769 85358920
 WCON-Kunshan Tel: +86 512 57468408
 Fax: +86 769 85358915 Fax: +86 512 57468468
 E-mail: sales@wcon.com E-mail: salesks@wcon.com

HSF



组件下铁壳
(ASSEMBLE LOWER IRON SHELL)



3D 组装示意图
3D ASSEMBLY SKETCH

(7)	SCREW	L6326-SNI01	2	C1018A Plating Ni
(6)	CLAMP	B6326-026PNI01	1	C5191-H,T=0.5 Plating Ni
(5)	LOWER IRON SHELL	M6326-026DNI02	1	SPCC,T=0.5,Plating Ni
(4)	BOLT	I6326-SM001	2	SUS301
(3)	SIDE BUTTON HANDLE	G6326-XJ01	2	PC+ABS Black/Gray/Natural
(2)	SIDE BUCKLE SHRAPNEL	K6326-SM001A	2	SUS301
(1)	UPPER IRON SHELL	M6326-026DNI01	1	SPCC,T=0.5,Plating Ni
ITEM	Descriptionn	Part Number	Q'TY	Materials

REV	DATE	MODIFICATION DESCRIPTION	CHANGE
A1	2021/11/20	Modify P/N	XSR
A0	2019/04/19	NEW	/

OPERATION	
x.x	±0.40
x.xx	±0.25
x.xxx	±0.15
Angle	± 3°
DIM	TOL

DRAW	XSR
CHECK	
APPROVE	

DATE	2021/11/20
DATE	
DATE	

SCALE	FIT
UNIT	mm
SIZE	A4
SHEET	2/2
PROJ.	

PART NO.	6326-026S00M00X \triangle
TITLE:	SCSI ASSEMBLE(26PIN) (7PCS)
Customer NO.	

WCON
Http: www.wcon.com

WCON-Dongguan Tel: +86 769 85358920 Fax: +86 769 85358915 E-mail: sales@wcon.com
WCON-Kunshan Tel: +86 512 57468408 Fax: +86 512 57468468 E-mail: sales@wcon.com