

# HSF

**NOTES:**

Current Rating: 5.0 AMP  
 Voltage Rating: 250V AC/DC  
 Temperature Range: -25°C to +85°C  
 Contact Resistance: 10mΩ Max.  
 Insulation Resistance: 1000MΩ Min.  
 Withstanding Voltage: 1000V AC/Minute  
 Material: PA66(UL94V-0)  
 Color: Black

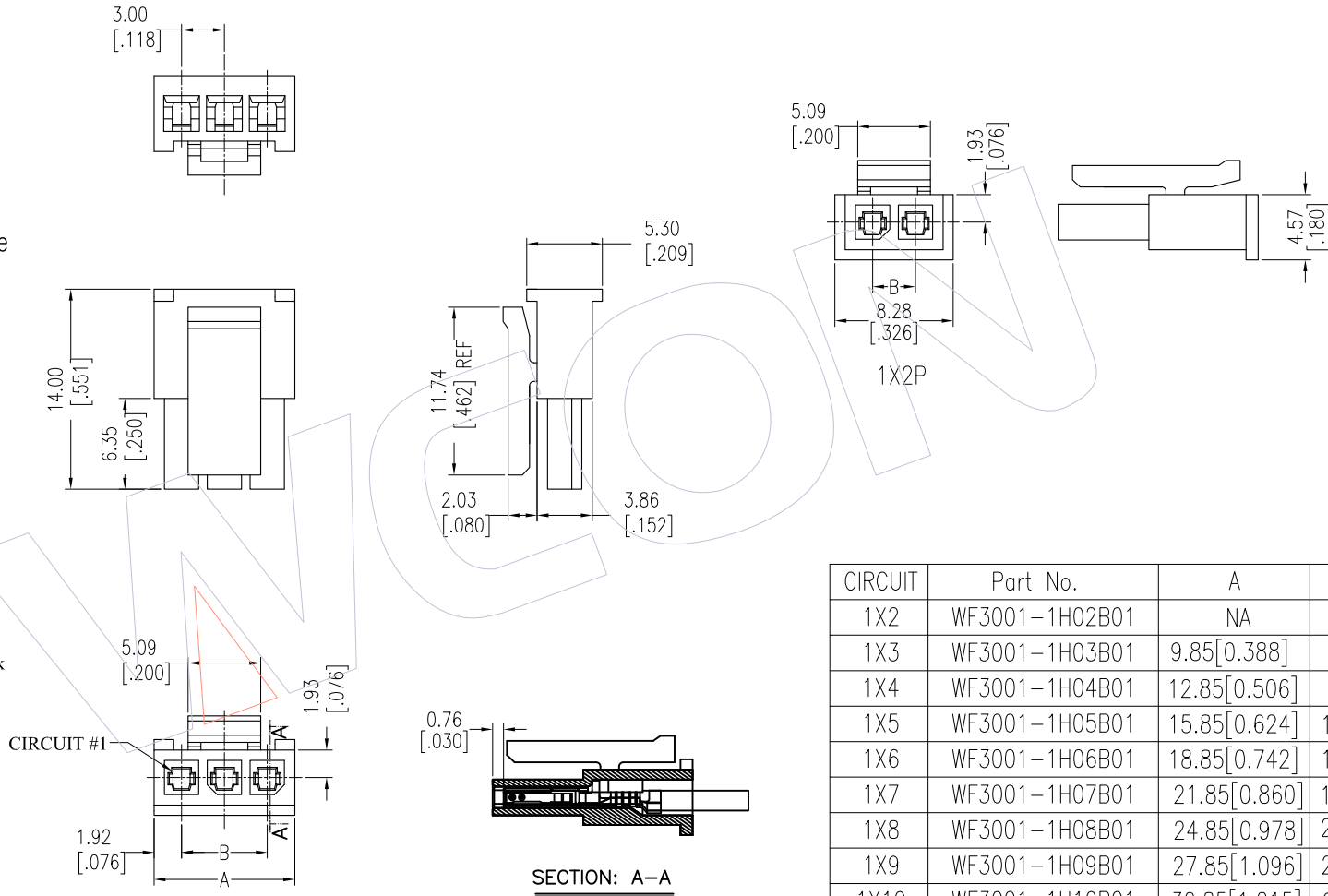
## Ordering Information

**WF3001-1H XX B 01**

Terminal Shape  
H:HOUSING

No.of Pins  
02-12P

Colour:  
B:Black



CIRCUIT	Part No.	A	B
1X2	WF3001-1H02B01	NA	3.00[0.118]
1X3	WF3001-1H03B01	9.85[0.388]	6.00[0.236]
1X4	WF3001-1H04B01	12.85[0.506]	9.00[0.354]
1X5	WF3001-1H05B01	15.85[0.624]	12.00[0.472]
1X6	WF3001-1H06B01	18.85[0.742]	15.00[0.591]
1X7	WF3001-1H07B01	21.85[0.860]	18.00[0.709]
1X8	WF3001-1H08B01	24.85[0.978]	21.00[0.827]
1X9	WF3001-1H09B01	27.85[1.096]	24.00[0.945]
1X10	WF3001-1H10B01	30.85[1.215]	27.00[1.063]
1X11	WF3001-1H11B01	33.85[1.333]	30.00[1.181]
1X12	WF3001-1H12B01	36.85[1.451]	33.00[1.299]

REV	DATE	MODIFICATION DESCRIPTION	CHANGE	OPERATION	DRAW	DATE	SCALE	FIT	PART NO.
AO	2013/05/15	NEW	-----	x.x ±0.40	JYHuang	2013/05/15	UNIT mm		WF3001-1HXXB01
				x.xx ±0.25	CHECK	DATE	SIZE A4		TITLE: 3.00 mm SINGLE ROW HOUSING
				x.xxx ±0.15	APPROVE	DATE	SHEET 1/1		Customer NO.
				Angle ± 3'			PROJ.		
				DIM TOL					

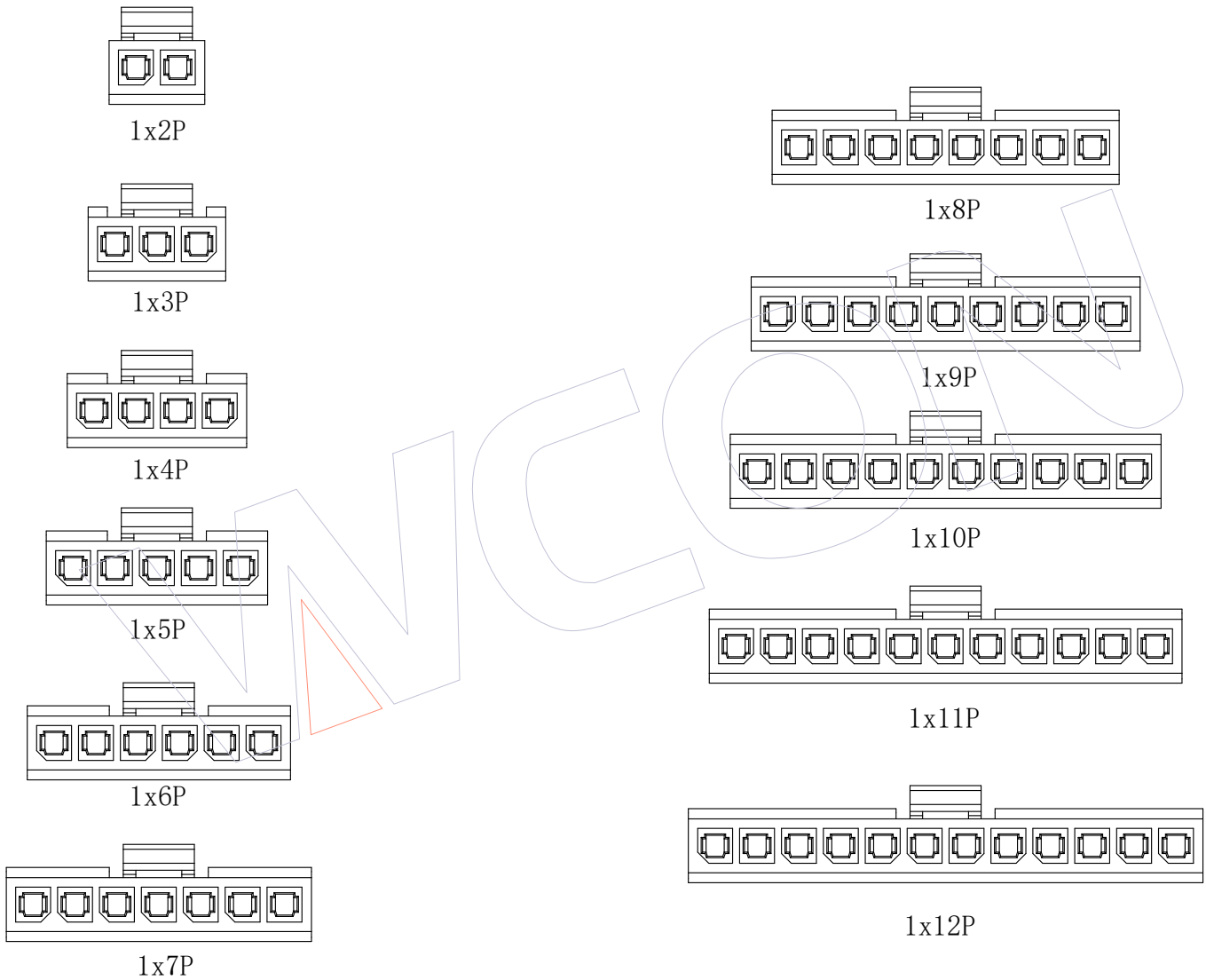
# WCON

Http: www.wcon.com

WCON-Dongguan Tel: +86 769 85358920 Fax: +86 769 85358915 E-mail: sales@wcon.com  
 WCON-Kunshan Tel: +86 512 57468408 Fax: +86 512 57468468 E-mail: salesks@wcon.com

HSF

# 02-12P 防呆示意图



				OPERATION	DRAW	DATE	SCALE	FIT	PART NO.
				x.x ±0.40	JYHuang	2013/05/15	UNIT	mm	WF3001-1HXXX01
				x.xx ±0.25	CHECK	DATE	SIZE	A4	TITLE:
				x.xxx ±0.15	APPROVE	DATE	SHEET	1/1	3.00 mm SINGLE ROW HOUSING
A0	2013/05/15	NEW	-----	Angle ± 3°			PROJ.	⌀	Customer NO.
REV	DATE	MODIFICATION DESCRIPTION	CHANGE	DIM	TOL				

**WCON**  
[Http: www.wcon.com](http://www.wcon.com)

WCON-Dongguan      WCON-Kunshan  
 Tel: +86 769 85358920      Tel: +86 512 57468408  
 Fax: +86 769 85358915      Fax: +86 512 57468468  
 E-mail: sales@wcon.com      E-mail: salesks@wcon.com