

HSF

NOTES:

Current Rating:4.11A/Pin(AT 30°C Rise, 20% Derated)

Voltage Rating:400V/AC

Contact Resistance:20mΩ Max.

Withstand Voltage:1500V AC

Insulation Resistance:1000MΩ Min.

Operation Temperature:-40°C to +105°C

Insulator Material:LCP,G.F,UL94V-0,Black

Contact Material: Copper Alloy

Contact plating:

SM: 100u" Matte Tin Over 50u" Nickel

Recommended Process:

IR Stove,Peak temperature: 260±5°C

Recommended P.C.B Layout(Top Side)
(PCB BOARD TOLERANCE±0.05)
PCB BOARD THICKNESS:1.6~2.0

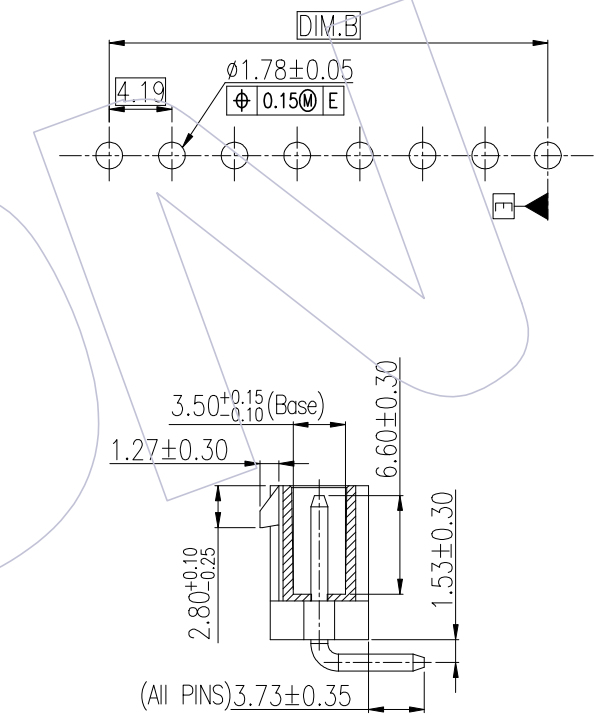
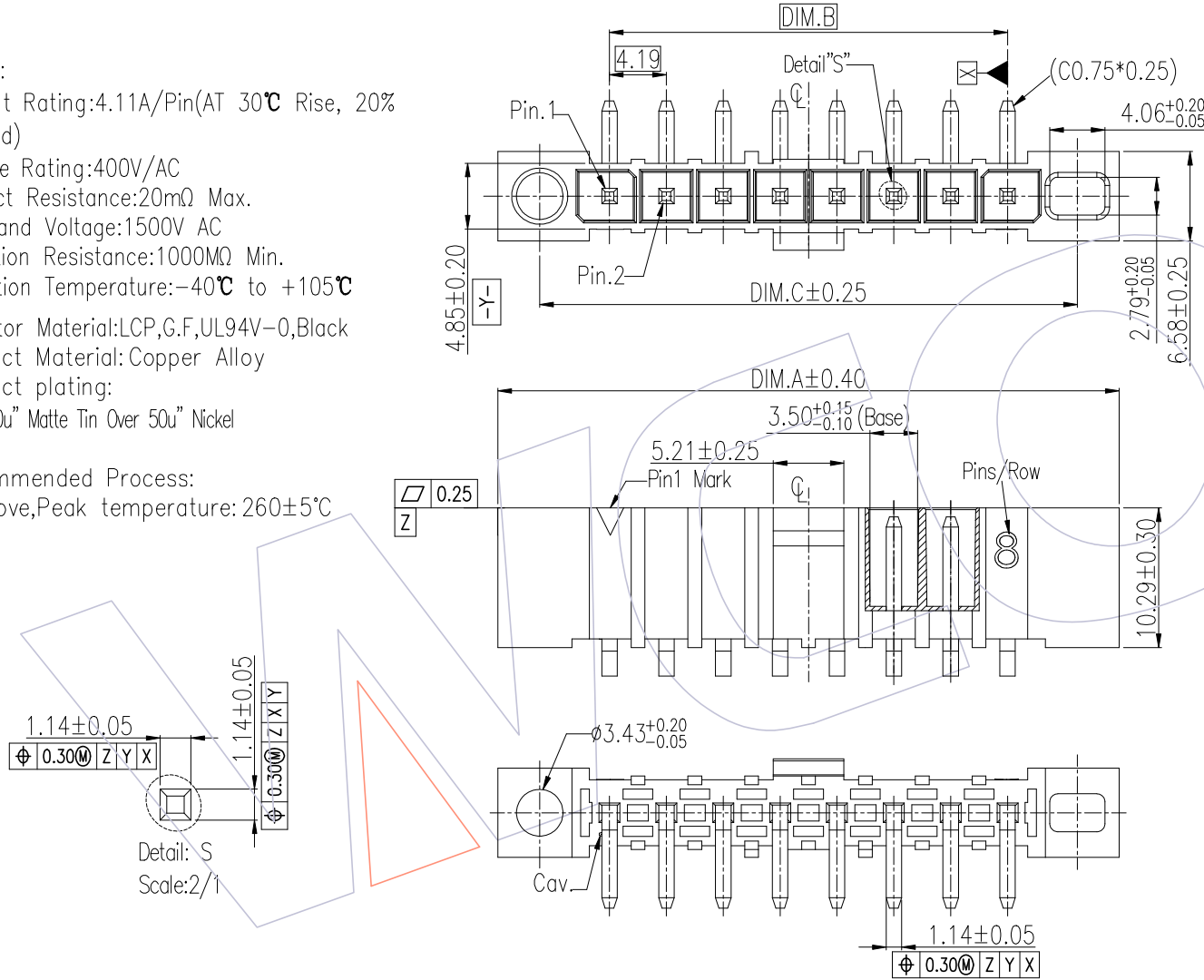


Table.1:

Pin No.	Part No.	DIM.A	DIM.B	DIM.C
2P	WF4191D-1WR02XXBX1	20.65	4.19	14.48
3P	WF4191D-1WR03XXBX1	24.84	8.38	18.67
4P	WF4191D-1WR04XXBX1	29.03	12.57	22.86
5P	WF4191D-1WR05XXBX1	33.22	16.76	27.05
8P	WF4191D-1WR08XXBX1	45.79	29.33	39.62
10P	WF4191D-1WR10XXBX1	54.17	37.71	48.00

			OPERATION	DRAW	DATE	SCALE	Fit	PART NO.		WCON
			x.x ±0.40	Andrey	2020/12/09	UNIT	mm	WF4191D-1WRXXXXBX1		
			x.xx ±0.25	CHECK	DATE	SIZE	A4	TITLE:		WCON-Dongguan Tel: +86 769 85358920 Fax: +86 769 85358915 E-mail: sales@wcon.com
			x.xxx ±0.15	APPROVE	DATE	SHEET	1/4	4.19mm Wafer,Single Row,R/A DIP, DIP Height=3.73mm,W/T Localizable Hole		
AO	2020/12/09	NEW RELEASE	Andrey			PROJ.	Customer NO.			
REV	DATE	MODIFICATION DESCRIPTION	CHANGE							

HSF

Ordering Information

WF 4191 D -1 WR XX SM B T 1

Company Code

Series Code:

419= 4.19mm Pitch

1= First series

Specification Code:

D=W/T Localizable Hole

Row Code:

1=Single Row

2=Double Row

Type Code:

WR=90° DIP

Wcon Internal Code:

1~9

Packing:

T=TUBE

Color:

B=Black

Contact Plating:

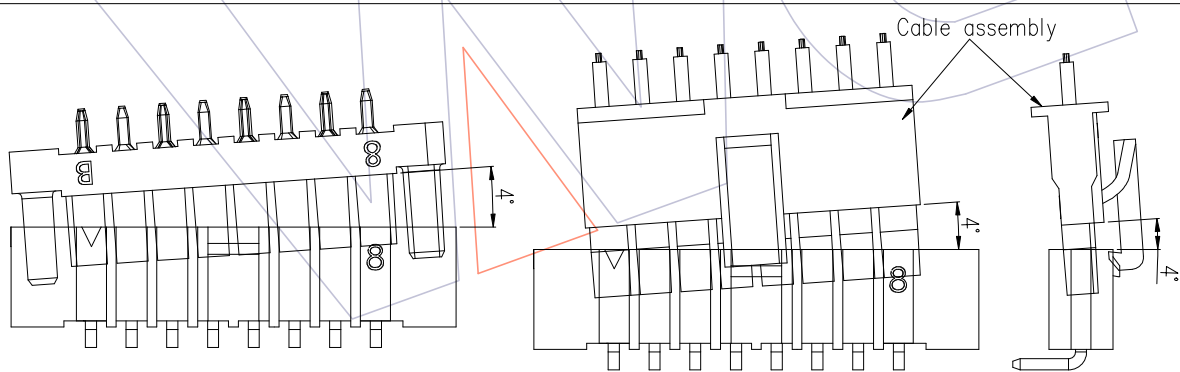
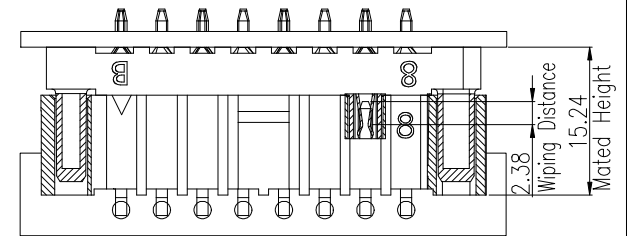
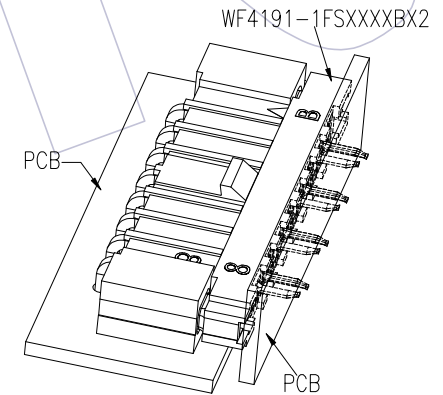
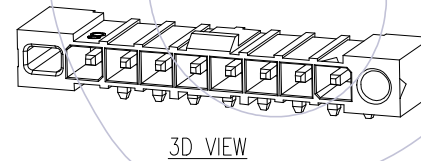
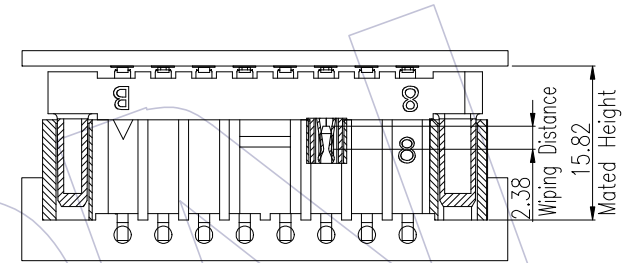
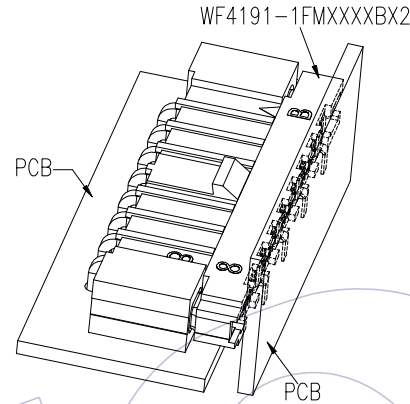
SM: 100u" Matte Tin

Over 50u" Nickel

No. of Pins:

2P~10P

ALLOWED ANGULAR INCLINATION
TOLERANCES LONGITUDINAL: ±4°



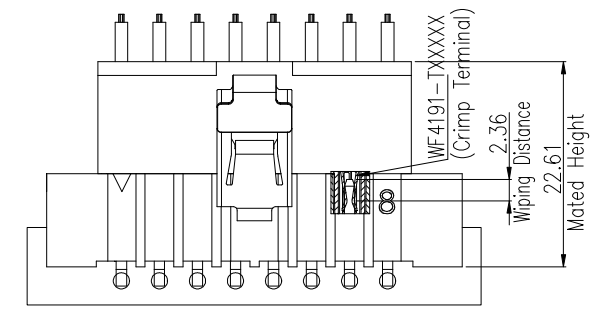
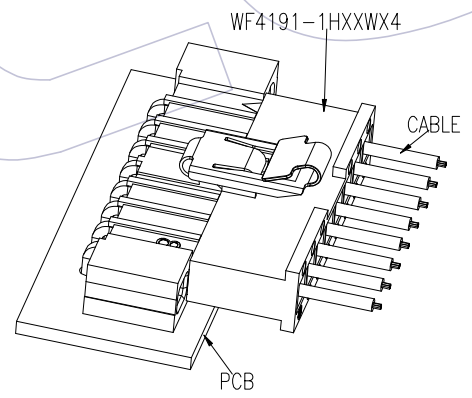
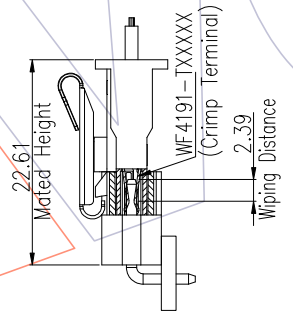
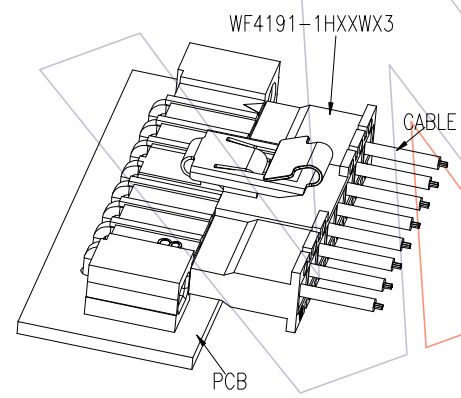
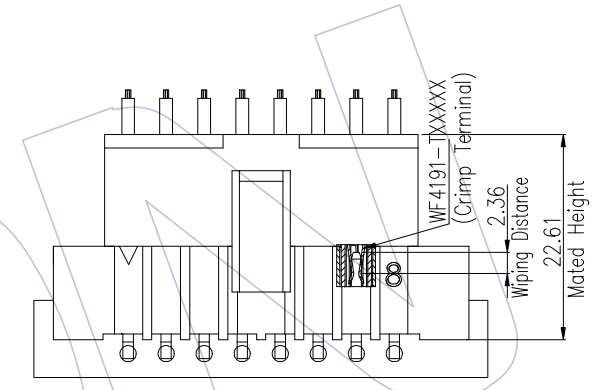
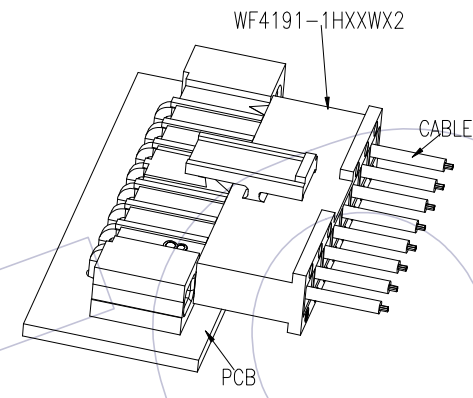
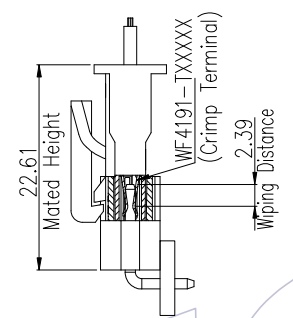
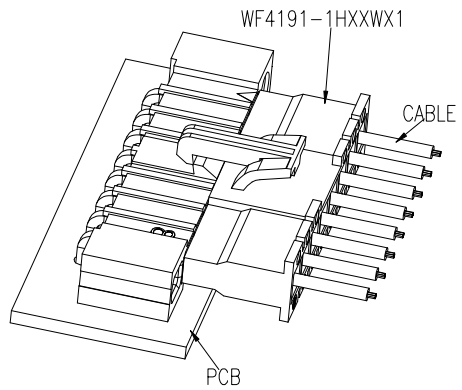
				OPERATION	DRAW	DATE	SCALE	Fit	PART NO.
				x.x ±0.40	Andrey	2020/12/09	UNIT	mm	WF4191D-1WRXXXXBX1
				x.xx ±0.25	CHECK	DATE	SIZE	A4	TITLE:
				x.xxx ±0.15	APPROVE	DATE	SHEET	2/4	4.19mm Wafer, Single Row, R/A DIP,
AO	2020/12/09	NEW RELEASE	Andrey	Angle ± 3'			PROJ.	Customer NO.	DIP Height=3.73mm, W/T Localizable Hole
REV	DATE	MODIFICATION DESCRIPTION	CHANGE	DIM TOL					

WCON

Http: www.wcon.com

WCON-Dongguan Tel: +86 769 85358920 Fax: +86 769 85358915 E-mail: sales@wcon.com
WCON-Kunshan Tel: +86 512 57468408 Fax: +86 512 57468468 E-mail: salesks@wcon.com

HSF



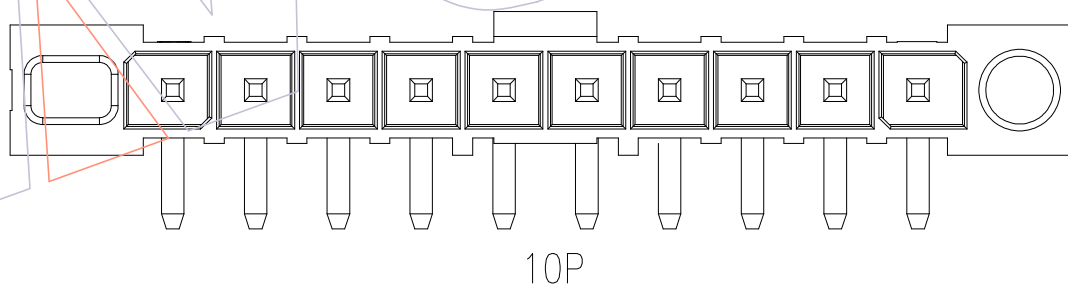
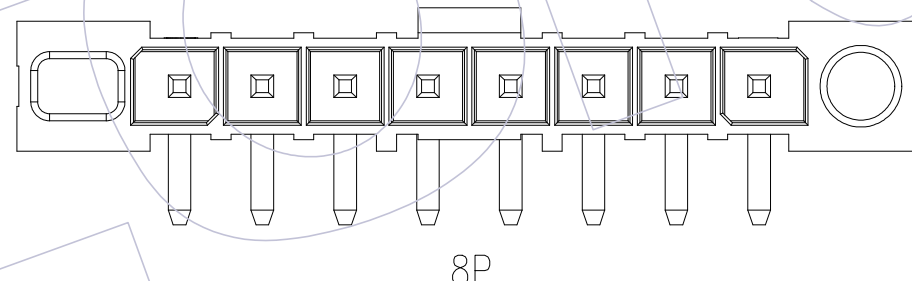
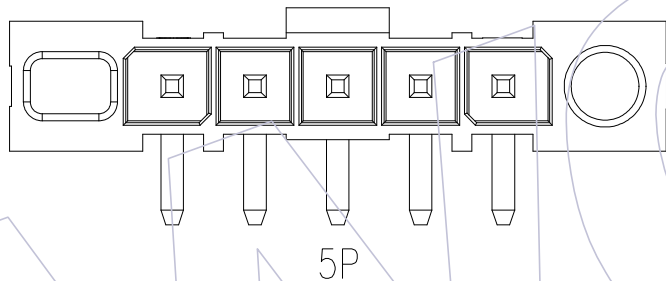
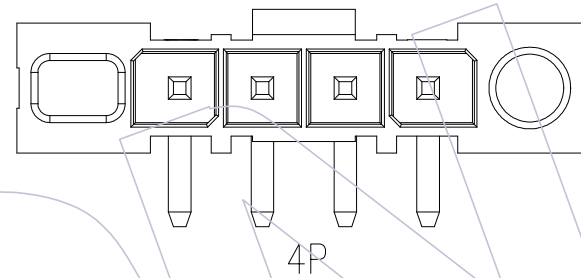
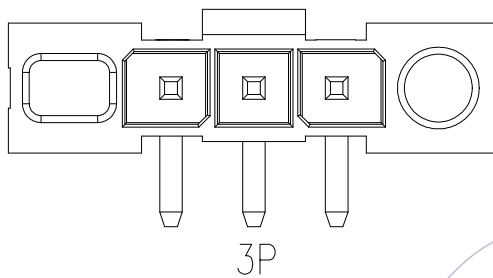
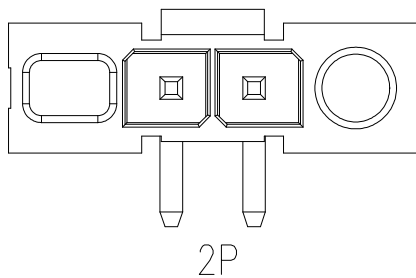
				OPERATION	DRAW	DATE	SCALE	Fit	PART NO.
				x.x ±0.40	Andrey	2020/12/09	UNIT	mm	WF4191D-1WRXXXXBX1
				x.xx ±0.25	CHECK	DATE	SIZE	A4	TITLE:
AO	2020/12/09	NEW RELEASE	Andrey	x.xxx ±0.15	APPROVE	DATE	SHEET	3/4	4.19mm Wafer, Single Row, R/A DIP, DIP Height=3.73mm, W/T Localizable Hole
REV	DATE	MODIFICATION DESCRIPTION	CHANGE	Angle ± 3'			PROJ.	⌀	Customer NO.
				DIM TOL					

WCON
 Http: www.wcon.com

WCON-Dongguan
 Tel: +86 769 85358920
 Fax: +86 769 85358915
 E-mail: sales@wcon.com

WCON-Kunshan
 Tel: +86 512 57468408
 Fax: +86 512 57468468
 E-mail: salesks@wcon.com

HSF



				OPERATION	DRAW	DATE	SCALE	Fit	PART NO.
				x.X ±0.40	Andrey	2020/12/09	UNIT	mm	WF4191D-1WRXXXXBX1
				x.XX ±0.25	CHECK	DATE	SIZE	A4	TITLE:
AO	2020/12/09	NEW RELEASE	Andrey	x.XXX ±0.15	APPROVE	DATE	SHEET	4/4	4.19mm Wafer, Single Row, R/A DIP, DIP Height=3.73mm, W/T Localizable Hole
REV	DATE	MODIFICATION DESCRIPTION	CHANGE	Angle ± 3'			PROJ.	⊕	Customer NO.
				DIM TOL					

WCON

Http: www.wcon.com

WCON-Dongguan Tel: +86 769 85358920 Fax: +86 769 85358915 E-mail: sales@wcon.com	WCON-Kunshan Tel: +86 512 57468408 Fax: +86 512 57468468 E-mail: salesks@wcon.com
---	--