

HSF

NOTES:

Current Rating:4.11A/Pin(AT 30°C Rise, 20% Derated)
 Voltage Rating:400V/AC
 Contact Resistance:20mΩ Max.
 Withstand Voltage:1500V AC
 Insulation Resistance:1000MΩ Min.
 Operation Temperature:-40°C to +105°C
 Insulator Material:LCP,G.F,UL94V-0,Black
 Contact Material:Copper Alloy
 Contact plating:
 SM: 100u" Matte Tin Over 50u" Nickel

Recommended Process:
 IR Stove,Peak temperature:260±5°C

Recommended P.C.B Layout(Top Side)
 (PCB BOARD TOLERANCE±0.05)
 PCB BOARD THICKNESS:1.6~2.0

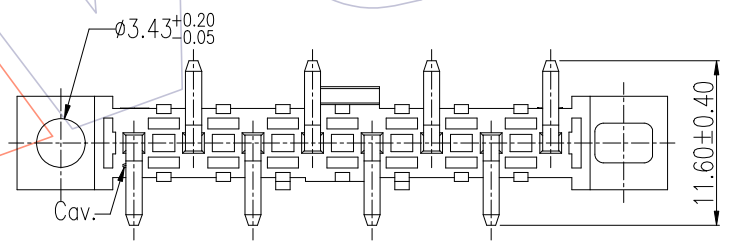
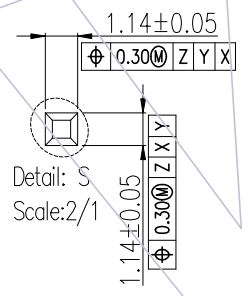
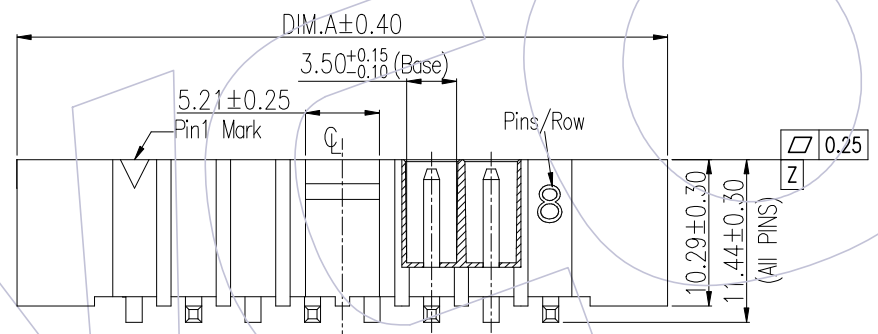
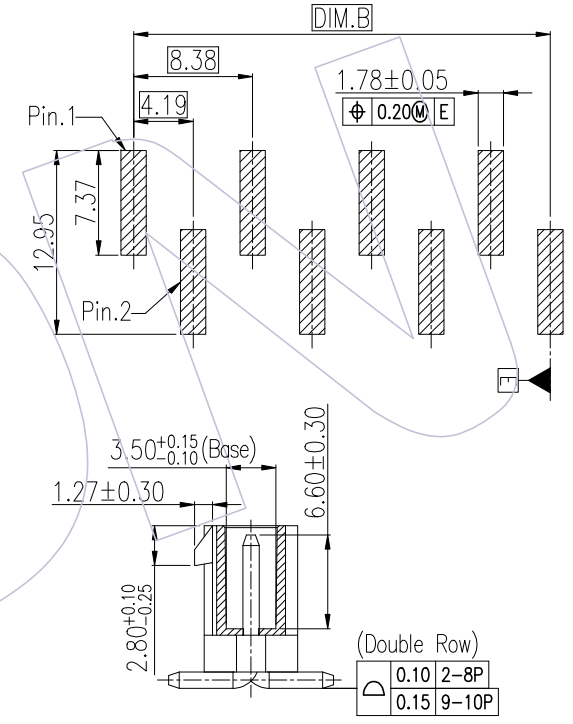
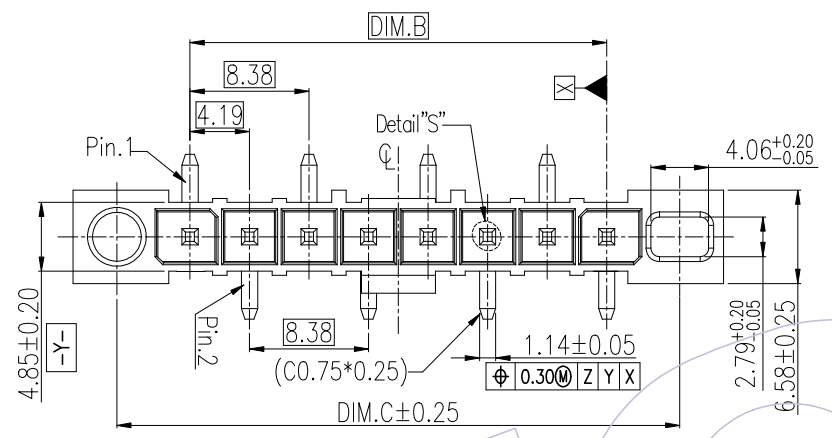


Table.1:

Pin No.	Part No.	DIM.A	DIM.B	DIM.C
2P	WF4191D-1WM02XXBX1	20.65	4.19	14.48
3P	WF4191D-1WM03XXBX1	24.84	8.38	18.67
4P	WF4191D-1WM04XXBX1	29.03	12.57	22.86
5P	WF4191D-1WM05XXBX1	33.22	16.76	27.05
8P	WF4191D-1WM08XXBX1	45.79	29.33	39.62
10P	WF4191D-1WM10XXBX1	54.17	37.71	48.00

REV	DATE	MODIFICATION DESCRIPTION	CHANGE	OPERATION	DRAW	DATE	SCALE	Fit	PART NO.
AO	2020/12/09	NEW RELEASE	Andrey	x.x ±0.40	Andrey	2020/12/09	UNIT	mm	WF4191D-1WMXXXXBX1
				x.xx ±0.25	CHECK	DATE	SIZE	A4	TITLE:
				x.xxx ±0.15	APPROVE	DATE	SHEET	1/4	4.19mm Wafer,Single Row,S/T SMT, H=11.44mm,W/T Localizable Hole
				Angle ± 3'			PROJ.	Customer NO.	
				DIM TOL					

WCON
 Http: www.wcon.com

WCON-Dongguan
 Tel: +86 769 85358920
 Fax: +86 769 85358915
 E-mail: sales@wcon.com

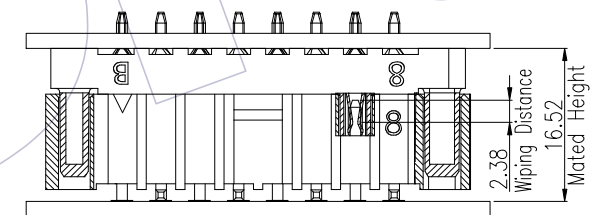
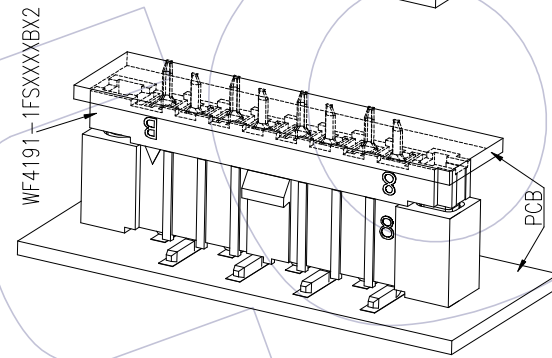
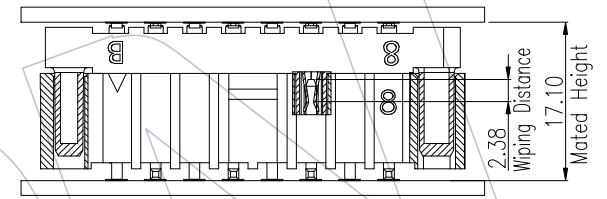
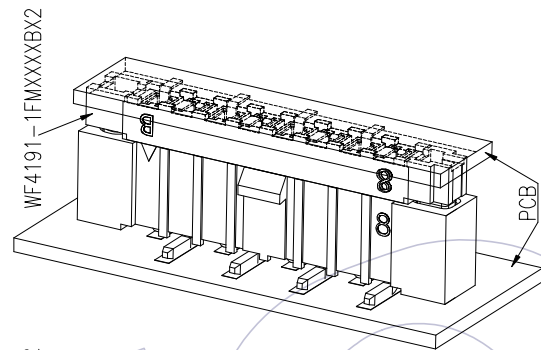
WCON-Kunshan
 Tel: +86 512 57468408
 Fax: +86 512 57468468
 E-mail: salesks@wcon.com

HSF

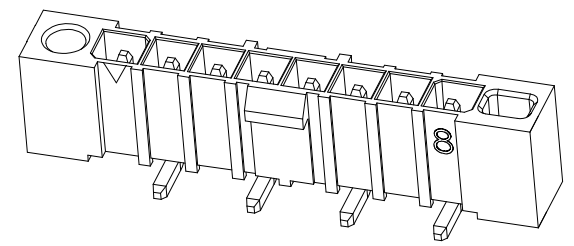
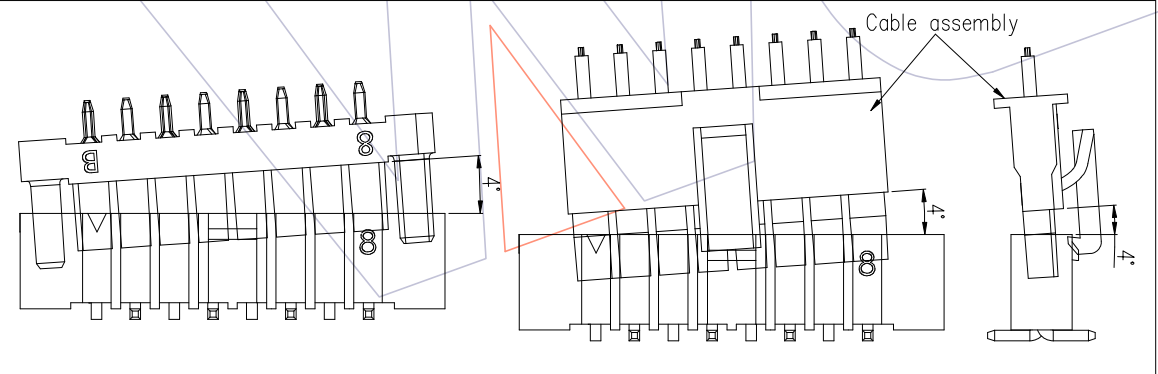
Ordering Information

WF 4191 D - 1 WM XX SM B T 1

Company Code	Wcon Internal Code:
Series Code:	1~9
419= 4.19mm Pitch	Packing:
1= First series	T=TUBE
Specification Code:	Color:
D=W/T Localizable Hole	B=Black
Row Code:	Contact Plating:
1=Single Row	SM: 100u" Matte Tin
2=Double Row	Over 50u" Nickel
Type Code:	No. of Pins:
WM=180° SMT	2P~10P



ALLOWED ANGULAR INCLINATION TOLERANCES LONGITUDINAL: ±4°



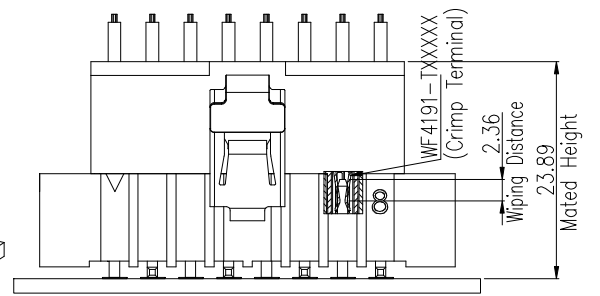
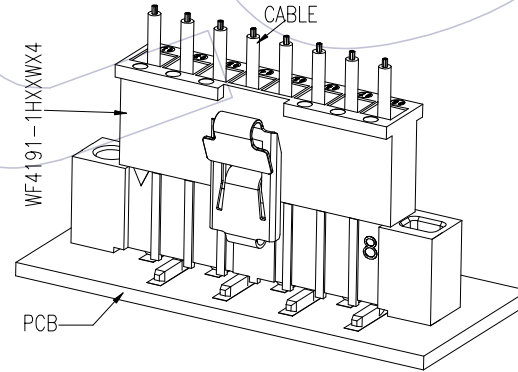
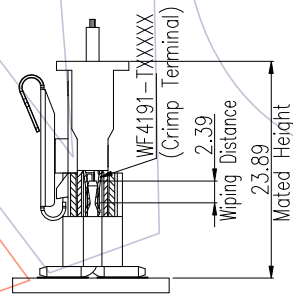
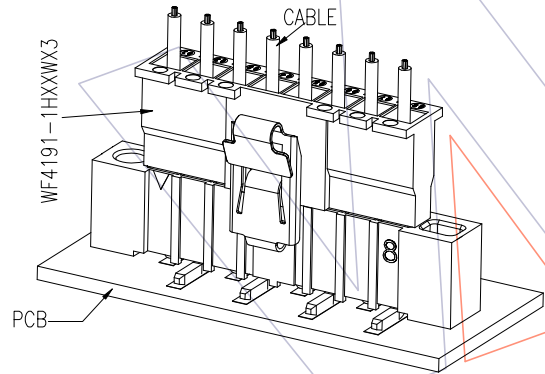
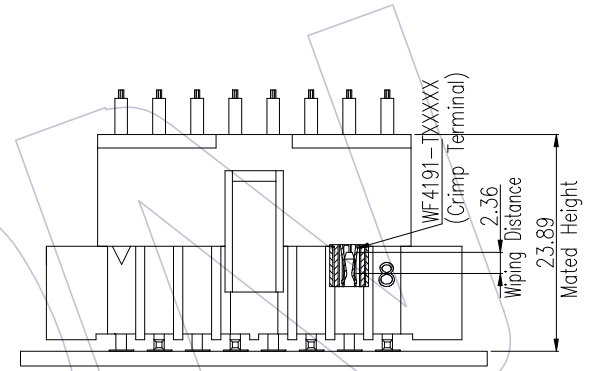
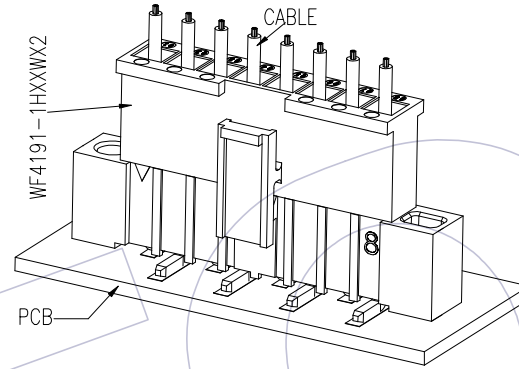
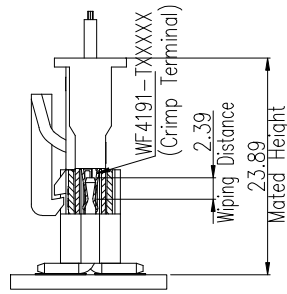
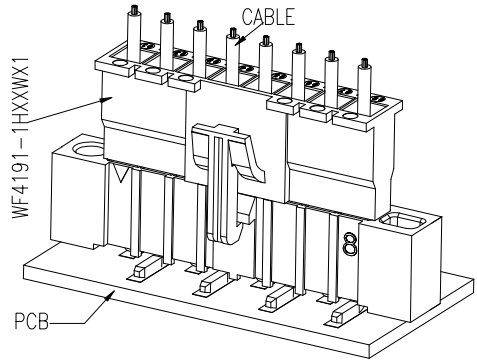
REV	DATE	MODIFICATION DESCRIPTION	CHANGE	OPERATION	DRAW	DATE	SCALE	Fit	PART NO.
AO	2020/12/09	NEW RELEASE	Andrey	x.X ±0.40	Andrey	2020/12/09	UNIT	mm	WF4191D-1WMXXXXBX1
				x.XX ±0.25	CHECK	DATE	SIZE	A4	TITLE:
				x.XXX ±0.15	APPROVE	DATE	SHEET	2/4	4.19mm Wafer, Single Row, S/T SMT, H=11.44mm, W/T Localizable Hole
				Angle ± 3'			PROJ.	⊕	Customer NO.
				DIM TOL					

WCON

Http: www.wcon.com

WCON-Dongguan Tel: +86 769 85358920 Fax: +86 769 85358915 E-mail: sales@wcon.com	WCON-Kunshan Tel: +86 512 57468408 Fax: +86 512 57468468 E-mail: salesks@wcon.com
-------------------------------------------------------------------------------------------------------------------------------	----------------------------------------------------------------------------------------------------------------------------------

HSF



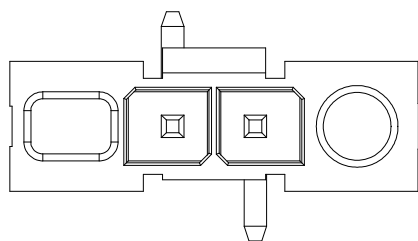
				OPERATION	DRAW	DATE	SCALE	Fit	PART NO.
				x.x ±0.40	Andrey	2020/12/09	UNIT	mm	WF4191D-1WMXXXXBX1
				x.xx ±0.25	CHECK	DATE	SIZE	A4	TITLE:
AO	2020/12/09	NEW RELEASE	Andrey	x.xxx ±0.15	APPROVE	DATE	SHEET	3/4	4.19mm Wafer, Single Row, S/T SMT, H=11.44mm, W/T Localizable Hole
REV	DATE	MODIFICATION DESCRIPTION	CHANGE	Angle ± 3'			PROJ.	⌀	Customer NO.
				DIM TOL					

WCON

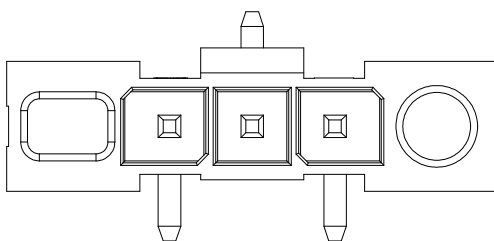
Http: www.wcon.com

WCON-Dongguan Tel: +86 769 85358920 Fax: +86 769 85358915 E-mail: sales@wcon.com	WCON-Kunshan Tel: +86 512 57468408 Fax: +86 512 57468468 E-mail: salesks@wcon.com
-------------------------------------------------------------------------------------------------------------------------------	----------------------------------------------------------------------------------------------------------------------------------

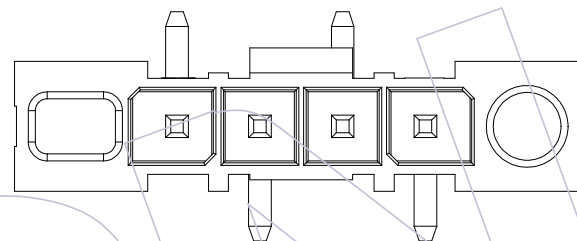
HSF



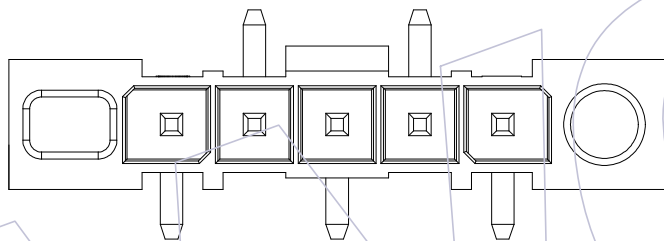
2P



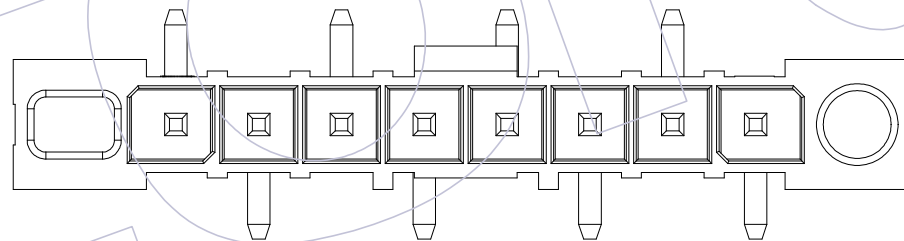
3P



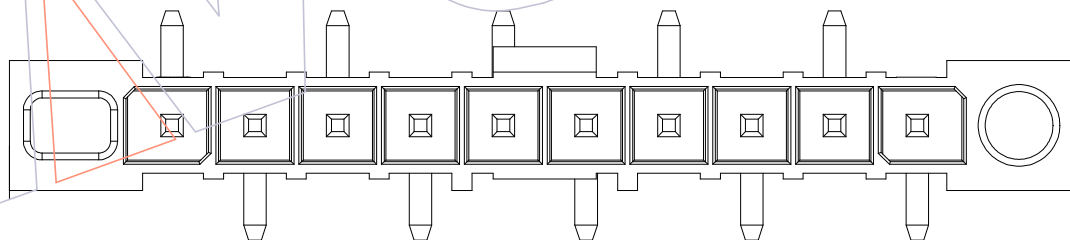
4P



5P



8P



10P

OPERATION

DRAW

DATE

SCALE

Fit

PART NO.

x.X ±0.40

Andrey

2020/12/09

UNIT

mm

WF4191D-1WMXXXXBX1

x.XX ±0.25

CHECK

DATE

SIZE

A4

TITLE:

x.XXX ±0.15

APPROVE

DATE

SHEET

4/4

4.19mm Wafer, Single Row, S/T SMT,
H=11.44mm, W/T Localizable Hole

Angle ± 3'

CHANGE

DATE

PROJ.

Customer NO.

DIM TOL

AO 2020/12/09

NEW RELEASE

Andrey

REV DATE

MODIFICATION DESCRIPTION

CHANGE

WCON

Http: www.wcon.com

WCON-Dongguan
Tel: +86 769 85358920
Fax: +86 769 85358915
E-mail: sales@wcon.com

WCON-Kunshan
Tel: +86 512 57468408
Fax: +86 512 57468468
E-mail: salesks@wcon.com