

HSF

NOTES:
 Current Rating:4.11A/Pin(AT 30℃ Rise, 20% Derated)
 Voltage Rating:400V/AC
 Contact Resistance:20mΩ Max.
 Withstand Voltage:1500V AC
 Insulation Resistance:1000MΩ Min.
 Operation Temperature:-40℃ to +105℃
 Insulator Material:LCP,G.F,UL94V-0,Black
 Contact Material:Copper Alloy
 Contact plating:
 SM: 100u" Matte Tin Over 50u" Nickel

Recommended Process:
 IR Stove,Peak temperature: 260±5℃

Recommended P.C.B Layout(Top Side)
 (PCB BOARD TOLERANCE±0.05)
 PCB BOARD THICKNESS:1.6~2.0

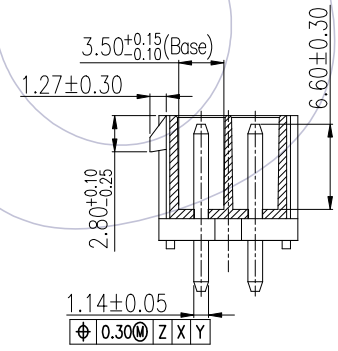
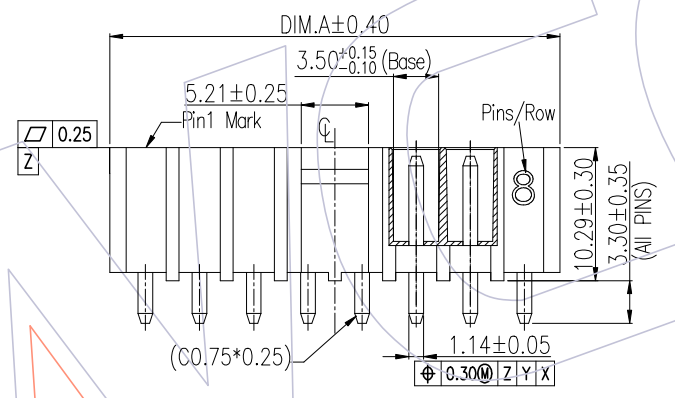
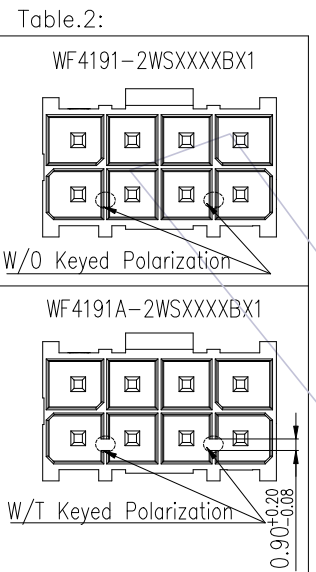
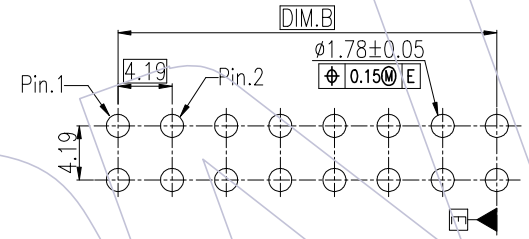
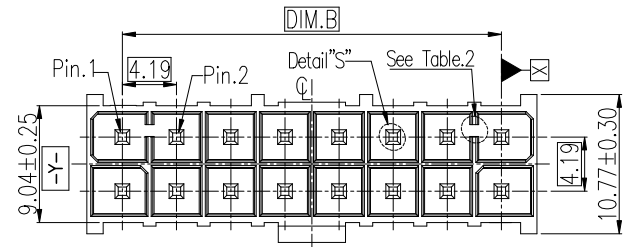


Table.1:

Pin No.	Part No.	DIM.A	DIM.B
2*2P	WF4191(A)-2WS02XXBX1	9.71	4.19
2*3P	WF4191(A)-2WS03XXBX1	13.90	8.38
2*4P	WF4191(A)-2WS04XXBX1	18.09	12.57
2*5P	WF4191(A)-2WS05XXBX1	22.28	16.76
2*8P	WF4191(A)-2WS08XXBX1	34.85	29.33
2*10P	WF4191(A)-2WS10XXBX1	43.23	37.71
2*15P	WF4191(A)-2WS15XXBX1	64.18	58.66

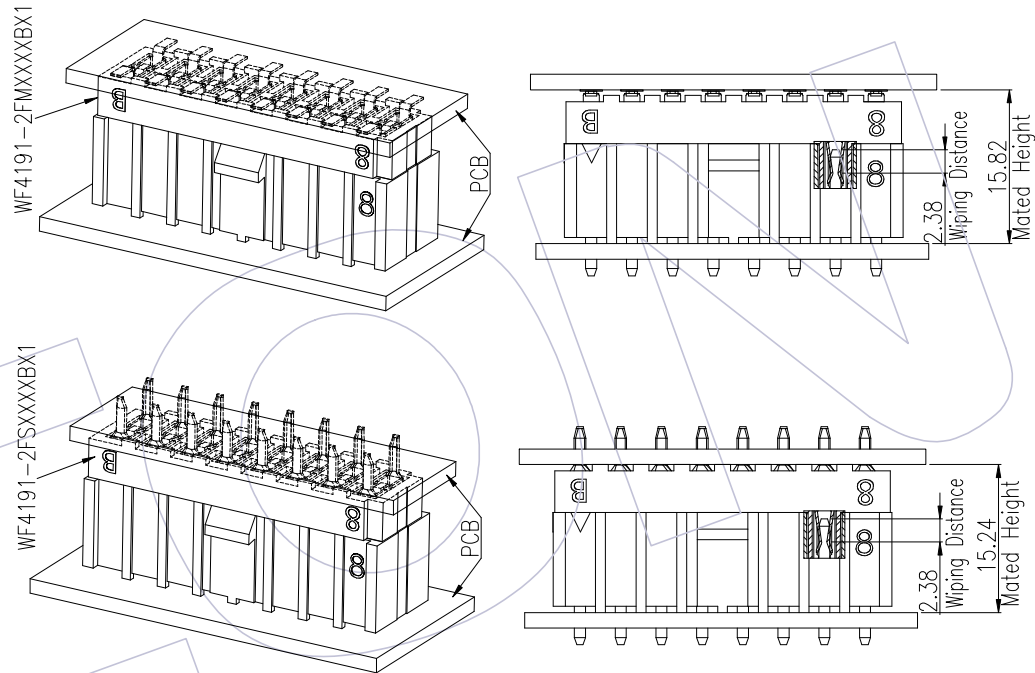
REV	DATE	MODIFICATION DESCRIPTION	CHANGE	OPERATION	DRAW	DATE	SCALE	Fit	PART NO.	 Http: www.wcon.com WCON-Dongguan Tel: +86 769 85358920 Fax: +86 769 85358915 E-mail: sales@wcon.com WCON-Kunshan Tel: +86 512 57468408 Fax: +86 512 57468468 E-mail: salesks@wcon.com
AO	2020/12/09	NEW RELEASE	Andrey	x.x ±0.40	Andrey	2020/12/09	UNIT	mm	WF4191(A)-2WSXXXBX1	
				x.xx ±0.25	CHECK	DATE	SIZE	A4	TITLE: 4.19mm Wafer, Double Row, S/T DIP, DIP Height=3.30mm	
				x.xxx ±0.15	APPROVE	DATE	SHEET	1/4	Customer NO.	
				Angle ± 3'			PROJ.	⌀		
				DIM TOL						

HSF

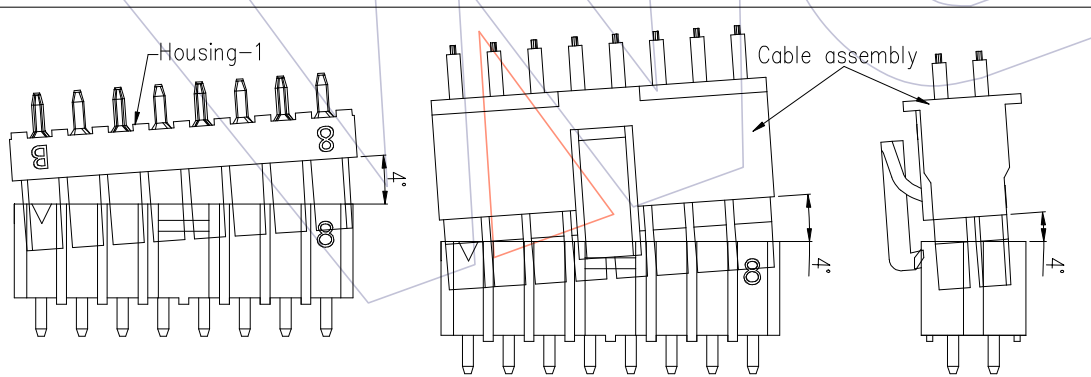
Ordering Information

WF 4191 A -2 WS XX SM B T 1

Company Code:	Wcon Internal Code:
Series Code:	1~9
419= 4.19mm Pitch	Packing:
1= First series	T=TUBE
Specification Code:	Color:
A=W/T Keyed Polarization	B=Black
Blank=W/O Keyed Polarization	Contact Plating:
Row Code:	SM: 100u" Matte Tin
1=Single Row	Over 50u" Nickel
2=Double Row	No. of Pins:
Type Code:	2*2P~2*10P
WS=180° DIP	



ALLOWED ANGULAR INCLINATION
TOLERANCES LONGITUDINAL: ±4°



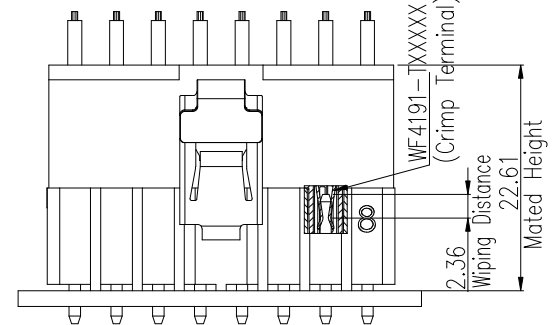
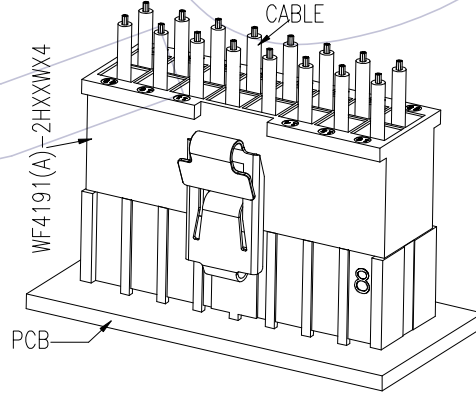
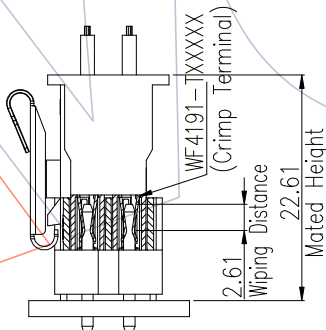
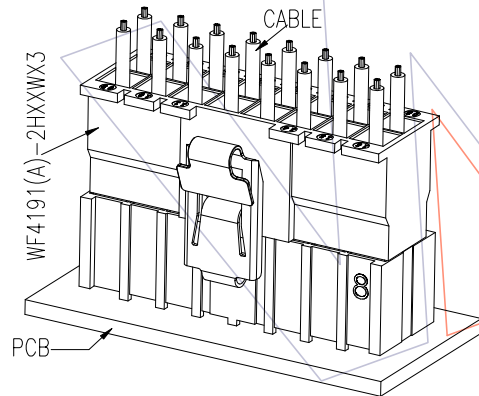
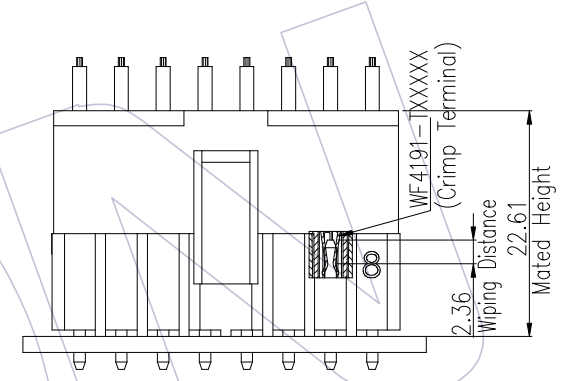
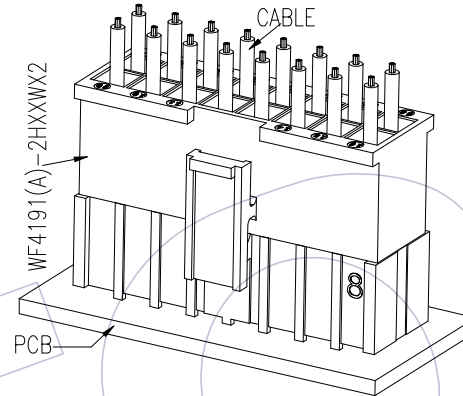
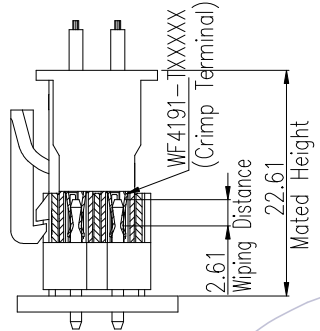
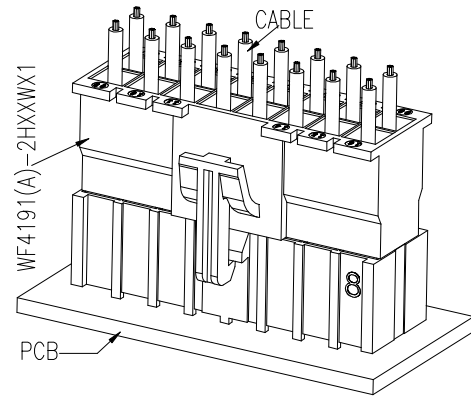
				OPERATION	DRAW	DATE	SCALE	Fit	PART NO.
				x.X ±0.40	Andrey	2020/12/09	UNIT	mm	WF4191(A)-2WSXXXXBX1
				x.XX ±0.25	CHECK	DATE	SIZE	A4	TITLE:
				x.XXX ±0.15	APPROVE	DATE	SHEET	2/4	4.19mm Wafer, Double Row, S/T DIP, DIP Height=3.30mm
AO	2020/12/09	NEW RELEASE	Andrey	Angle ± 3°			PROJ.	⌀	Customer NO.
REV	DATE	MODIFICATION DESCRIPTION	CHANGE	DIM TOL					

WCON

Http: www.wcon.com

WCON-Dongguan Tel: +86 769 85358920 Fax: +86 769 85358915 E-mail: sales@wcon.com	WCON-Kunshan Tel: +86 512 57468408 Fax: +86 512 57468468 E-mail: salesks@wcon.com
---	--

HSF



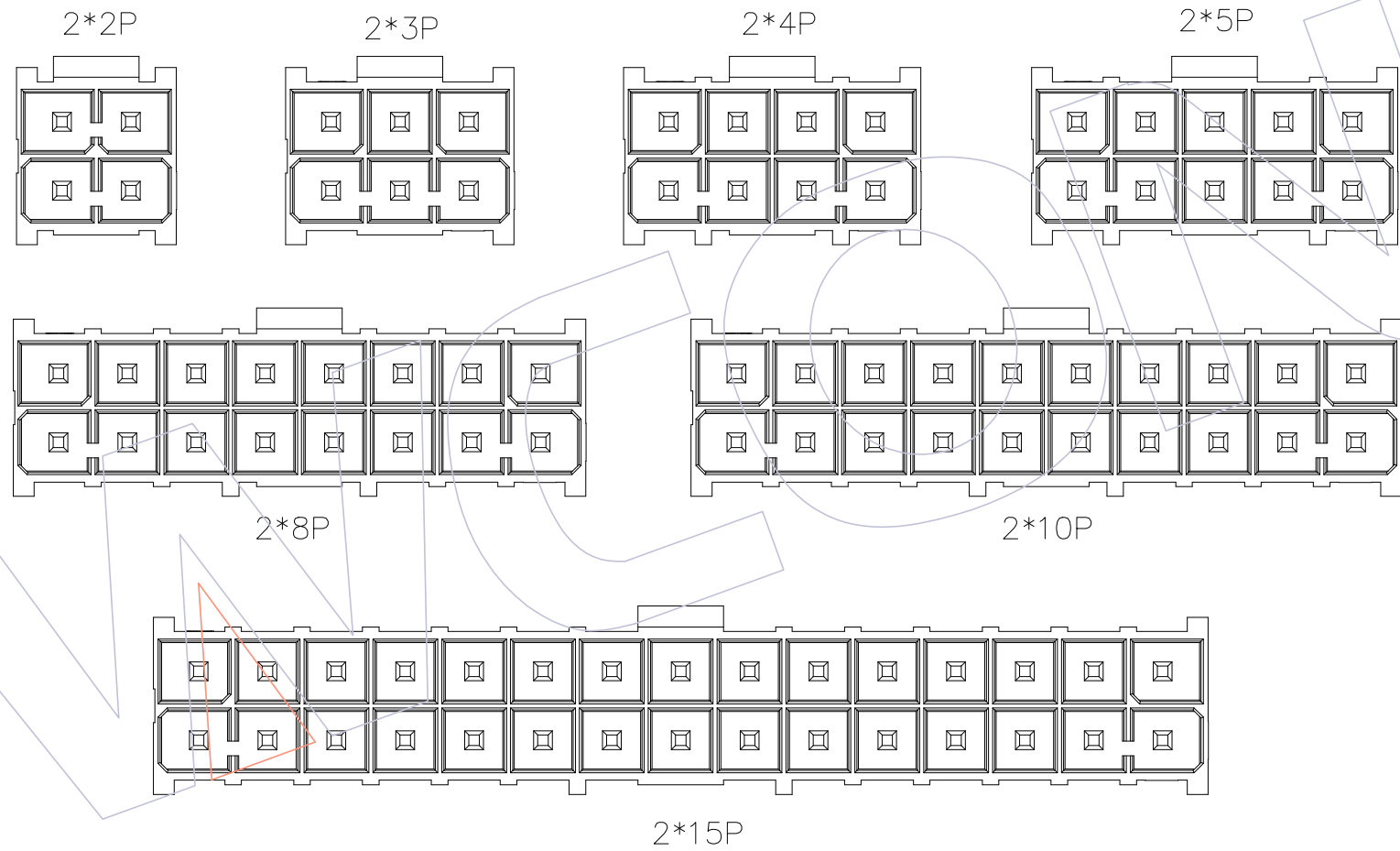
				OPERATION	DRAW	DATE	SCALE	Fit	PART NO.
				x.x ±0.40	Andrey	2020/12/09	UNIT	mm	WF4191(A)-2WSXXXXBX1
				x.xx ±0.25	CHECK	DATE	SIZE	A4	TITLE:
				x.xxx ±0.15	APPROVE	DATE	SHEET	3/4	4.19mm Wafer, Double Row, S/T DIP, DIP Height=3.30mm
AO	2020/12/09	NEW RELEASE	Andrey	Angle ± 3'			PROJ.	⌀	Customer NO.
REV	DATE	MODIFICATION DESCRIPTION	CHANGE	DIM TOL					

WCON

Http: www.wcon.com

WCON-Dongguan Tel: +86 769 85358920 Fax: +86 769 85358915 E-mail: sales@wcon.com	WCON-Kunshan Tel: +86 512 57468408 Fax: +86 512 57468468 E-mail: salesks@wcon.com
---	--

HSF



				OPERATION	DRAW	DATE	SCALE	Fit	PART NO.
				x.X ±0.40	Andrey	2020/12/09	UNIT	mm	WF4191(A)-2WSXXXXBX1
				x.XX ±0.25	CHECK	DATE	SIZE	A4	TITLE:
				x.XXX ±0.15	APPROVE	DATE	SHEET	4/4	4.19mm Wafer, Double Row, S/T DIP, DIP Height=3.30mm
AO	2020/12/09	NEW RELEASE	Andrey	Angle ± 3'			PROJ.	⊕	Customer NO.
REV	DATE	MODIFICATION DESCRIPTION	CHANGE	DIM TOL					

WCON
 Http: www.wcon.com

WCON-Dongguan Tel: +86 769 85358920 Fax: +86 769 85358915 E-mail: sales@wcon.com	WCON-Kunshan Tel: +86 512 57468408 Fax: +86 512 57468468 E-mail: salesks@wcon.com
---	--