

# HSF

NOTES:  
 Current Rating:4.11A/Pin(AT 30°C Rise, 20% Derated)  
 Voltage Rating:400V/AC  
 Contact Resistance:20mΩ Max.  
 Withstand Voltage:1500V AC  
 Insulation Resistance:1000MΩ Min.  
 Operation Temperature:-40°C to +105°C  
 Insulator Material:LCP,G.F,UL94V-0,Black  
 Contact Material:Copper Alloy  
 Contact plating:  
 SM: 100u" Matte Tin Over 50u" Nickel

Recommended Process:  
 IR Stove,Peak temperature: 260±5°C

Recommended P.C.B Layout(Top Side)  
 (PCB BOARD TOLERANCE±0.05)  
 PCB BOARD THICKNESS:1.6~2.0

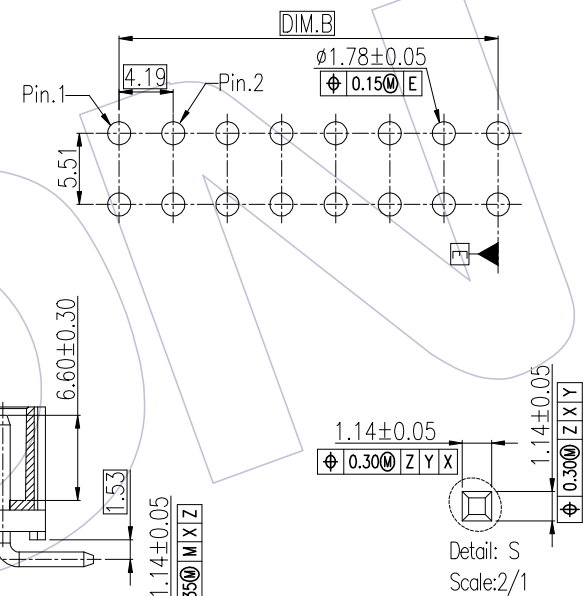
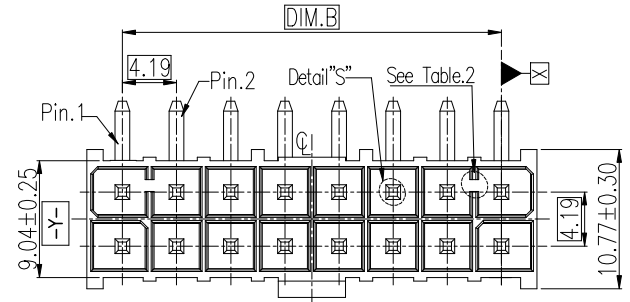


Table.2:

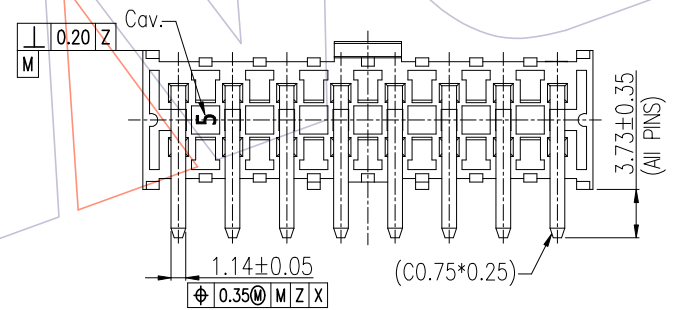
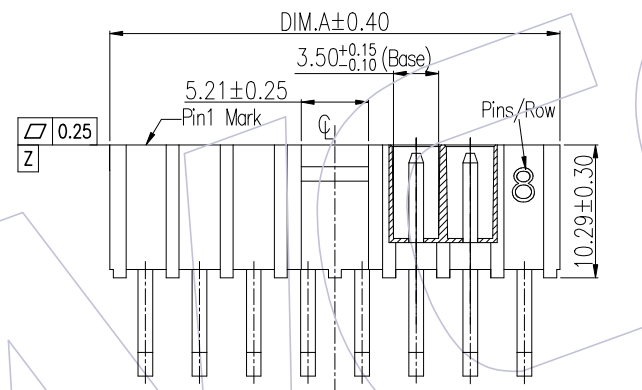
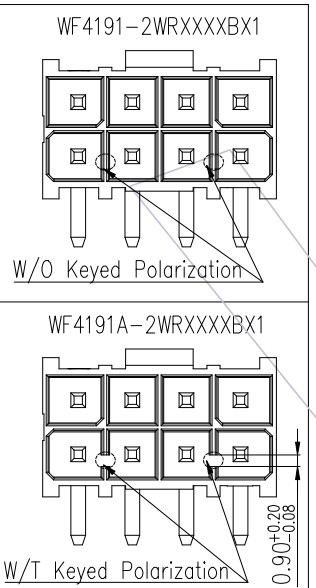


Table.1:

Pin No.	Part No.	DIM.A	DIM.B
2*2P	WF4191(A)-2WR02XXBX1	9.71	4.19
2*3P	WF4191(A)-2WR03XXBX1	13.90	8.38
2*4P	WF4191(A)-2WR04XXBX1	18.09	12.57
2*5P	WF4191(A)-2WR05XXBX1	22.28	16.76
2*8P	WF4191(A)-2WR08XXBX1	34.85	29.33
2*10P	WF4191(A)-2WR10XXBX1	43.23	37.71
2*15P	WF4191(A)-2WR15XXBX1	64.18	58.66

				OPERATION	DRAW	DATE	SCALE	Fit	PART NO. WF4191(A)-2WRXXXXBX1		 Http: www.wcon.com
				x.x ±0.40	Andrey	2020/12/09	UNIT	mm	TITLE: 4.19mm Wafer, Double Row, R/A DIP, DIP Height=3.73mm		
				x.xx ±0.25	CHECK	DATE	SIZE	A4	Customer NO.		WCON-Kunshan
AO	2020/12/09	NEW RELEASE	Andrey	x.xxx ±0.15	APPROVE	DATE	SHEET	1/4			Tel: +86 769 85358920
REV	DATE	MODIFICATION DESCRIPTION	CHANGE	Angle ± 3'			PROJ.	⌀			Tel: +86 512 57468408
				DIM TOL							Fax: +86 769 85358915
											Fax: +86 512 57468468
											E-mail: sales@wcon.com
											E-mail: salesks@wcon.com

# HSF

## Ordering Information

**WF 4191 A - 2 WR XX SM B T 1**

Company Code:

Series Code:  
419= 4.19mm Pitch  
1= First series

Specification Code:

A=W/T Keyed Polarization  
Blank=W/O Keyed Polarization

Row Code:  
1=Single Row  
2=Double Row

Type Code:  
WR=90° DIP

Wcon Internal Code:

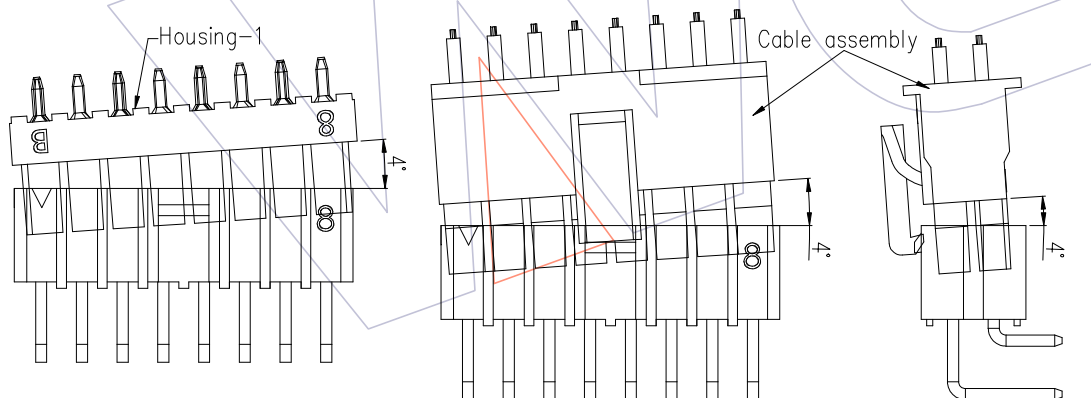
1~9  
Packing:  
T=TUBE

Color:  
B=Black

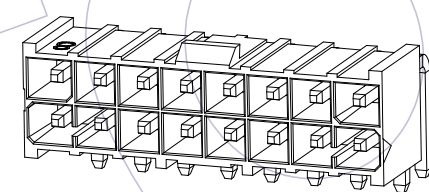
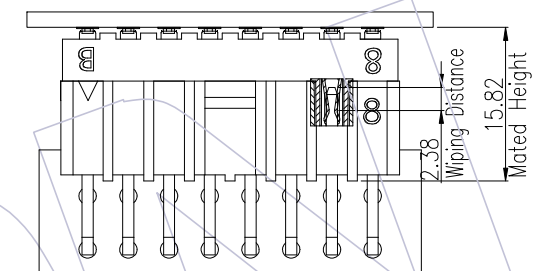
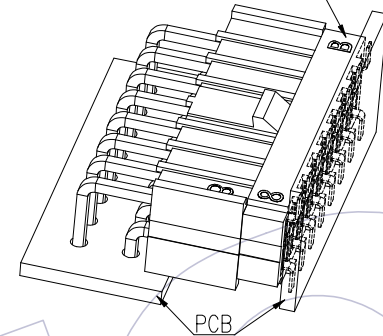
Contact Plating:  
SM: 100u" Matte Tin  
Over 50u" Nickel

No. of Pins:  
2\*2P~2\*15P

ALLOWED ANGULAR INCLINATION  
TOLERANCES LONGITUDINAL:  $\pm 4^\circ$

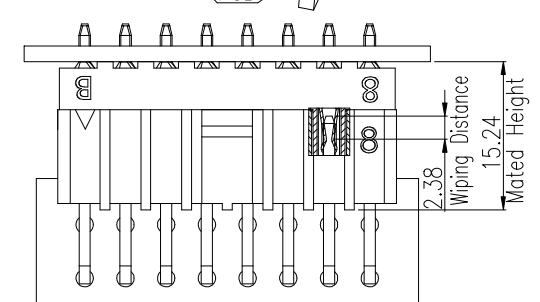
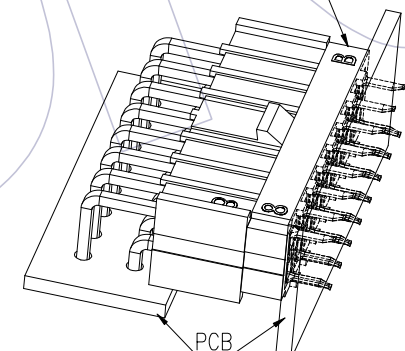


WF4191-2FMXXXXBX1



3D VIEW

WF4191-2FSXXXXBX1



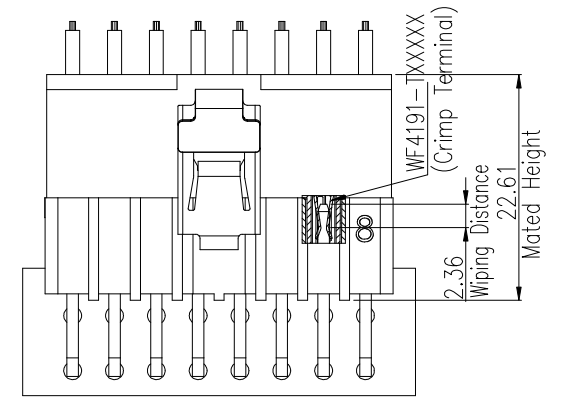
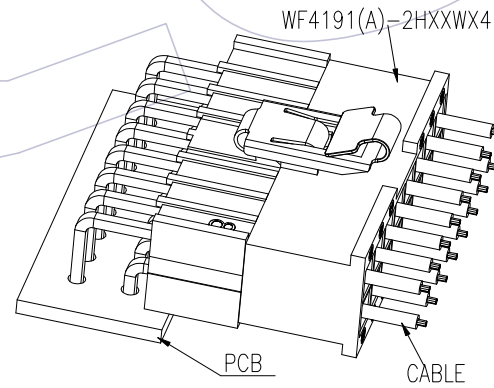
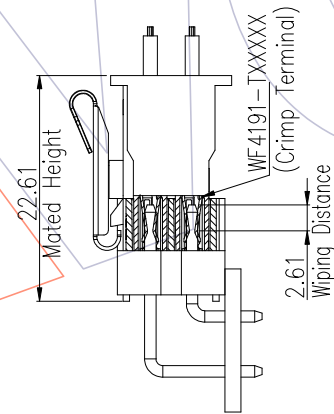
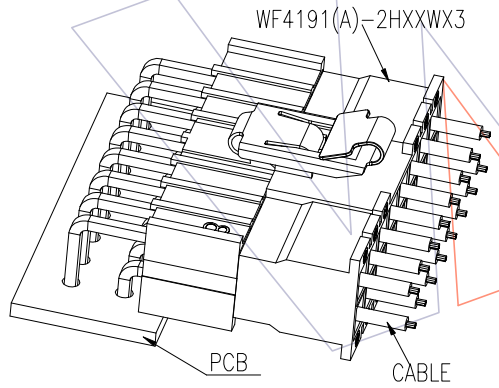
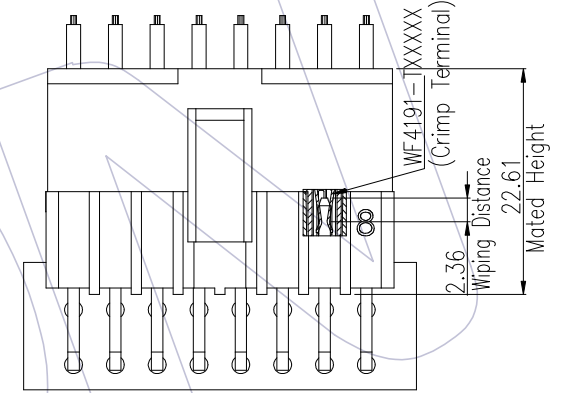
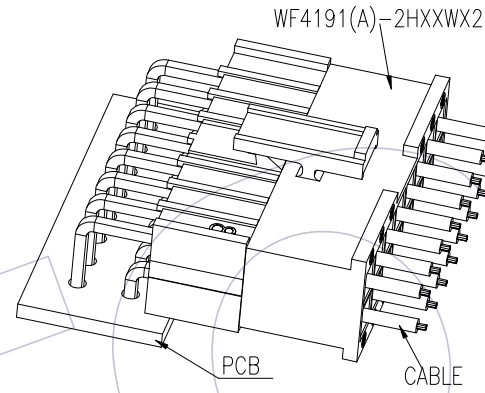
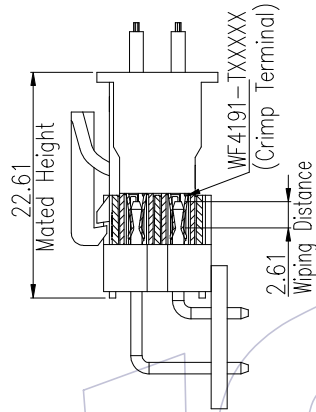
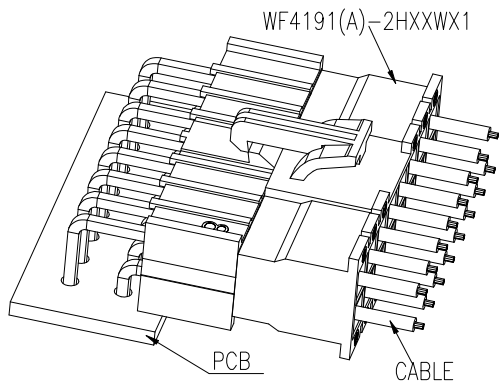
REV	DATE	MODIFICATION DESCRIPTION	CHANGE	OPERATION	DRAW	DATE	SCALE	Fit	PART NO.
AO	2020/12/09	NEW RELEASE	Andrey	x.X ±0.40	Andrey	2020/12/09	UNIT	mm	WF4191(A)-2WRXXXXBX1
				x.XX ±0.25	CHECK	DATE	SIZE	A4	TITLE: 4.19mm Wafer, Double Row, R/A DIP, DIP Height=3.73mm
				x.XXX ±0.15	APPROVE	DATE	SHEET	2/4	Customer NO.
				Angle ± 3°			PROJ.	$\varnothing$	
				DIM TOL					

# WCON

Http: www.wcon.com

WCON-Dongguan Tel: +86 769 85358920 Fax: +86 769 85358915 E-mail: sales@wcon.com	WCON-Kunshan Tel: +86 512 57468408 Fax: +86 512 57468468 E-mail: salesks@wcon.com
---	--

# HSF



OPERATION	DRAW	DATE	SCALE	Fit	PART NO.
x.x ±0.40	Andrey	2020/12/09	UNIT	mm	WF4191(A)-2WRXXXXBX1
x.xx ±0.25	CHECK	DATE	SIZE	A4	TITLE:
x.xxx ±0.15	APPROVE	DATE	SHEET	3/4	4.19mm Wafer, Double Row, R/A DIP, DIP Height=3.73mm
Angle ± 3'			PROJ.	⌀	Customer NO.
DIM TOL					

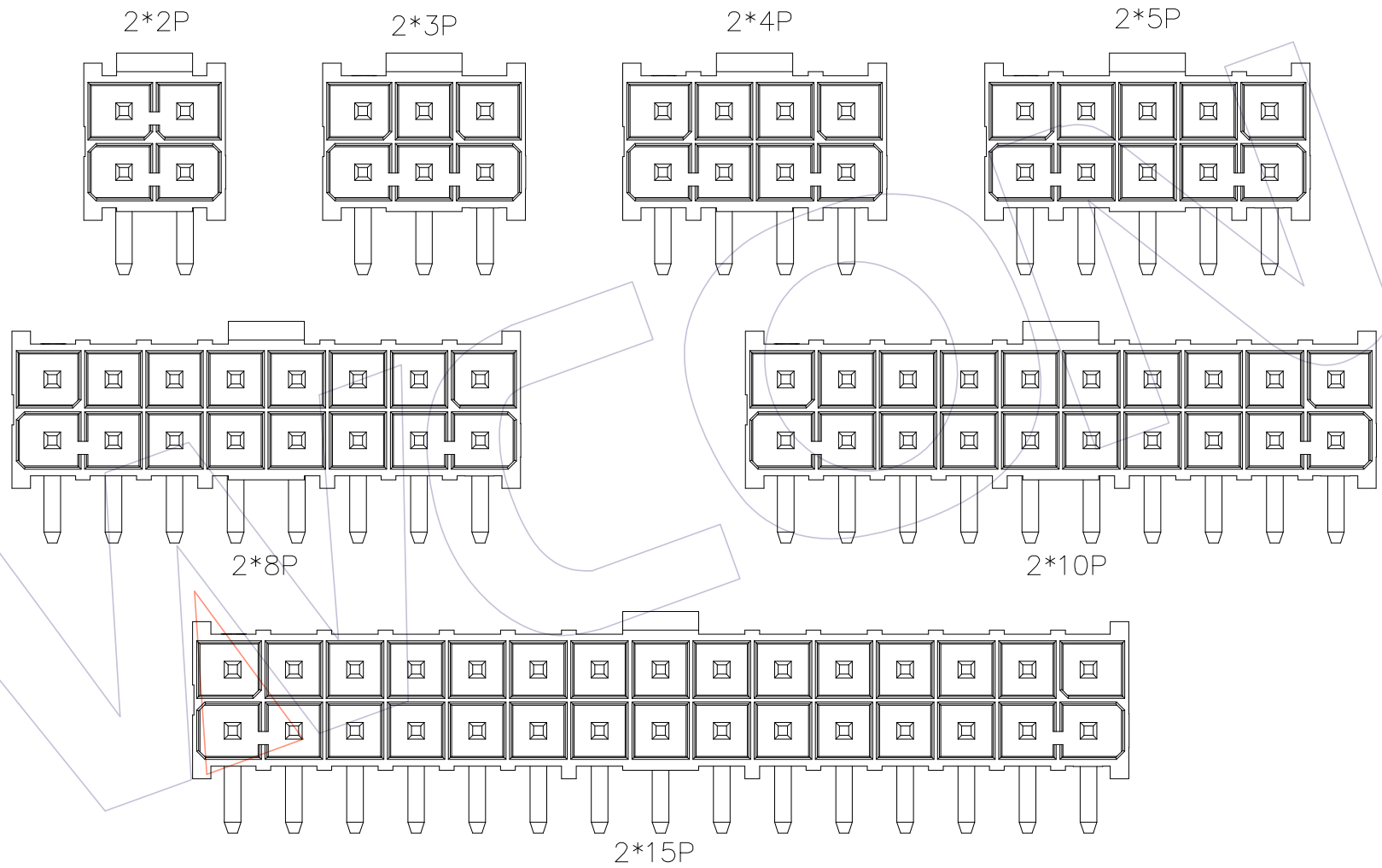
AO	2020/12/09	NEW RELEASE	Andrey
REV	DATE	MODIFICATION DESCRIPTION	CHANGE

## WCON

Http: www.wcon.com

WCON-Dongguan Tel: +86 769 85358920 Fax: +86 769 85358915 E-mail: sales@wcon.com	WCON-Kunshan Tel: +86 512 57468408 Fax: +86 512 57468468 E-mail: salesks@wcon.com
---	--

# HSF



				OPERATION	DRAW	DATE	SCALE	Fit	PART NO.
				x.X ±0.40	Andrey	2020/12/09	UNIT	mm	WF4191(A)-2WRXXXXBX1
				x.XX ±0.25	CHECK	DATE	SIZE	A4	TITLE:
AO	2020/12/09	NEW RELEASE	Andrey	x.XXX ±0.15	APPROVE	DATE	SHEET	4/4	4.19mm Wafer, Double Row, R/A DIP, DIP Height=3.73mm
REV	DATE	MODIFICATION DESCRIPTION	CHANGE	Angle ± 3'			PROJ.	⊕	Customer NO.
				DIM TOL					

**WCON**  
Http: [www.wcon.com](http://www.wcon.com)

WCON-Dongguan Tel: +86 769 85358920 Fax: +86 769 85358915 E-mail: <a href="mailto:sales@wcon.com">sales@wcon.com</a>	WCON-Kunshan Tel: +86 512 57468408 Fax: +86 512 57468468 E-mail: <a href="mailto:salesks@wcon.com">salesks@wcon.com</a>
---	--