

HSF

NOTES:
 Current Rating:4.11A/Pin(AT 30°C Rise, 20% Derated)
 Voltage Rating:400V/AC
 Contact Resistance:20mΩ Max.
 Withstand Voltage:1500V AC
 Insulation Resistance:1000MΩ Min.
 Operation Temperature:-40°C to +105°C
 Insulator Material:LCP,G.F,UL94V-0,Black
 Contact Material:Copper Alloy
 Contact plating:
 SM: 100u" Matte Tin Over 50u" Nickel

Recommended Process:
 IR Stove,Peak temperature: 260±5°C

Recommended P.C.B Layout(Top Side)
 (PCB BOARD TOLERANCE±0.05)
 PCB BOARD THICKNESS:1.6~2.0

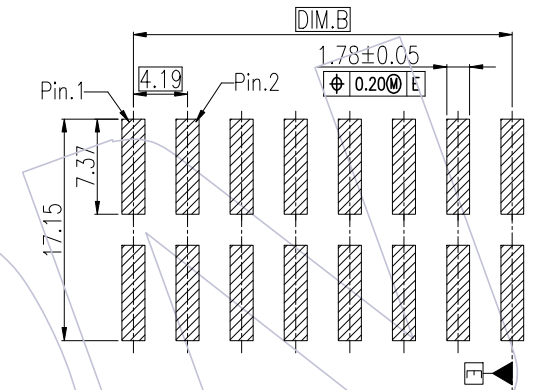
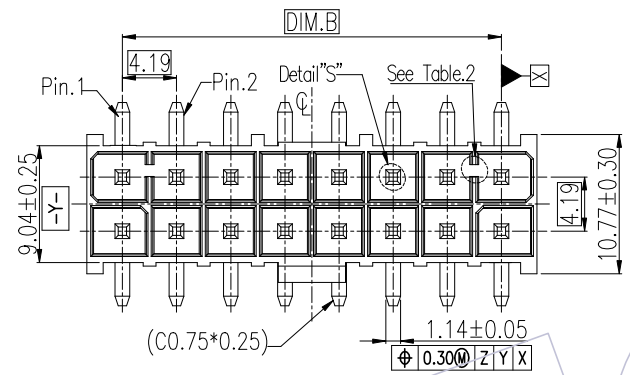


Table.2:

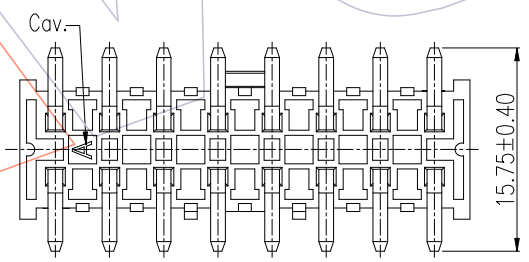
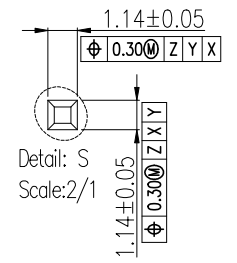
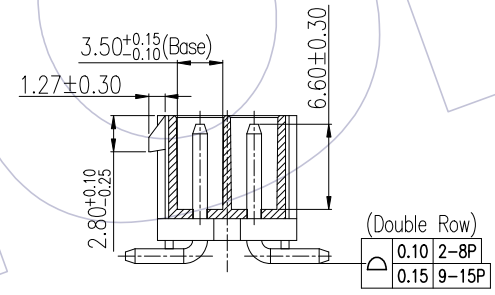
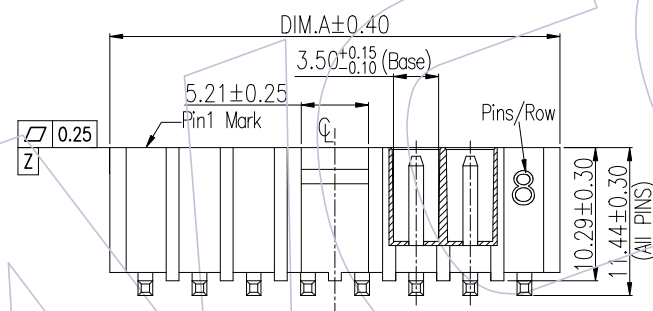
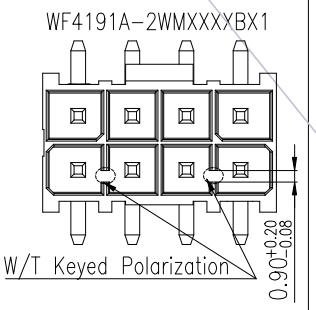
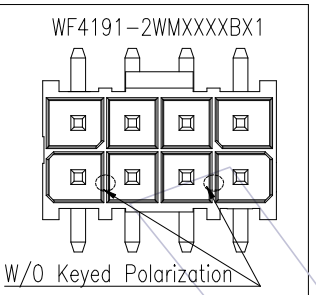


Table.1:

Pin No.	Part No.	DIM.A	DIM.B
2*2P	WF4191(A)-2WM02XXBX1	9.71	4.19
2*3P	WF4191(A)-2WM03XXBX1	13.90	8.38
2*4P	WF4191(A)-2WM04XXBX1	18.09	12.57
2*5P	WF4191(A)-2WM05XXBX1	22.28	16.76
2*8P	WF4191(A)-2WM08XXBX1	34.85	29.33
2*10P	WF4191(A)-2WM10XXBX1	43.23	37.71
2*15P	WF4191(A)-2WM15XXBX1	64.18	58.66

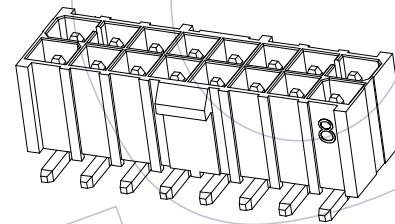
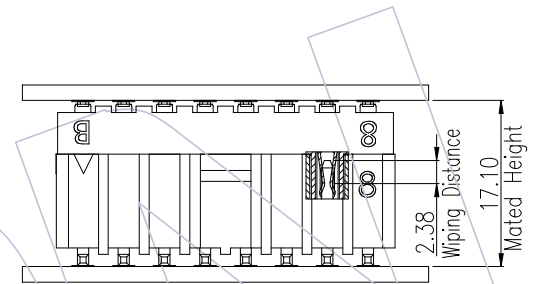
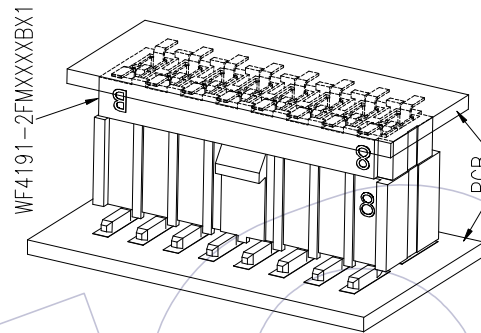
			OPERATION	DRAW	DATE	SCALE	Fit	PART NO.		<p>Http: www.wcon.com</p> <p>WCON-Dongguan WCON-Kunshan</p> <p>Tel: +86 769 85358920 Tel: +86 512 57468408</p> <p>Fax: +86 769 85358915 Fax: +86 512 57468468</p> <p>E-mail: sales@wcon.com E-mail: salesks@wcon.com</p>
			x.X ±0.40	Andrey	2020/12/09	UNIT	mm	WF4191(A)-2WMXXXXBX1		
			x.XX ±0.25	CHECK	DATE	SIZE	A4	TITLE:		
			x.XXX ±0.15	APPROVE	DATE	SHEET	1/4	4.19mm Wafer, Double Row, S/T SMT, H=11.44mm		
AO	2020/12/09	NEW RELEASE	Andrey			PROJ.	Customer NO.			
REV	DATE	MODIFICATION DESCRIPTION	CHANGE	OPERATION	DATE					
				x.XX ±0.25						
				x.XXX ±0.15						
				Angle ± 3'						
				DIM TOL						

HSF

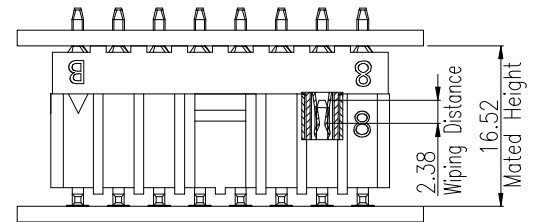
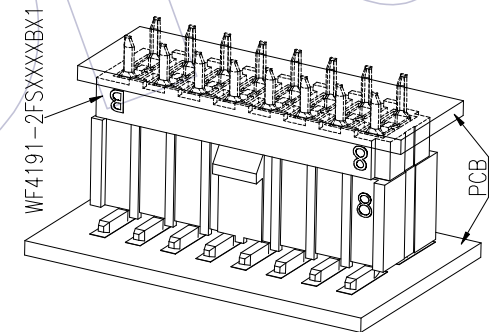
Ordering Information

WF 4191 A - 2 WM XX SM B T 1

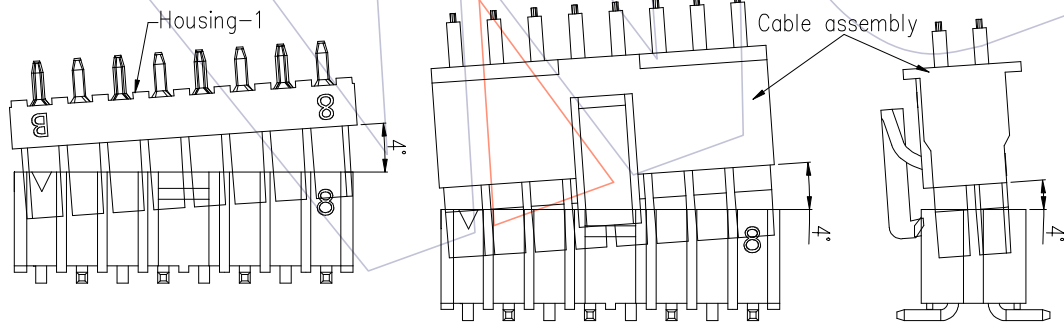
Company Code	Wcon Internal Code:
Series Code:	1~9
419= 4.19mm Pitch	Packing:
1= First series	T=TUBE
Specification Code:	Color:
A=W/T Keyed Polarization	B=Black
Blank=W/O Keyed Polarization	Contact Plating:
Row Code:	SM: 100u" Matte Tin
1=Single Row	Over 50u" Nickel
2=Double Row	No. of Pins:
Type Code:	2*2P~2*10P
WM=180° SMT	



3D VIEW



ALLOWED ANGULAR INCLINATION
TOLERANCES LONGITUDINAL: ±4°



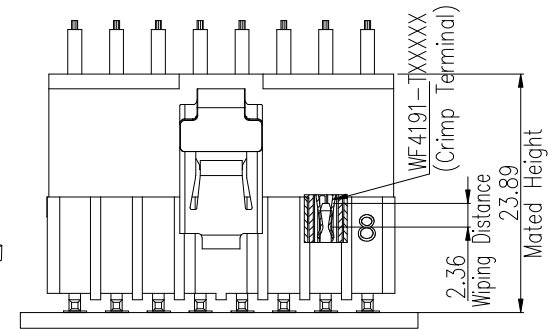
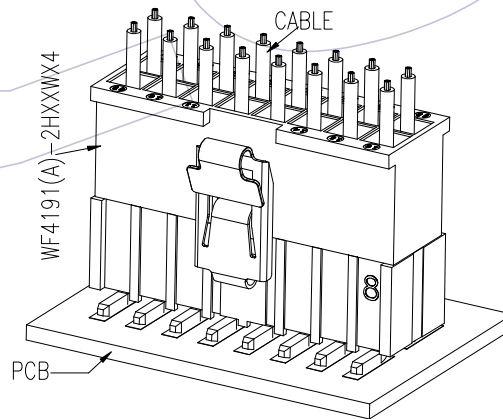
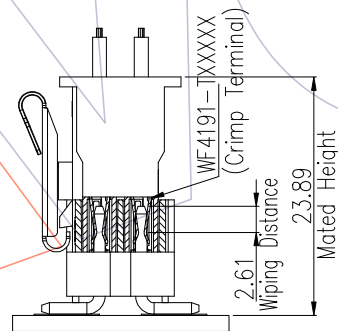
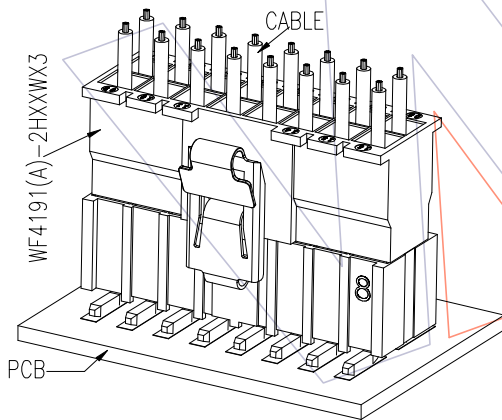
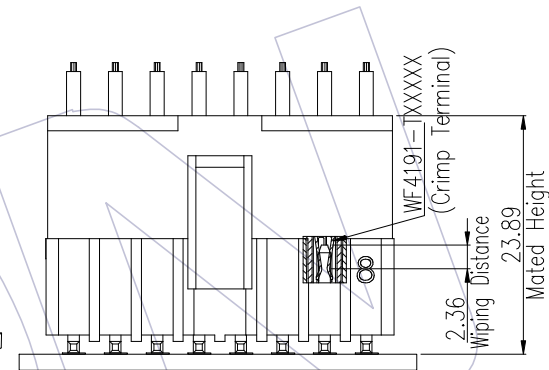
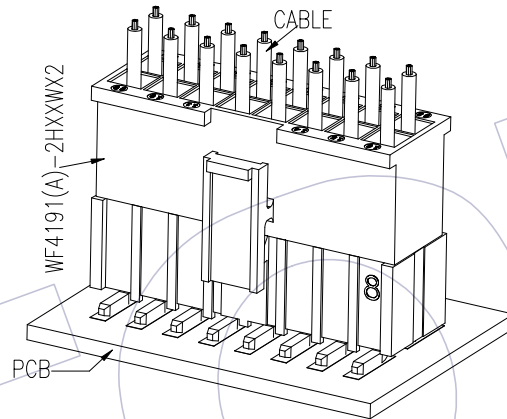
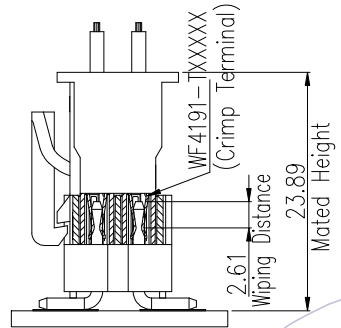
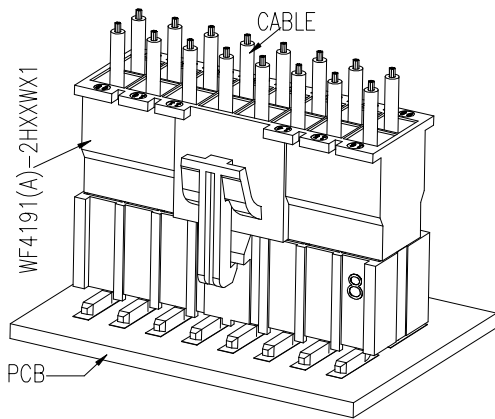
				OPERATION	DRAW	DATE	SCALE	Fit	PART NO.
				x.x ±0.40	Andrey	2020/12/09	UNIT	mm	WF4191(A)-2WMXXXXBX1
				x.xx ±0.25	CHECK	DATE	SIZE	A4	TITLE:
				x.xxx ±0.15	APPROVE	DATE	SHEET	2/4	4.19mm Wafer, Double Row, S/T SMT, H=11.44mm
AO	2020/12/09	NEW RELEASE	Andrey	Angle ± 3'			PROJ.	⌀	Customer NO.
REV	DATE	MODIFICATION DESCRIPTION	CHANGE	DIM TOL					

WCON

Http: www.wcon.com

WCON-Dongguan Tel: +86 769 85358920 Fax: +86 769 85358915 E-mail: sales@wcon.com	WCON-Kunshan Tel: +86 512 57468408 Fax: +86 512 57468468 E-mail: salesks@wcon.com
---	--

HSF



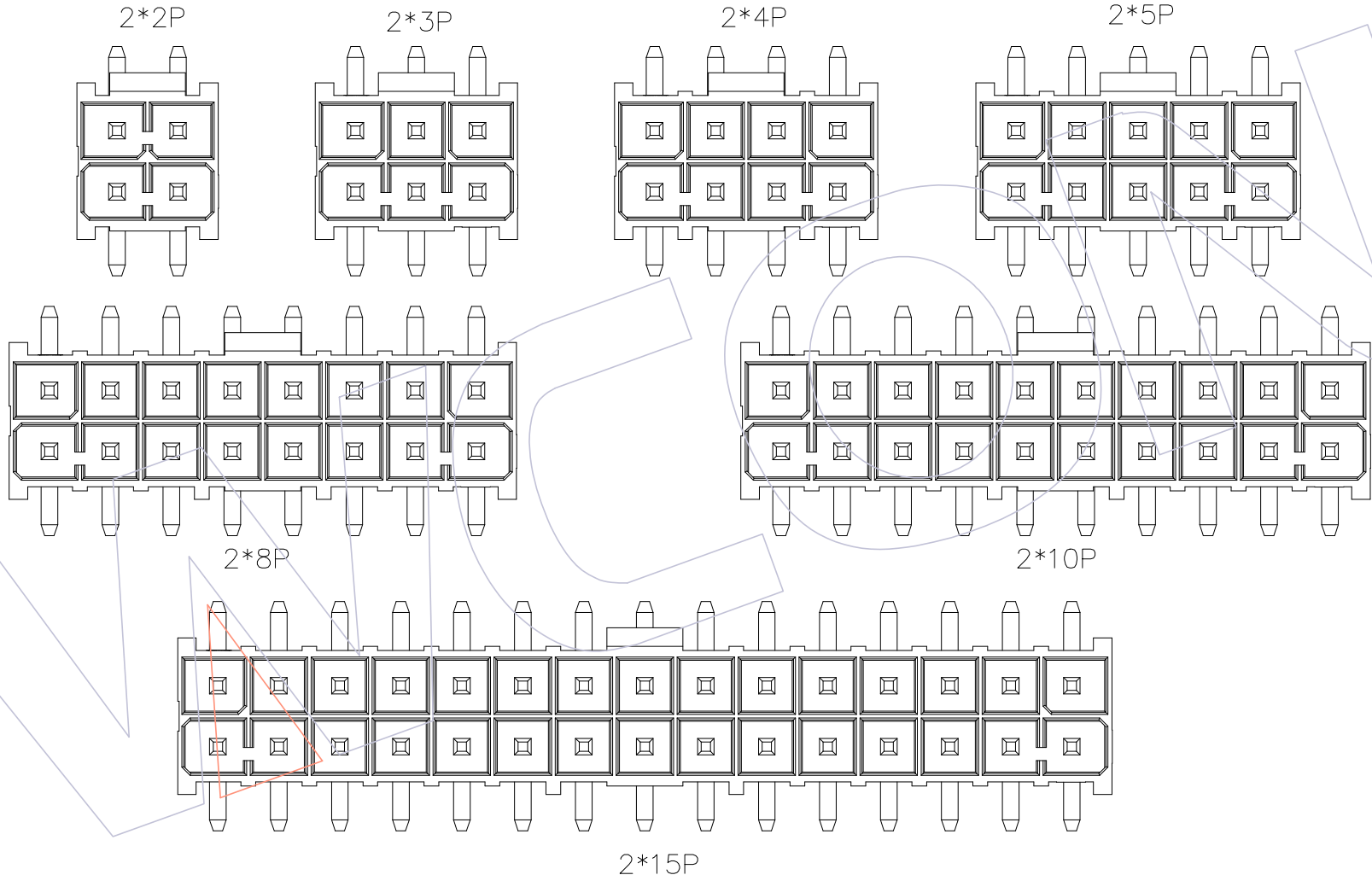
				OPERATION	DRAW	DATE	SCALE	Fit	PART NO.
				x.x ±0.40	Andrey	2020/12/09	UNIT	mm	WF4191(A)-2WMXXXXBX1
				x.xx ±0.25	CHECK	DATE	SIZE	A4	TITLE:
				x.xxx ±0.15	APPROVE	DATE	SHEET	3/4	4.19mm Wafer, Double Row, S/T SMT, H=11.44mm
AO	2020/12/09	NEW RELEASE	Andrey	Angle ± 3'			PROJ.	⌀	Customer NO.
REV	DATE	MODIFICATION DESCRIPTION	CHANGE	DIM TOL					

WCON

Http: www.wcon.com

WCON-Dongguan Tel: +86 769 85358920 Fax: +86 769 85358915 E-mail: sales@wcon.com	WCON-Kunshan Tel: +86 512 57468408 Fax: +86 512 57468468 E-mail: salesks@wcon.com
---	--

HSF



				OPERATION	DRAW	DATE	SCALE	Fit	PART NO.
				x.X ±0.40	Andrey	2020/12/09	UNIT	mm	WF4191(A)-2WMXXXXBX1
				x.XX ±0.25	CHECK	DATE	SIZE	A4	TITLE:
				x.XXX ±0.15	APPROVE	DATE	SHEET	4/4	4.19mm Wafer, Double Row, S/T SMT, H=11.44mm
AO	2020/12/09	NEW RELEASE	Andrey	Angle ± 3'			PROJ.	⊕	Customer NO.
REV	DATE	MODIFICATION DESCRIPTION	CHANGE	DIM TOL					

WCON
 Http: www.wcon.com

WCON-Dongguan Tel: +86 769 85358920 Fax: +86 769 85358915 E-mail: sales@wcon.com	WCON-Kunshan Tel: +86 512 57468408 Fax: +86 512 57468468 E-mail: salesks@wcon.com
---	--