

HSF

NOTES:

Current Rating:8A/Pin(AT 30℃ Rise, 20% Derated)
 Voltage Rating:400V/AC
 Contact Resistance:20mΩ Max.
 Withstand Voltage:1500V AC
 Insulation Resistance:1000MΩ Min.
 Operation Temperature:-40℃ to +105℃
 Insulator Material:PA66,G.F,UL94V-0,White

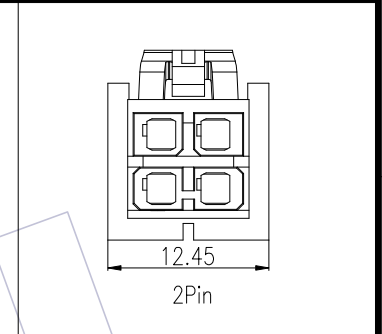
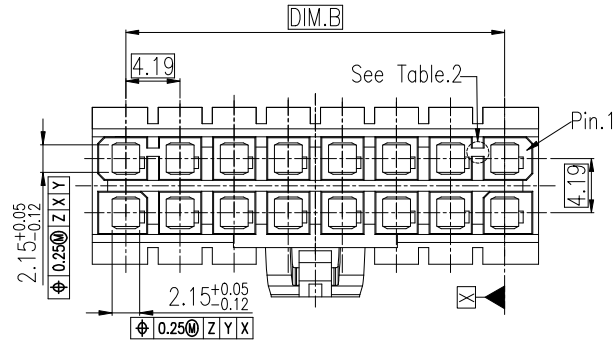
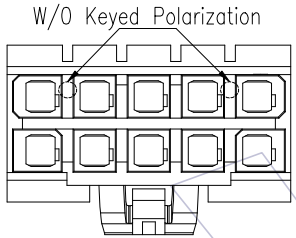
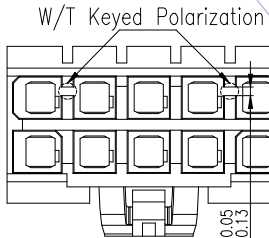


Table.2:

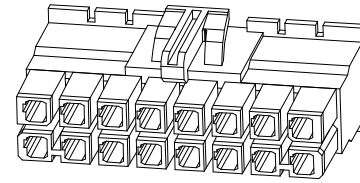
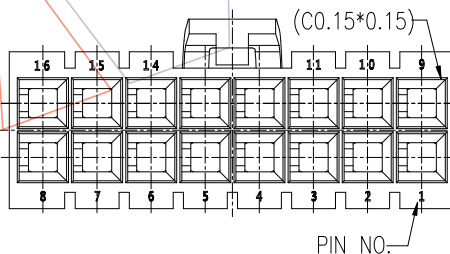
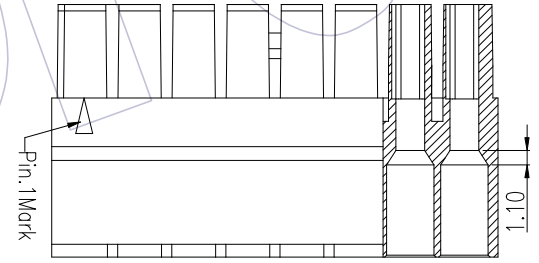
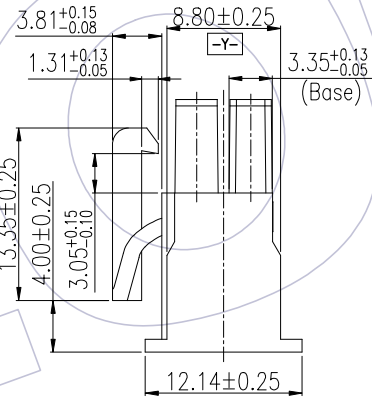
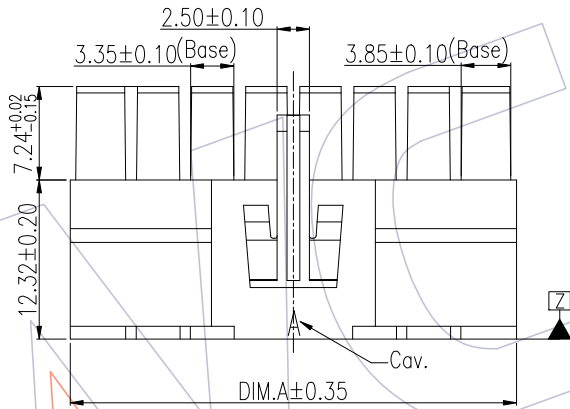


WF4191-2HXXWX1



WF4191A-2HXXWX1

0.65+0.05/-0.13



3D VIEW

Table.1:

PIN No.	Part No.	Dimension	
		A	B
2x2P	WF4191(A)-2H02WX1	12.45	4.19
2x3P	WF4191(A)-2H03WX1	13.59	8.38
2x4P	WF4191(A)-2H04WX1	17.78	12.57
2x5P	WF4191(A)-2H05WX1	21.97	16.76
2x8P	WF4191(A)-2H08WX1	34.54	29.33
2x10P	WF4191(A)-2H10WX1	42.92	37.71
2x15P	WF4191(A)-2H15WX1	63.87	58.66

OPERATION	DRAW	DATE	SCALE	Fit	PART NO.
x.X ±0.40	Andrey	2020/12/09	UNIT	mm	WF4191(A)-2HXXWX1
x.XX ±0.25	CHECK	DATE	SIZE	A4	TITLE:
x.XXX ±0.15	APPROVE	DATE	SHEET	1/4	4.19mm Housing Double Row, Narrow Latch, Crimp Type
Angle ± 3'			PROJ.		Customer NO.
DIM TOL					

WCON
 Http: www.wcon.com

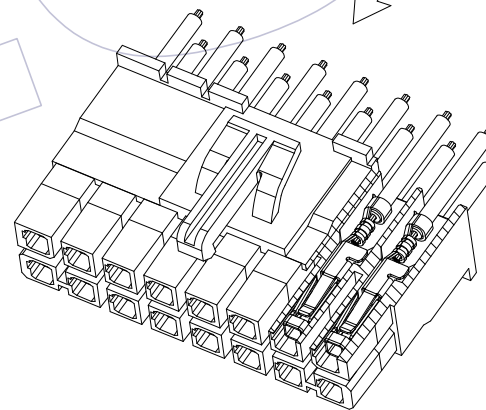
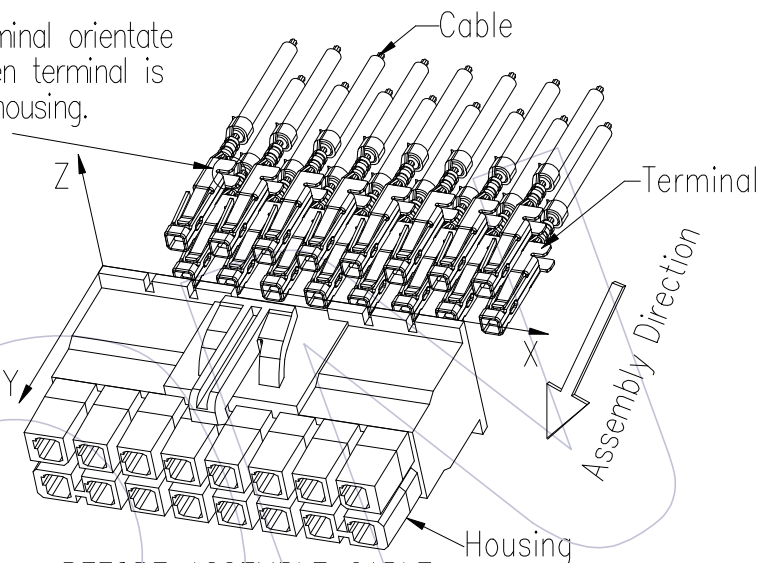
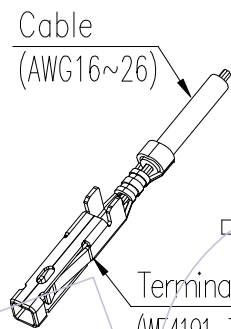
WCON-Dongguan
 Tel: +86 769 85358920
 Fax: +86 769 85358915
 E-mail: sales@wcon.com

WCON-Kunshan
 Tel: +86 512 57468408
 Fax: +86 512 57468468
 E-mail: salesks@wcon.com

AO	2020/12/09	NEW RELEASE	Andrey
REV	DATE	MODIFICATION DESCRIPTION	CHANGE

HSF

This part of terminal orientate direction X when terminal is assembled into housing.



Ordering Information

WF 4191 A- 2 H XX W 0 1

- Company Code
- Series Code: 419= 4.19mm Pitch
1= First series
- Specification Code:
A=W/T Keyed Polarization
Blank=W/O Keyed Polarization
- Row Code:
1=Single Row
2=Double Row
- Wcon Internal Code:
1~9
- Packing:
0=PE Bag(2P~5P)
T=TUBE(6P~15P)
- Color:
W=White
- No. of Pins:
2*2P~2*15P
- Type Code:
H=Wiring Type

				OPERATION	DRAW	DATE	SCALE	Fit	PART NO.
				x.x ±0.40	Andrey	2020/12/09	UNIT	mm	WF4191(A)-2HXXWX1
				x.xx ±0.25	CHECK	DATE	SIZE	A4	TITLE:
				x.xxx ±0.15	APPROVE	DATE	SHEET	2/4	4.19mm Housing Double Row, Narrow Latch, Crimp Type
AO	2020/12/09	NEW RELEASE	Andrey	Angle ± 3'			PROJ.	⊕	Customer NO.
REV	DATE	MODIFICATION DESCRIPTION	CHANGE	DIM TOL					

WCON

Http: www.wcon.com

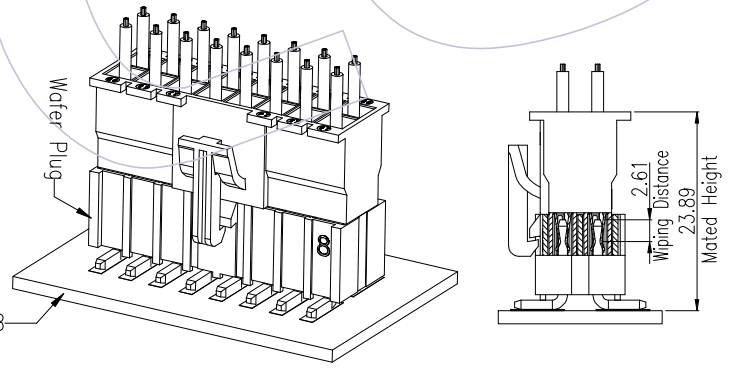
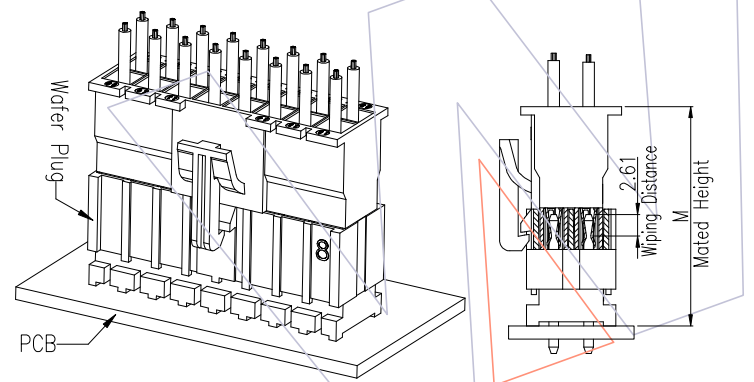
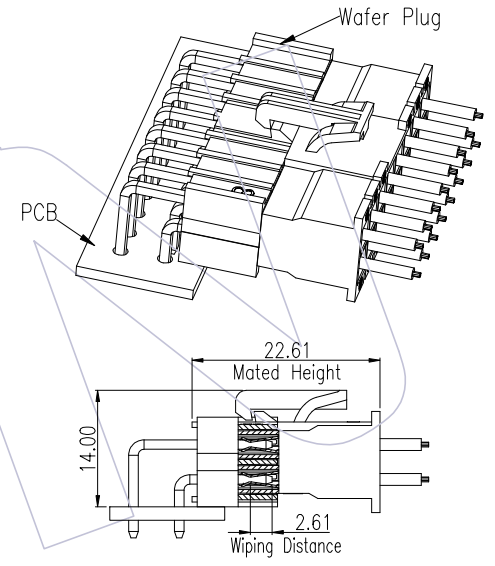
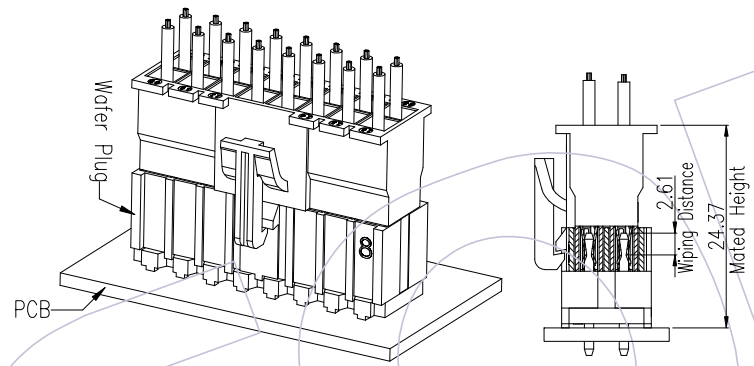
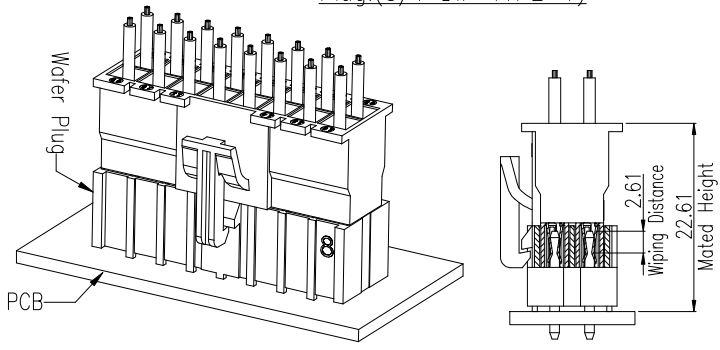
WCON-Dongguan Tel: +86 769 85358920 Fax: +86 769 85358915 E-mail: sales@wcon.com	WCON-Kunshan Tel: +86 512 57468408 Fax: +86 512 57468468 E-mail: salesks@wcon.com
---	--

HSF

Plug:(R/A DIP TYPE)

Plug:(S/T DIP TYPE-1)

Plug:(S/T DIP TYPE-2)



Plug:(S/T DIP TYPE-3)

Plug:(S/T SMT TYPE)

HOUSING	ADAPTATION	WAFER	"M"
WF4191-2HXXW01	WF4191-2WRXXXXBX1		
	WF4191-2WSXXXXBX1		
	WF4191B-2WSXXXXBX1		26.37
	WF4191B-2WSXXXXBX2		27.37
	WF4191B-2WSXXXXBX3		32.37
WF4191A-2HXXW01	WF4191B-2WSXXXXBX4		
	WF4191-2WMXXXXBX1		
	WF4191A-2WRXXXXBX1		
	WF4191A-2WSXXXXBX1		
	WF4191C-2WSXXXXBX1		26.37
	WF4191C-2WSXXXXBX2		27.37
	WF4191C-2WSXXXXBX3		32.37
	WF4191C-2WSXXXXBX4		
	WF4191A-2WMXXXXBX1		

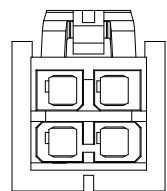
				OPERATION	DRAW	DATE	SCALE	Fit	PART NO.
				x.x ±0.40	Andrey	2020/12/09	UNIT	mm	WF4191(A)-2HXXW1
				x.xx ±0.25	CHECK	DATE	SIZE	A4	TITLE:
AO	2020/12/09	NEW RELEASE	Andrey	x.xxx ±0.15	APPROVE	DATE	SHEET	3/4	4.19mm Housing Double Row, Narrow Latch, Crimp Type
REV	DATE	MODIFICATION DESCRIPTION	CHANGE	Angle ± 3'			PROJ.	⌀	Customer NO.
				DIM TOL					

WCON

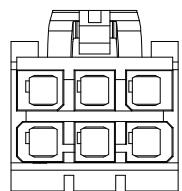
Http: www.wcon.com

WCON-Dongguan Tel: +86 769 85358920 Fax: +86 769 85358915 E-mail: sales@wcon.com	WCON-Kunshan Tel: +86 512 57468408 Fax: +86 512 57468468 E-mail: salesks@wcon.com
---	--

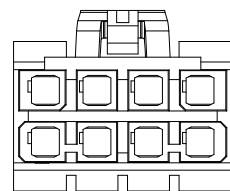
HSF



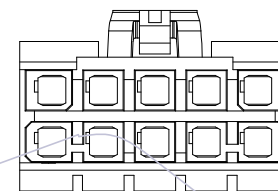
2*2P



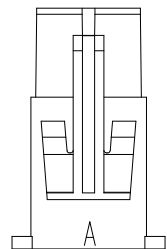
2*3P



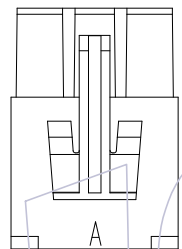
2*4P



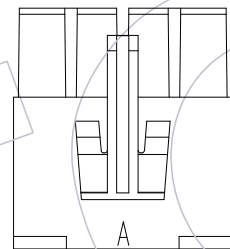
2*5P



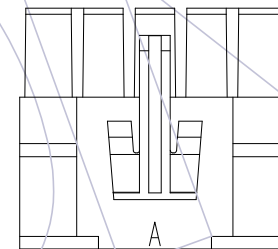
A



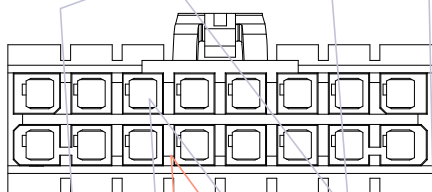
A



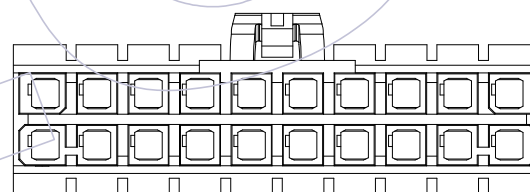
A



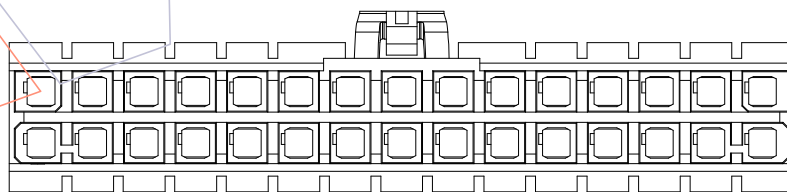
A



2*8P



2*10P



2*15P

OPERATION

x.X ±0.40

x.XX ±0.25

x.XXX ±0.15

Angle ± 3'

DIM TOL

DRAW

Andrey

CHECK

APPROVE

DATE

DATE

DATE

2020/12/09

DATE

DATE

DATE

DATE

SCALE

UNIT

SIZE

SHEET

PROJ.

Fit

mm

A4

4/4

Customer NO.

PART NO.

WF4191(A)-2HXXWX1

TITLE:

4.19mm Housing Double Row,
Narrow Latch, Crimp Type

Customer NO.

WCON

Http: www.wcon.com

WCON-Dongguan
Tel: +86 769 85358920
Fax: +86 769 85358915
E-mail: sales@wcon.com

WCON-Kunshan
Tel: +86 512 57468408
Fax: +86 512 57468468
E-mail: sales@wcon.com

AO 2020/12/09

NEW RELEASE

Andrey

REV DATE

MODIFICATION DESCRIPTION

CHANGE