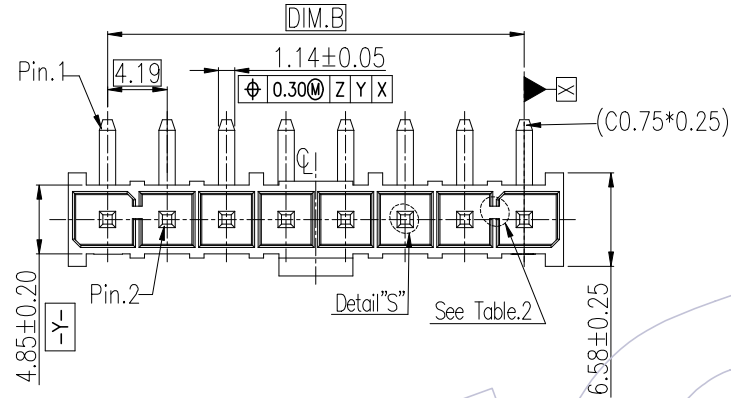


# HSF

**NOTES:**  
 Current Rating:4.11A/Pin(AT 30°C Rise, 20% Derated)  
 Voltage Rating:400V/AC  
 Contact Resistance:20mΩ Max.  
 Withstand Voltage:1500V AC  
 Insulation Resistance:1000MΩ Min.  
 Operation Temperature:-40°C to +105°C  
 Insulator Material:LCP,G.F,UL94V-0,Black  
 Contact Material:Copper Alloy  
 Contact plating:  
 SM: 100u" Matte Tin Over 50u" Nickel

Recommended Process:  
 IR Stove,Peak temperature:260±5°C



Recommended P.C.B Layout(Top Side)  
 (PCB BOARD TOLERANCE±0.05)  
 PCB BOARD THICKNESS:1.6~2.0

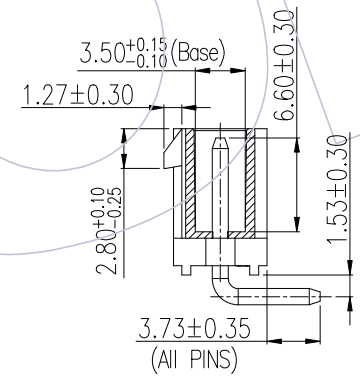
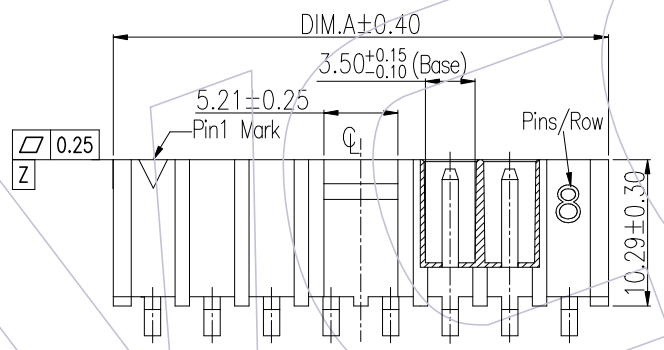
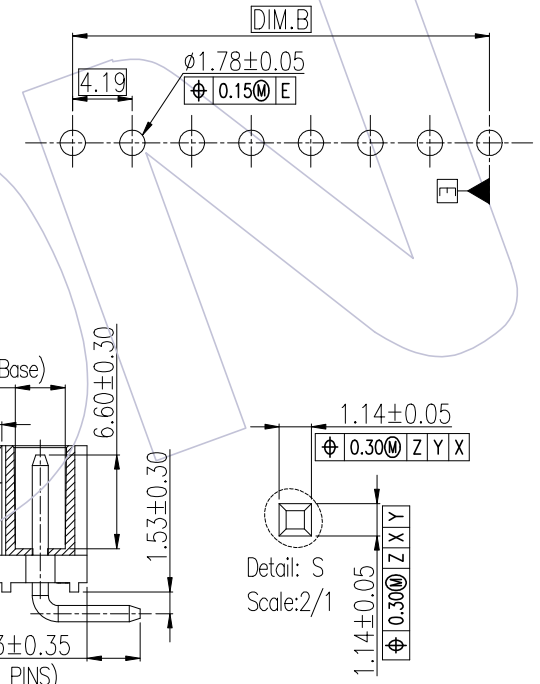


Table.2:

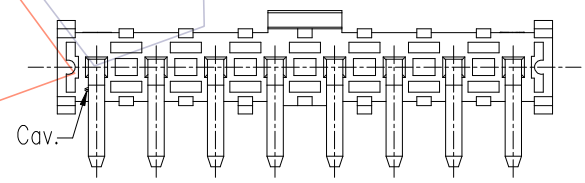
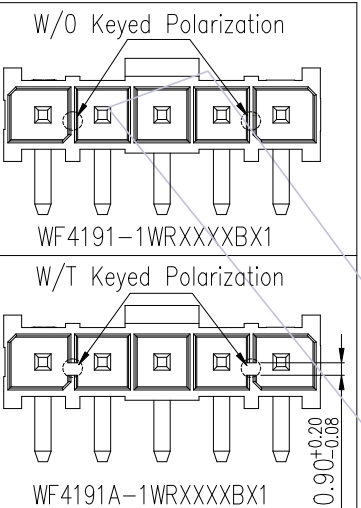


Table.1:

Pin No.	Part No.	DIM.A	DIM.B
2P	WF4191(A)-1WR02XXBX1	9.71	4.19
3P	WF4191(A)-1WR03XXBX1	13.90	8.38
4P	WF4191(A)-1WR04XXBX1	18.09	12.57
5P	WF4191(A)-1WR05XXBX1	22.28	16.76
8P	WF4191(A)-1WR08XXBX1	34.85	29.33
10P	WF4191(A)-1WR10XXBX1	43.23	37.71

REV	DATE	MODIFICATION DESCRIPTION	CHANGE	OPERATION	DRAW	DATE	SCALE	Fit	PART NO.
AO	2020/12/09	NEW RELEASE	Andrey	x.x ±0.40	Andrey	2020/12/09	UNIT	mm	WF4191(A)-1WRXXXXBX1
				x.xx ±0.25	CHECK	DATE	SIZE	A4	TITLE:
				x.xxx ±0.15	APPROVE	DATE	SHEET	1/4	4.19mm Wafer, Single Row, R/A DIP, DIP Height=3.73mm
				Angle ± 3'			PROJ.	Customer NO.	
				DIM TOL					

**WCON**  
 Http: www.wcon.com

WCON-Dongguan  
 Tel: +86 769 85358920  
 Fax: +86 769 85358915  
 E-mail: sales@wcon.com

WCON-Kunshan  
 Tel: +86 512 57468408  
 Fax: +86 512 57468468  
 E-mail: salesks@wcon.com

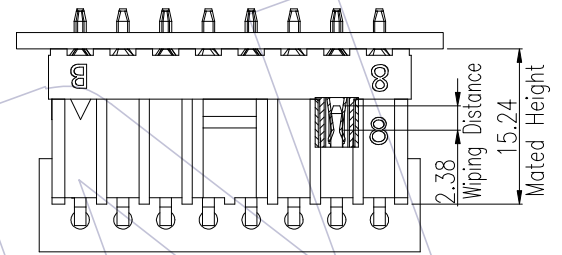
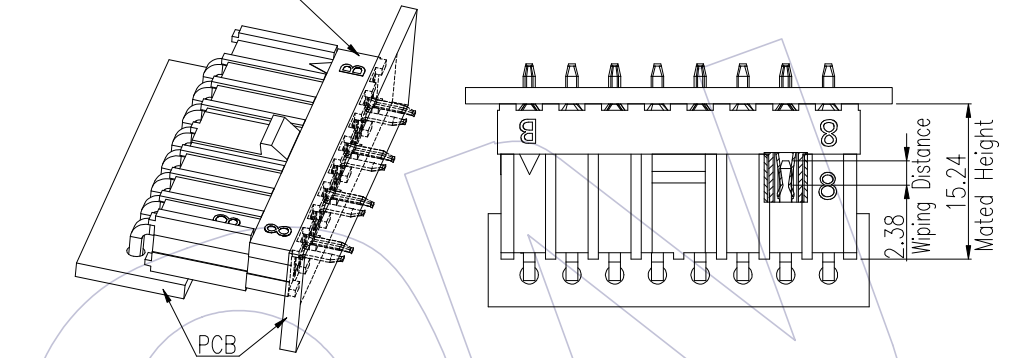
**HSF**

**Ordering Information**

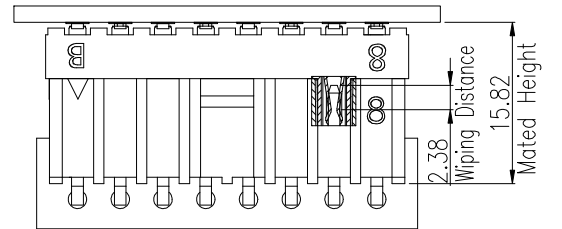
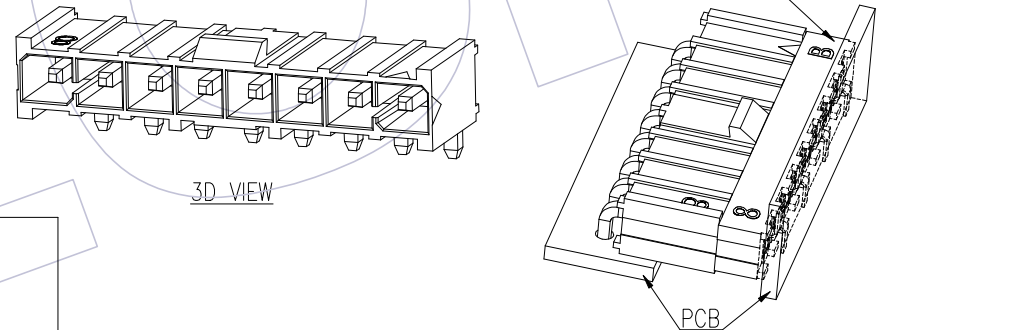
**WF 4191 A - 1 WR XX SM B T 1**

Company Code:	Wcon Internal Code:
Series Code:	1~9
419= 4.19mm Pitch	Packing:
1= First series	T=TUBE
Specification Code:	Color:
A=W/T Keyed Polarization	B=Black
Blank=W/O Keyed Polarization	Contact Plating:
Row Code:	SM: 100u" Matte Tin
1=Single Row	Over 50u" Nickel
2=Double Row	No. of Pins:
Type Code:	2P~10P
WR=90° DIP	

WF4191-1FMXXXXBX1

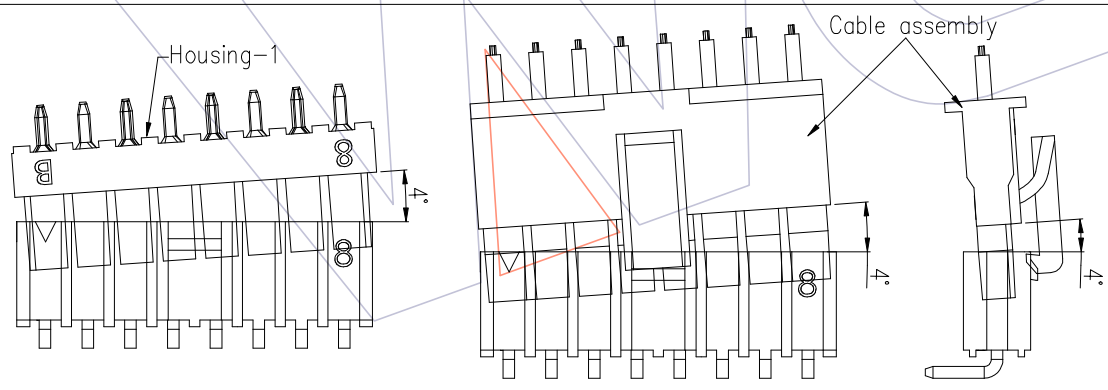


WF4191-1FSXXXXBX1



3D VIEW

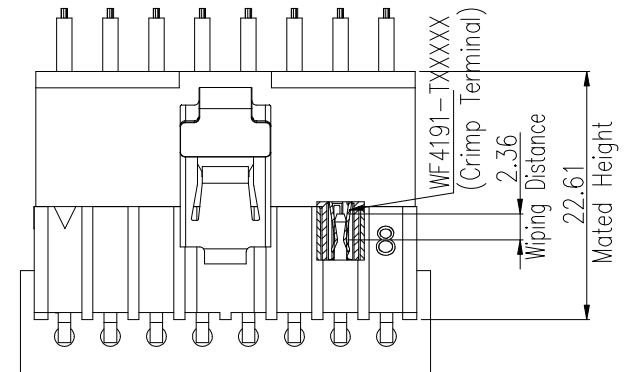
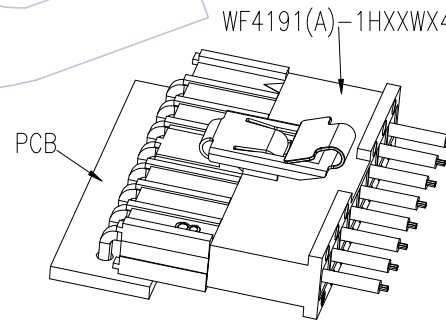
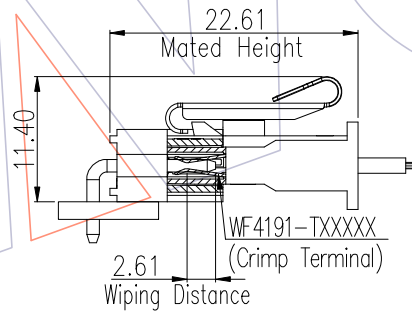
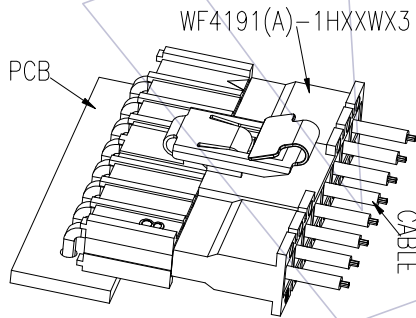
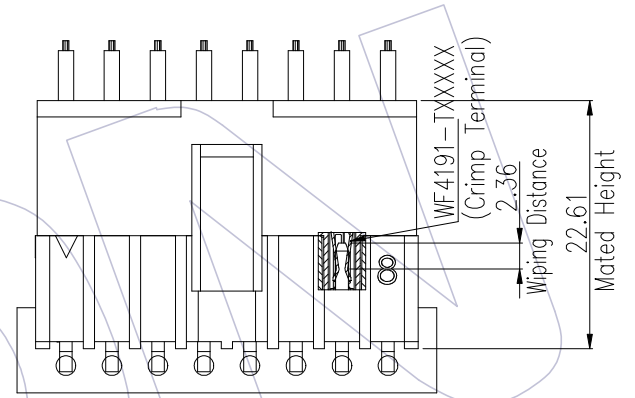
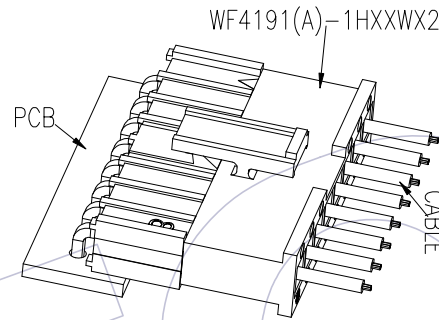
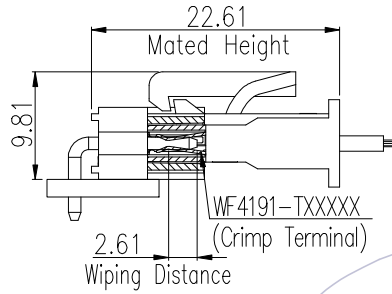
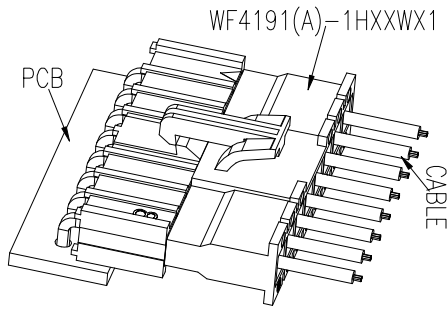
ALLOWED ANGULAR INCLINATION TOLERANCES LONGITUDINAL: ±4°



				OPERATION	DRAW	DATE	SCALE	Fit	PART NO.
				x.x ±0.40	Andrey	2020/12/09	UNIT	mm	WF4191(A)-1WRXXXXBX1
				x.xx ±0.25	CHECK	DATE	SIZE	A4	TITLE:
				x.xxx ±0.15	APPROVE	DATE	SHEET	2/4	4.19mm Wafer, Single Row, R/A DIP, DIP Height=3.73mm
AO	2020/12/09	NEW RELEASE	Andrey	Angle ± 3'			PROJ.	⌀	Customer NO.
REV	DATE	MODIFICATION DESCRIPTION	CHANGE	DIM TOL					

**WCON**  
 Http: www.wcon.com  
 WCON-Dongguan Tel: +86 769 85358920 Fax: +86 769 85358915 E-mail: sales@wcon.com  
 WCON-Kunshan Tel: +86 512 57468408 Fax: +86 512 57468468 E-mail: salesks@wcon.com

HSF



OPERATION	DRAW	DATE	SCALE	Fit	PART NO.
x.x ±0.40	Andrey	2020/12/09	UNIT	mm	WF4191(A)-1WRXXXXBX1
x.xx ±0.25	CHECK	DATE	SIZE	A4	TITLE:
x.xxx ±0.15	APPROVE	DATE	SHEET	3/4	4.19mm Wafer, Single Row, R/A DIP, DIP Height=3.73mm
Angle ± 3'			PROJ.	⌀	Customer NO.
DIM TOL					

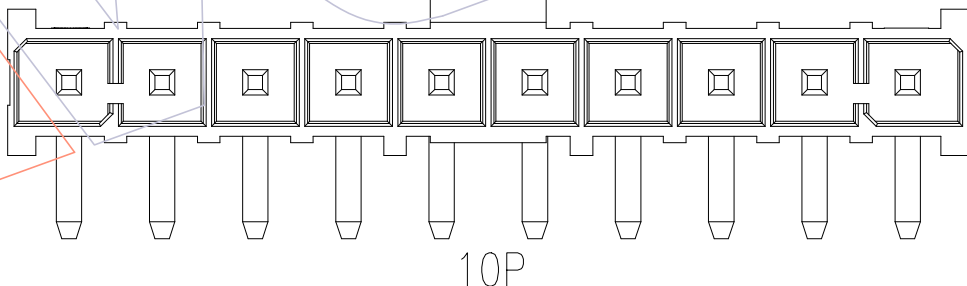
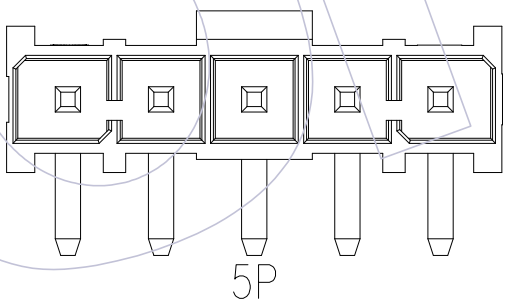
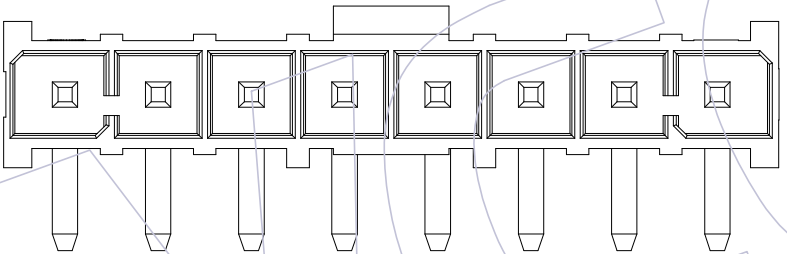
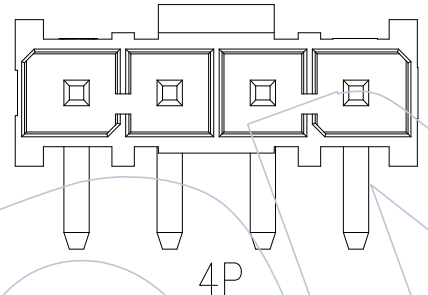
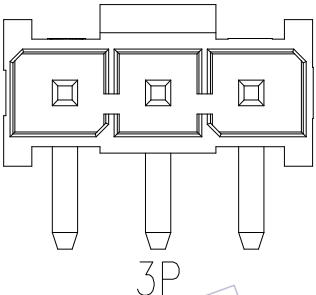
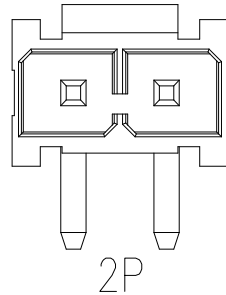
AO	2020/12/09	NEW RELEASE	Andrey
REV	DATE	MODIFICATION DESCRIPTION	CHANGE

**WCON**

Http: www.wcon.com

WCON-Dongguan Tel: +86 769 85358920 Fax: +86 769 85358915 E-mail: sales@wcon.com	WCON-Kunshan Tel: +86 512 57468408 Fax: +86 512 57468468 E-mail: salesks@wcon.com
---	--

HSF



				OPERATION	DRAW	DATE	SCALE	Fit	PART NO.
				x.X ±0.40	Andrey	2020/12/09	UNIT	mm	WF4191(A)-1WRXXXXBX1
				x.XX ±0.25	CHECK	DATE	SIZE	A4	TITLE:
AO	2020/12/09	NEW RELEASE	Andrey	x.XXX ±0.15	APPROVE	DATE	SHEET	4/4	4.19mm Wafer, Single Row, R/A DIP, DIP Height=3.73mm
REV	DATE	MODIFICATION DESCRIPTION	CHANGE	Angle ± 3'			PROJ.	⊕	Customer NO.
				DIM TOL					

**WCON**  
 Http: www.wcon.com

WCON-Dongguan Tel: +86 769 85358920 Fax: +86 769 85358915 E-mail: sales@wcon.com	WCON-Kunshan Tel: +86 512 57468408 Fax: +86 512 57468468 E-mail: sales@wcon.com
---	--