

# HSF

NOTES:  
 Current Rating: 4.11A/Pin (AT 30°C Rise, 20% Derated)  
 Voltage Rating: 400V/AC  
 Contact Resistance: 20mΩ Max.  
 Withstand Voltage: 1500V AC  
 Insulation Resistance: 1000MΩ Min.  
 Operation Temperature: -40°C to +105°C  
 Insulator Material: LCP, G.F, UL94V-0, Black  
 Contact Material: Copper Alloy  
 Contact plating:  
 SM: 100u" Matte Tin Over 50u" Nickel

Recommended Process:  
 IR Stove, Peak temperature: 260±5°C

Recommended P.C.B Layout (Top Side)  
 (PCB BOARD TOLERANCE ±0.05)  
 PCB BOARD THICKNESS: 1.6~2.0

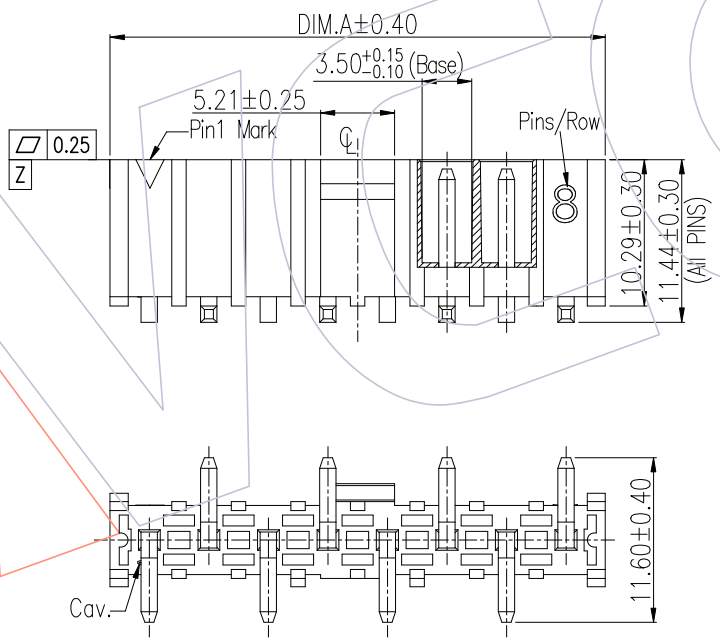
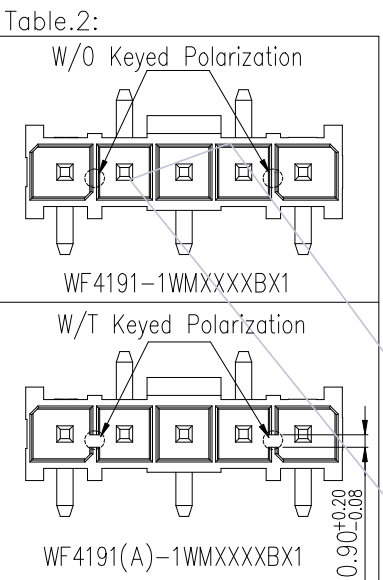
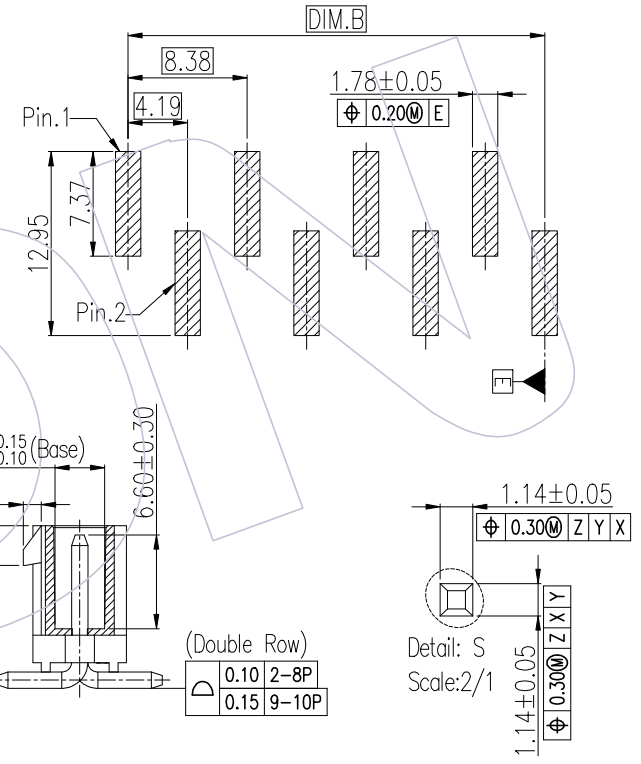
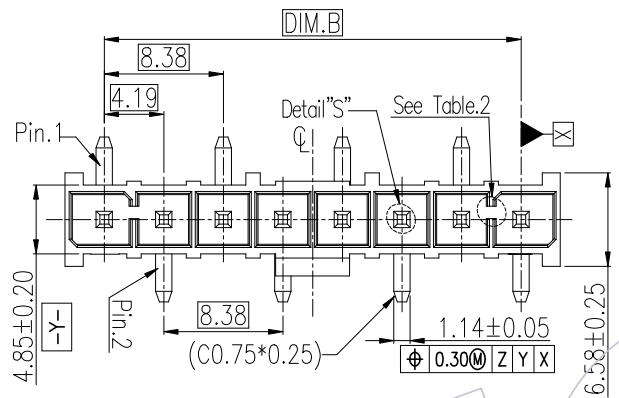


Table.1:

Pin No.	Part No.	DIM.A	DIM.B
2P	WF4191(A)-1WM02XXBX1	9.71	4.19
3P	WF4191(A)-1WM03XXBX1	13.90	8.38
4P	WF4191(A)-1WM04XXBX1	18.09	12.57
5P	WF4191(A)-1WM05XXBX1	22.28	16.76
8P	WF4191(A)-1WM08XXBX1	34.85	29.33
10P	WF4191(A)-1WM10XXBX1	43.23	37.71

REV	DATE	MODIFICATION DESCRIPTION	CHANGE	OPERATION	DRAW	DATE	SCALE	Fit	PART NO.
AO	2020/12/09	NEW RELEASE	Andrey	x.X ±0.40	Andrey	2020/12/09	UNIT	mm	WF4191(A)-1WMXXXXBX1
				x.XX ±0.25	CHECK	DATE	SIZE	A4	TITLE:
				x.XXX ±0.15	APPROVE	DATE	SHEET	1/4	4.19mm Wafer, Single Row, S/T SMT, H=11.44mm
				Angle ± 3'			PROJ.	Customer NO.	
				DIM TOL					

**WCON**  
 Http: www.wcon.com

WCON-Dongguan  
 Tel: +86 769 85358920  
 Fax: +86 769 85358915  
 E-mail: sales@wcon.com

WCON-Kunshan  
 Tel: +86 512 57468408  
 Fax: +86 512 57468468  
 E-mail: salesks@wcon.com

# HSF

## Ordering Information

**WF 4191 A - 1 WM XX SM B T 1**

Company Code

Series Code:  
419= 4.19mm Pitch  
1= First series

Specification Code:  
A=W/T Keyed Polarization  
Blank=W/O Keyed Polarization

Row Code:  
1=Single Row  
2=Double Row

Type Code:  
WM=180° SMT

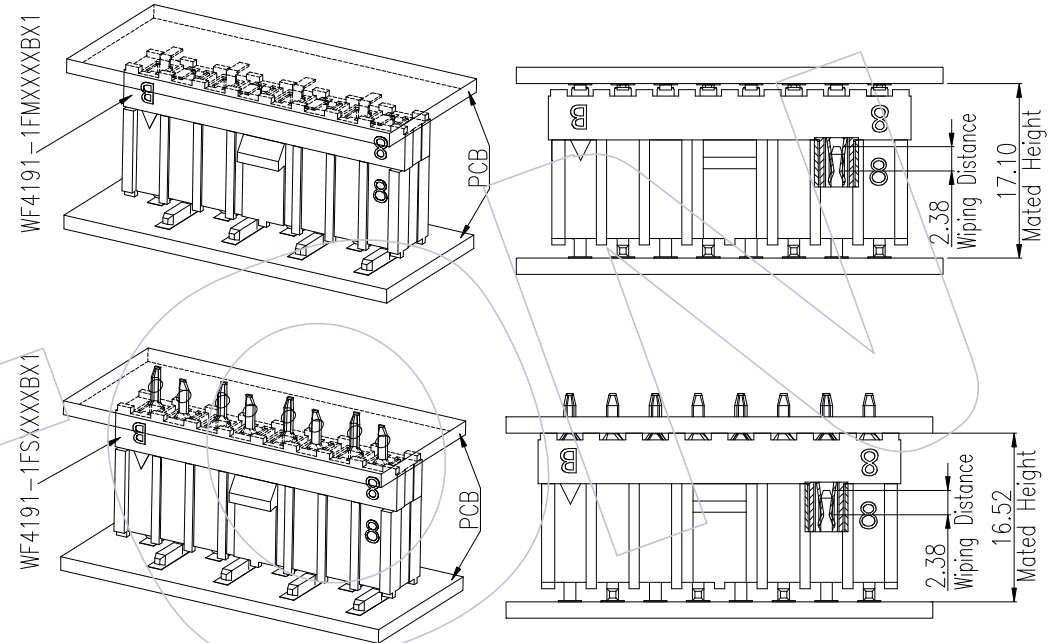
Wcon Internal Code:

1~9  
Packing:  
T=TUBE

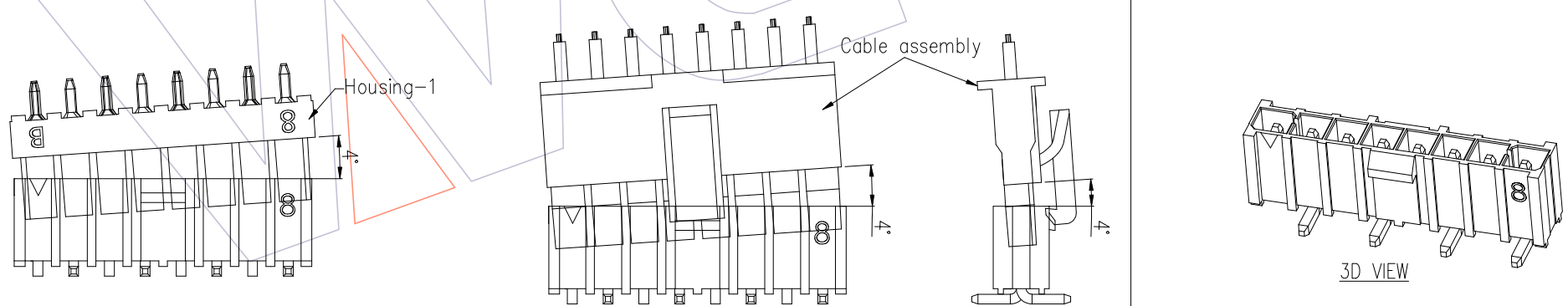
Color:  
B=Black

Contact Plating:  
SM: 100u" Matte Tin  
Over 50u" Nickel

No. of Pins:  
2P~10P



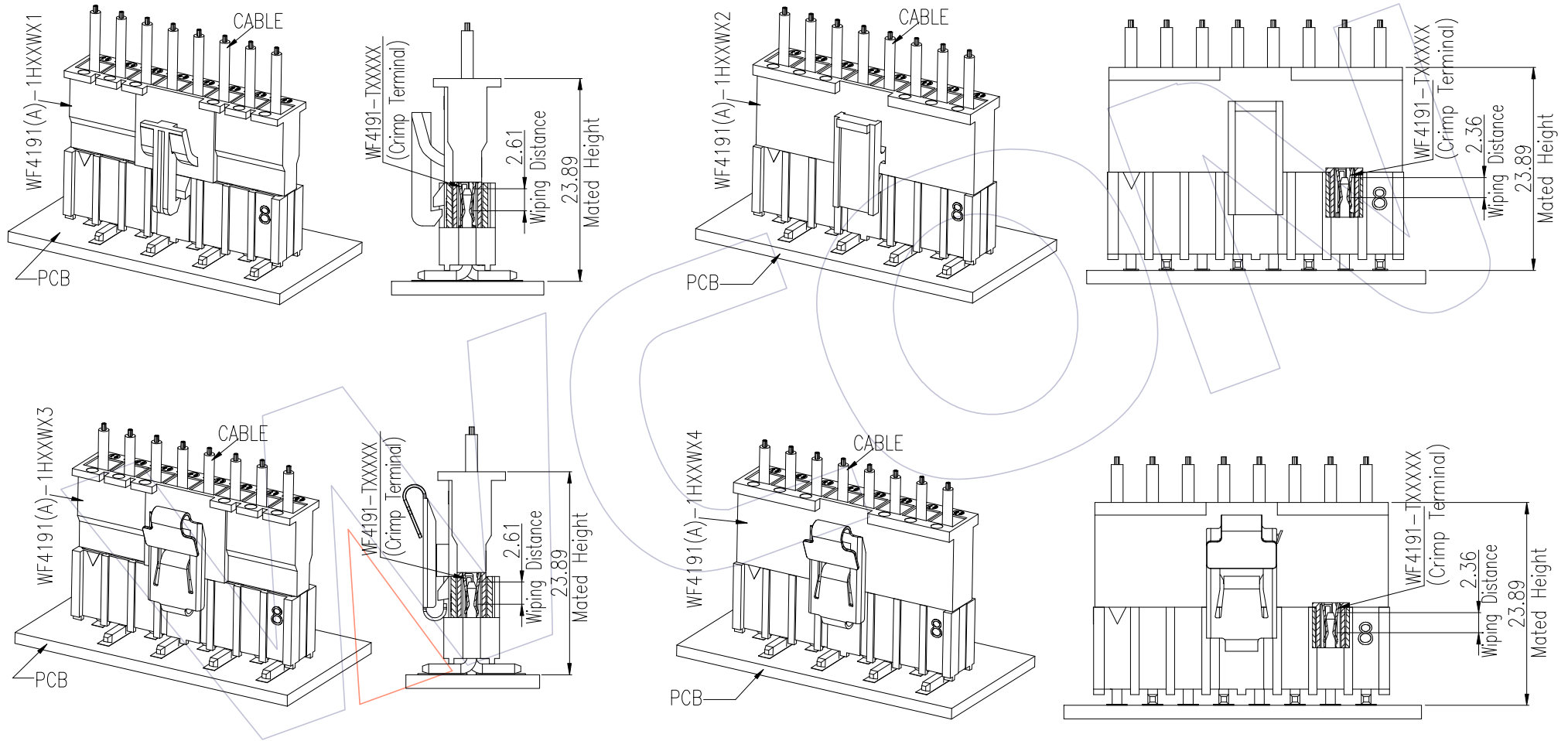
ALLOWED ANGULAR INCLINATION  
TOLERANCES LONGITUDINAL:  $\pm 4^\circ$



				OPERATION	DRAW	DATE	SCALE	Fit	PART NO.
				x.x ±0.40	Andrey	2020/12/09	UNIT	mm	WF4191(A)-1WMXXXXBX1
				x.xx ±0.25	CHECK	DATE	SIZE	A4	TITLE:
				x.xxx ±0.15	APPROVE	DATE	SHEET	2/4	4.19mm Wafer, Single Row, S/T SMT, H=11.44mm
AO	2020/12/09	NEW RELEASE	Andrey	Angle ± 3'			PROJ.	Customer NO.	
REV	DATE	MODIFICATION DESCRIPTION	CHANGE	DIM TOL					

**WCON**  
 Http: www.wcon.com  
 WCON-Dongguan Tel: +86 769 85358920  
 WCON-Kunshan Tel: +86 512 57468408  
 Fax: +86 769 85358915 Fax: +86 512 57468468  
 E-mail: sales@wcon.com E-mail: salesks@wcon.com

# HSF



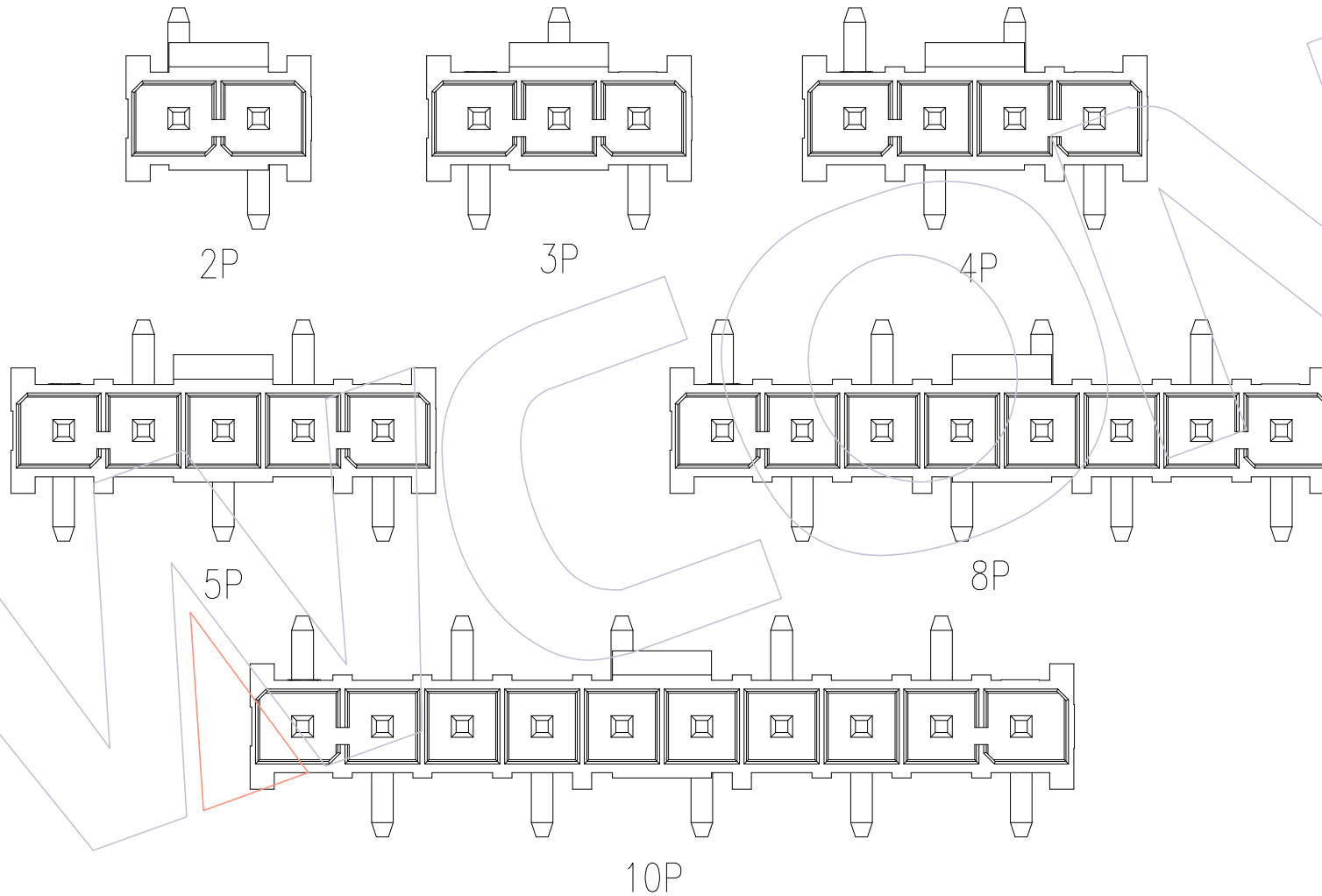
REV	DATE	MODIFICATION DESCRIPTION	CHANGE	OPERATION	DRAW	DATE	SCALE	Fit	PART NO.
AO	2020/12/09	NEW RELEASE	Andrey	x.X ±0.40	Andrey	2020/12/09	UNIT	mm	WF4191(A)-1WMXXXXBX1
				x.XX ±0.25	CHECK	DATE	SIZE	A4	TITLE:
				x.XXX ±0.15	APPROVE	DATE	SHEET	3/4	4.19mm Wafer, Single Row, S/T SMT, H=11.44mm
				Angle ± 3'			PROJ.	⌀	Customer NO.
				DIM TOL					


## WCON

Http: [www.wcon.com](http://www.wcon.com)

WCON-Dongguan Tel: +86 769 85358920 Fax: +86 769 85358915 E-mail: <a href="mailto:sales@wcon.com">sales@wcon.com</a>	WCON-Kunshan Tel: +86 512 57468408 Fax: +86 512 57468468 E-mail: <a href="mailto:salesks@wcon.com">salesks@wcon.com</a>
---	--

HSF



				OPERATION	DRAW	DATE	SCALE	Fit	PART NO.	 <a href="http://www.wcon.com">Http: www.wcon.com</a> WCON-Dongguan Tel: +86 769 85358920 Fax: +86 769 85358915 E-mail: sales@wcon.com	WCON-Kunshan Tel: +86 512 57468408 Fax: +86 512 57468468 E-mail: salesks@wcon.com
			x.X ±0.40	Andrey	2020/12/09	UNIT	mm	WF4191(A)-1WMXXXXB1			
			x.XX ±0.25	CHECK	DATE	SIZE	A4	TITLE:			
AO	2020/12/09	NEW RELEASE	x.XXX ±0.15	APPROVE	DATE	SHEET	4/4	4.19mm Wafer, Single Row, S/T SMT, H=11.44mm			
REV	DATE	MODIFICATION DESCRIPTION	CHANGE	Angle ± 3'			PROJ.	Customer NO.			
			DIM	TOL							