

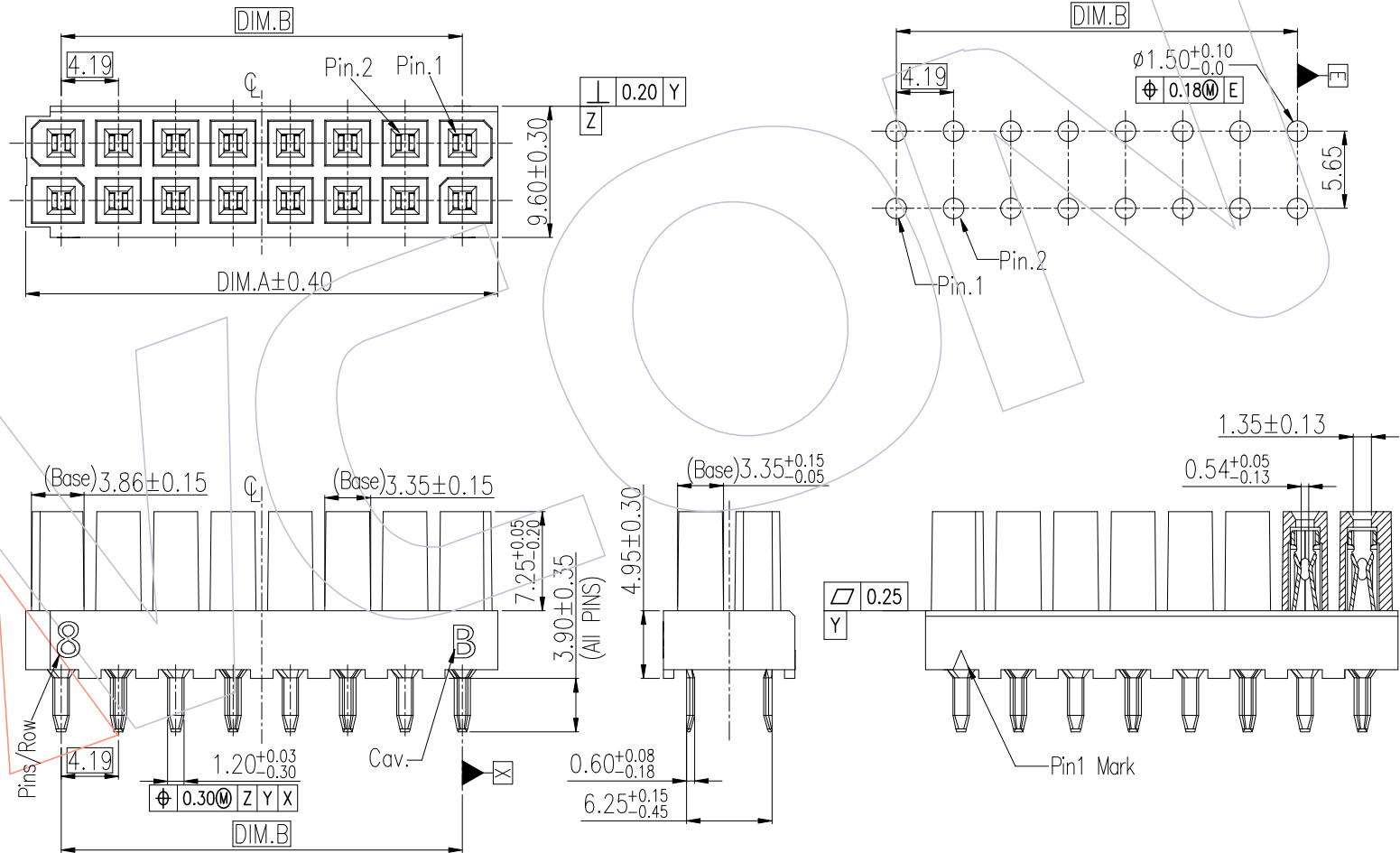
HSF

NOTES:

Current Rating:4.11A/Pin(MAX,AT 30°C Rise, 20% Derated)
 Voltage Rating:400V/AC
 Contact Resistance:20mΩ Max.
 Withstand Voltage:1500V AC
 Insulation Resistance:1000MΩ Min.
 Operation Temperature:-40°C~+105°C
 Insulator Material:LCP,G.F,UL94V-0,Black
 Contact Material:Copper Alloy
 Contact plating:See Ordering Information

Recommended Process:
 IR Stove,Peak temperature:260±5°C

Recommended P.C.B Layout(Top Side)
 (PCB BOARD TOLERANCE±0.05)
 PCB BOARD THICKNESS:1.6~2.0



REV	DATE	MODIFICATION DESCRIPTION	CHANGE	OPERATION	DRAW	DATE	SCALE	Fit	PART NO.
AO	2020/12/09	NEW RELEASE	Andrey	x.x ± 0.40	Andrey	2020/12/09	UNIT	mm	WF4191-2FSXXXXBX1
				x.xx ± 0.25	CHECK	DATE	SIZE	A4	TITLE:
				x.xxx ± 0.15	APPROVE	DATE	SHEET	1/4	4.19mm Socket, Double Row, S/T DIP, DIP Height=3.90mm
				Angle ± 3'			PROJ.	⊕	Customer NO.
				DIM TOL					

WCON
 Http: www.wcon.com

WCON-Dongguan
 Tel: +86 769 85358920
 Fax: +86 769 85358915
 E-mail: sales@wcon.com

WCON-Kunshan
 Tel: +86 512 57468408
 Fax: +86 512 57468468
 E-mail: salesks@wcon.com

HSF

Ordering Information

WF 4191 - 2 FS XX SM B T 1

Company Code: _____
 Series Code: _____
 419= 4.19mm Pitch
 1= First series
 Row Code: _____
 1=Single Row
 2=Double Row
 Type Code: _____
 FS=180° DIP

Wcon Internal Code: _____
 1~9
 Packing: _____
 T=TUBE
 Color: _____
 B=Black
 Contact Plating: _____
 SM: 100u" Matte Tin
 Over 50u" Nickel
 Blank: 100u" Tin Over 50u" Nickel
 No. of Pins: _____
 2*2P~2*15P

ALLOWED ANGULAR INCLINATION
 TOLERANCES LONGITUDINAL: $\pm 4^\circ$

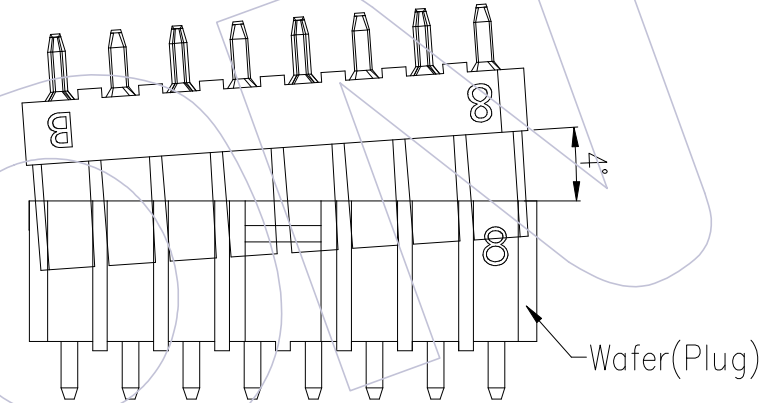
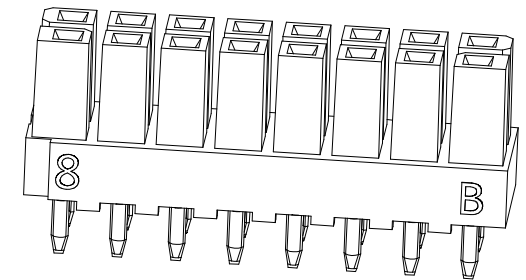



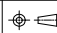
Table.1:

Pin No.	Part No.	DIM.A	DIM.B
2*2P	WF4191-2FS02XXBX1	9.40	4.19
2*3P	WF4191-2FS03XXBX1	13.59	8.38
2*4P	WF4191-2FS04XXBX1	17.78	12.57
2*5P	WF4191-2FS05XXBX1	21.97	16.76
2*8P	WF4191-2FS08XXBX1	34.54	29.33
2*10P	WF4191-2FS10XXBX1	42.92	37.71
2*15P	WF4191-2FS15XXBX1	63.87	58.66

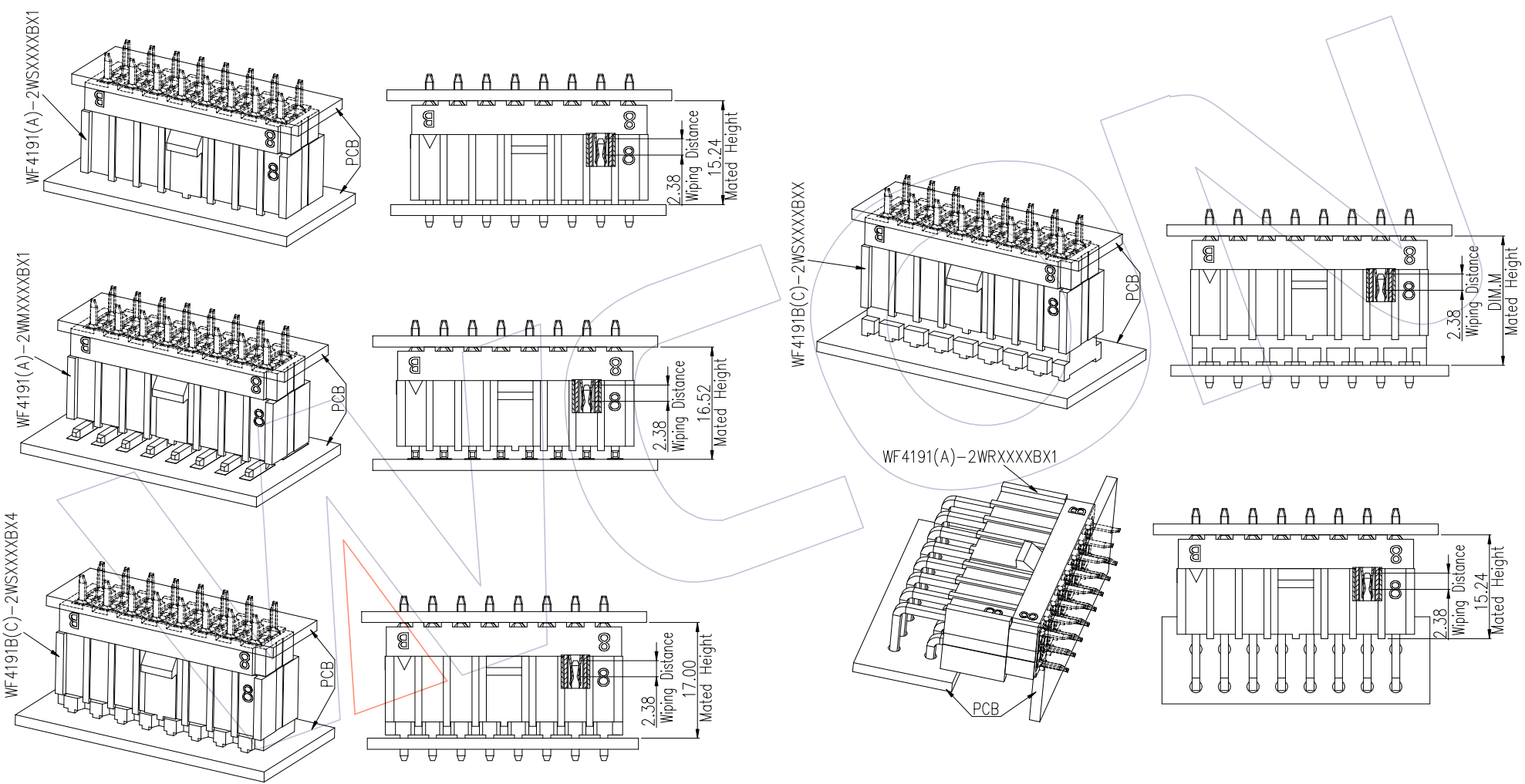
Table.2:

Mating With	DIM.M
WF4191B(C)-2WSXXXXBX1	19.00
WF4191B(C)-2WSXXXXBX2	20.00
WF4191B(C)-2WSXXXXBX3	25.00



REV	DATE	MODIFICATION DESCRIPTION	CHANGE	OPERATION	DRAW	DATE	SCALE	Fit	PART NO.	 Http: www.wcon.com
AO	2020/12/09	NEW RELEASE	Andrey	x.x ±0.40	Andrey	2020/12/09	UNIT	mm	WF4191-2FSXXXXBX1	
				x.xx ±0.25	CHECK	DATE	SIZE	A4	TITLE: 4.19mm Socket, Double Row, S/T DIP, DIP Height=3.90mm	WCON-Kunshan Tel: +86 512 57468408 Fax: +86 512 57468468 E-mail: salesks@wcon.com
				x.xxx ±0.15	APPROVE	DATE	SHEET	2/4	Customer NO.	
				Angle ± 3'			PROJ.			
				DIM TOL						

HSF



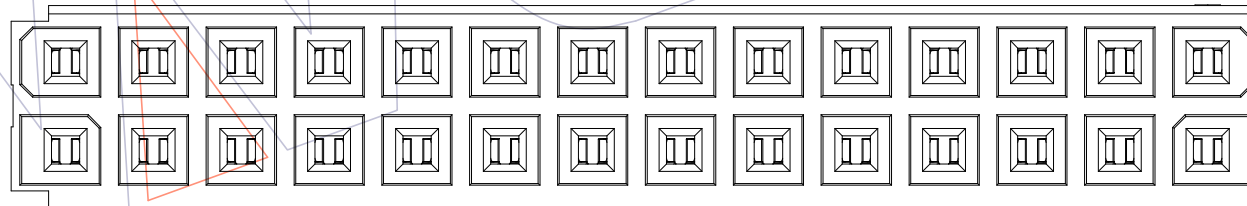
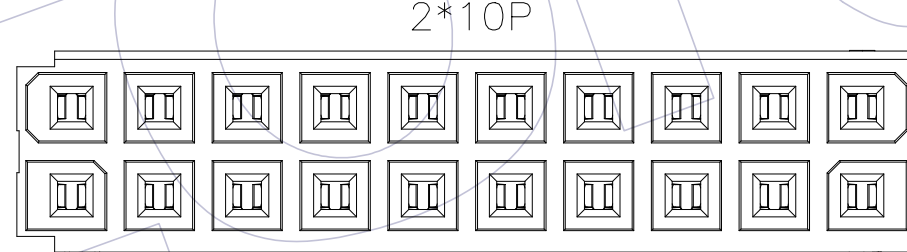
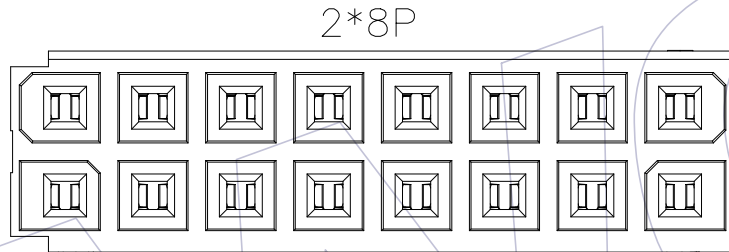
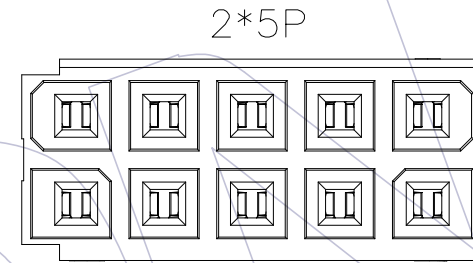
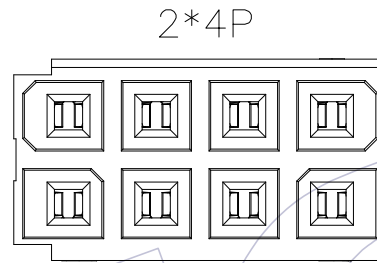
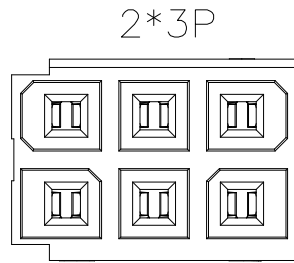
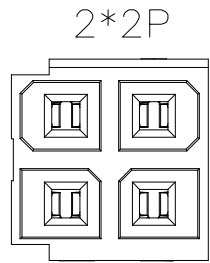
				OPERATION	DRAW	DATE	SCALE	Fit	PART NO.
				x.X ±0.40	Andrey	2020/12/09	UNIT	mm	WF4191-2FSXXXXBX1
				x.XX ±0.25	CHECK	DATE	SIZE	A4	TITLE:
				x.XXX ±0.15	APPROVE	DATE	SHEET	3/4	4.19mm Socket, Double Row, S/T DIP, DIP Height=3.90mm
AO	2020/12/09	NEW RELEASE	Andrey	Angle ± 3'			PROJ.	Customer NO.	
REV	DATE	MODIFICATION DESCRIPTION	CHANGE	DIM TOL					

WCON
 Http: www.wcon.com

WCON-Dongguan
 Tel: +86 769 85358920
 Fax: +86 769 85358915
 E-mail: sales@wcon.com

WCON-Kunshan
 Tel: +86 512 57468408
 Fax: +86 512 57468468
 E-mail: salesks@wcon.com

HSF



2*15P

				OPERATION	DRAW	DATE	SCALE	Fit	PART NO.
				x.x ±0.40	Andrey	2020/12/09	UNIT	mm	WF4191-2FSXXXBX1
				x.xx ±0.25	CHECK	DATE	SIZE	A4	TITLE:
AO	2020/12/09	NEW RELEASE	Andrey	x.xxx ±0.15	APPROVE	DATE	SHEET	4/4	4.19mm Socket, Double Row, S/T DIP, DIP Height=3.90mm
REV	DATE	MODIFICATION DESCRIPTION	CHANGE	Angle ± 3'			PROJ.	⊕	Customer NO.
				DIM TOL					

WCON

Http: www.wcon.com

WCON-Dongguan
Tel: +86 769 85358920
Fax: +86 769 85358915
E-mail: sales@wcon.com

WCON-Kunshan
Tel: +86 512 57468408
Fax: +86 512 57468468
E-mail: salesks@wcon.com