

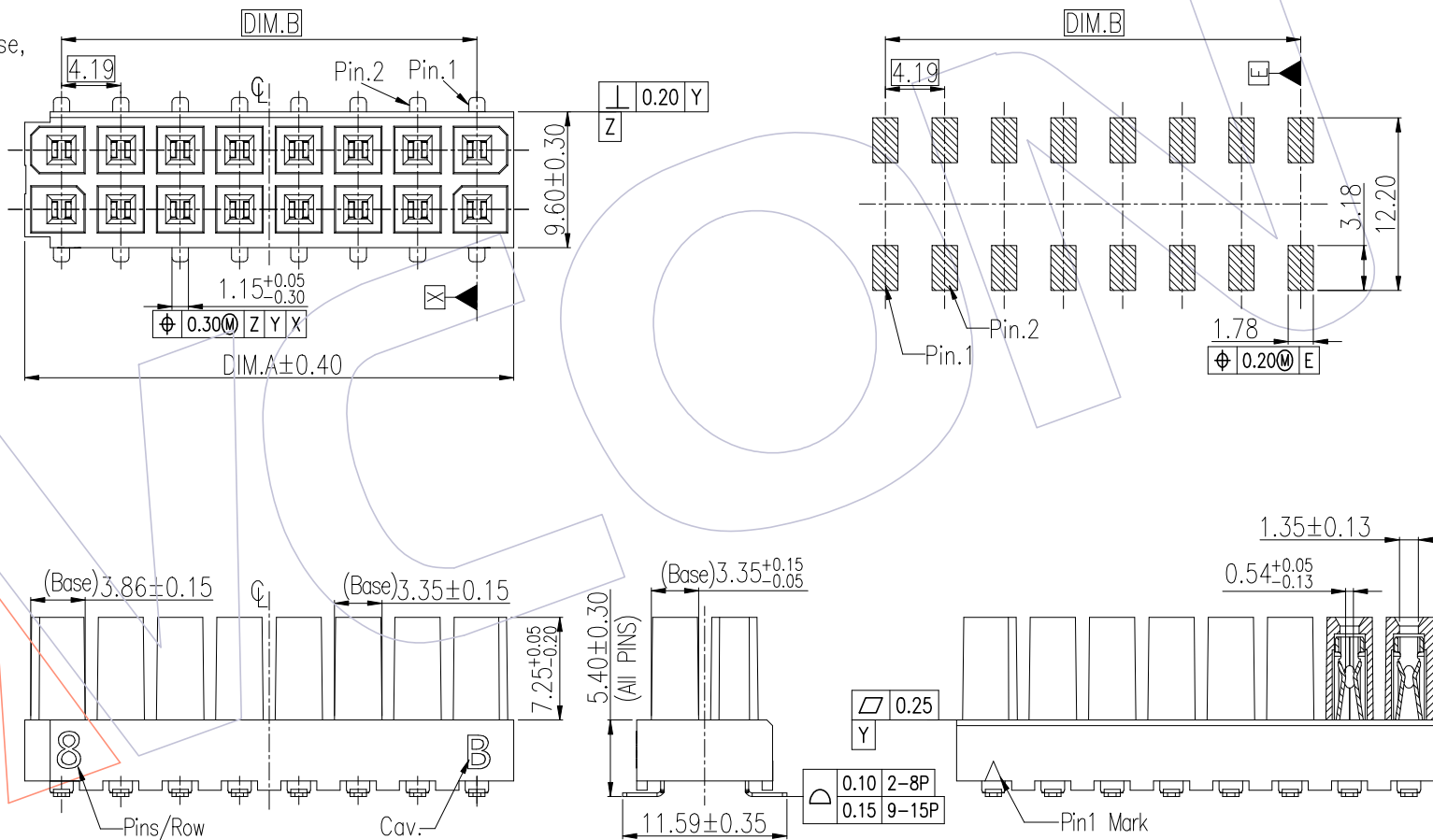
# HSF

### NOTES:

Current Rating:4.11A/Pin(MAX,AT 30℃ Rise, 20% Derated)  
 Voltage Rating:400V/AC  
 Contact Resistance:20mΩ Max.  
 Withstand Voltage:1500V AC  
 Insulation Resistance:1000MΩ Min.  
 Operation Temperature:-40℃~+105℃  
 Insulator Material:LCP,G.F,UL94V-0,Black  
 Contact Material:Copper Alloy  
 Contact plating: See Ordering Information

Recommended Process:  
 IR Stove,Peak temperature:260±5℃

Recommended P.C.B Layout(Top Side)  
 (PCB BOARD TOLERANCE±0.05)  
 PCB BOARD THICKNESS:1.6~2.0



				OPERATION	DRAW	DATE	SCALE	Fit	PART NO.
				x.x ±0.40	Andrey	2020/12/09	UNIT	mm	WF4191-2FMXXXXBX1
				x.xx ±0.25	CHECK	DATE	SIZE	A4	TITLE:
				x.xxx ±0.15	APPROVE	DATE	SHEET	1/4	4.19mm Socket,Double Row, S/T SMT, H=12.65mm
AO	2020/12/09	NEW RELEASE	Andrey	Angle ± 3'			PROJ.	Customer NO.	
REV	DATE	MODIFICATION DESCRIPTION	CHANGE	DIM TOL					

**WCON**  
 Http: www.wcon.com

WCON-Dongguan Tel: +86 769 85358920 Fax: +86 769 85358915 E-mail: sales@wcon.com	WCON-Kunshan Tel: +86 512 57468408 Fax: +86 512 57468468 E-mail: salesks@wcon.com
---	--

**HSF**

# Ordering Information

**WF 4191 - 2 FM XX SM B T 1**

Company Code: \_\_\_\_\_  
 Series Code: \_\_\_\_\_  
 419= 4.19mm Pitch  
 1= First series  
 Row Code: \_\_\_\_\_  
 1=Single Row  
 2=Double Row  
 Type Code: \_\_\_\_\_  
 FM=180° SMT

Wcon Internal Code: \_\_\_\_\_  
 1~9  
 Packing: \_\_\_\_\_  
 T=TUBE  
 Color: \_\_\_\_\_  
 B=Black  
 Contact Plating: \_\_\_\_\_  
 SM: 100u" Matte Tin  
 Over 50u" Nickel  
 Blank: 100u" Tin Over 50u" Nickel  
 No. of Pins: \_\_\_\_\_  
 2\*2P~2\*15P

ALLOWED ANGULAR INCLINATION  
 TOLERANCES LONGITUDINAL:  $\pm 4^\circ$

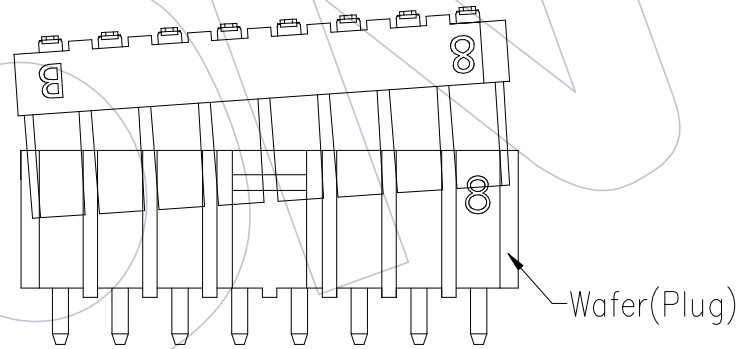
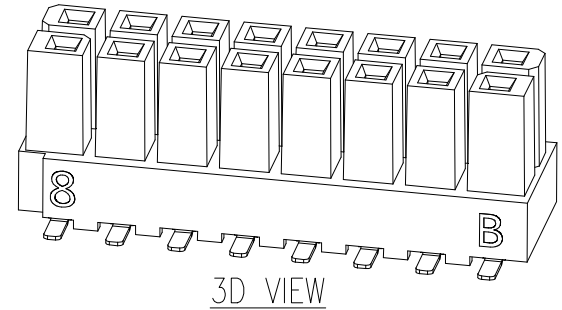


Table.1:

Pin No.	Part No.	DIM.A	DIM.B
2*2P	WF4191-2FM02XXBX1	9.40	4.19
2*3P	WF4191-2FM03XXBX1	13.59	8.38
2*4P	WF4191-2FM04XXBX1	17.78	12.57
2*5P	WF4191-2FM05XXBX1	21.97	16.76
2*8P	WF4191-2FM08XXBX1	34.54	29.33
2*10P	WF4191-2FM10XXBX1	42.92	37.71
2*15P	WF4191-2FM15XXBX1	63.87	58.66

Table.2:

Mating With	DIM.M
WF4191B(C)-2WSXXXXBX1	19.58
WF4191B(C)-2WSXXXXBX2	20.58
WF4191B(C)-2WSXXXXBX3	25.58



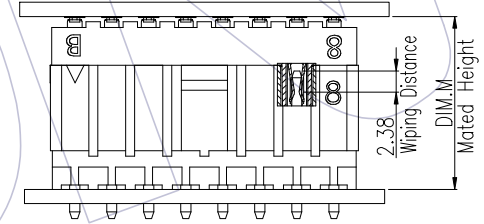
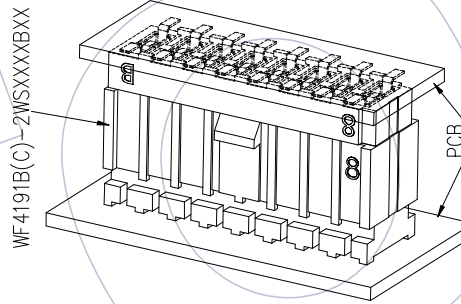
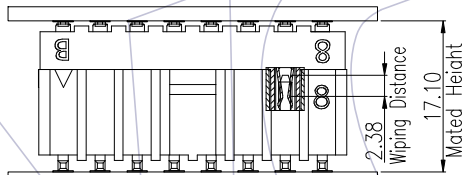
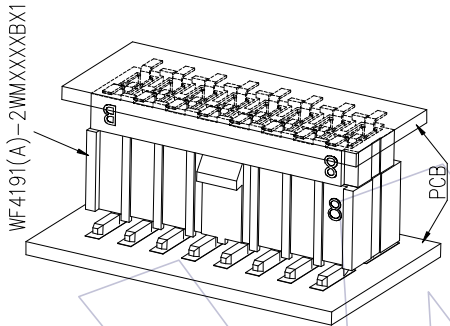
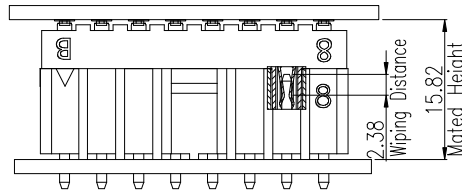
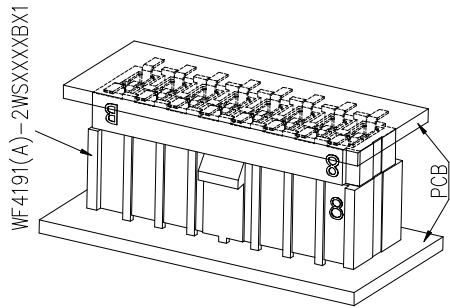
OPERATION		DRAW		DATE		SCALE		Fit		PART NO.	
x.x	$\pm 0.40$	Andrey		2020/12/09		UNIT		mm		WF4191-2FMXXXXBX1	
x.xx	$\pm 0.25$	CHECK		DATE		SIZE		A4		TITLE:	
x.xxx	$\pm 0.15$	APPROVE		DATE		SHEET		2/4		4.19mm Socket, Double Row, S/T SMT, H=12.65mm	
AO	2020/12/09	NEW RELEASE		Andrey		PROJ.		$\varnothing$		Customer NO.	
REV	DATE	MODIFICATION DESCRIPTION		CHANGE		DIM		TOL			

**WCON**  
 Http: www.wcon.com

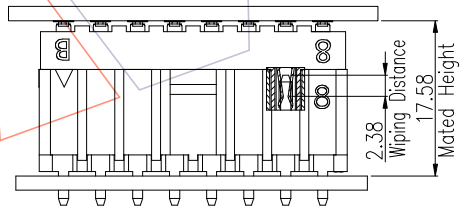
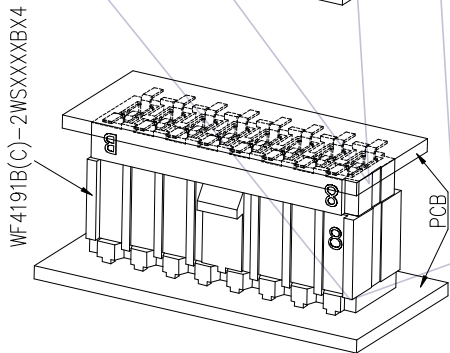
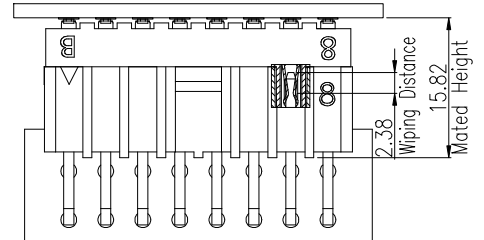
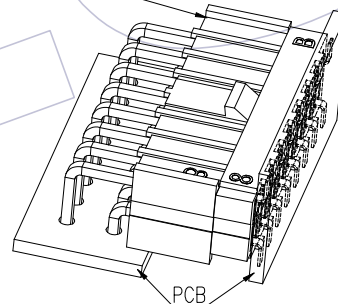
WCON-Dongguan  
 Tel: +86 769 85358920  
 Fax: +86 769 85358915  
 E-mail: sales@wcon.com

WCON-Kunshan  
 Tel: +86 512 57468408  
 Fax: +86 512 57468468  
 E-mail: salesks@wcon.com

# HSF



WF4191(A)-2WRXXXXB1



OPERATION	DRAW	DATE	SCALE	Fit	PART NO.
x.X ±0.40	Andrey	2020/12/09	UNIT	mm	WF4191-2FMXXXXB1
x.XX ±0.25	CHECK	DATE	SIZE	A4	TITLE:
x.XXX ±0.15	APPROVE	DATE	SHEET	3/4	4.19mm Socket, Double Row, S/T SMT, H=12.65mm
Angle ± 3'			PROJ.		Customer NO.
DIM TOL					

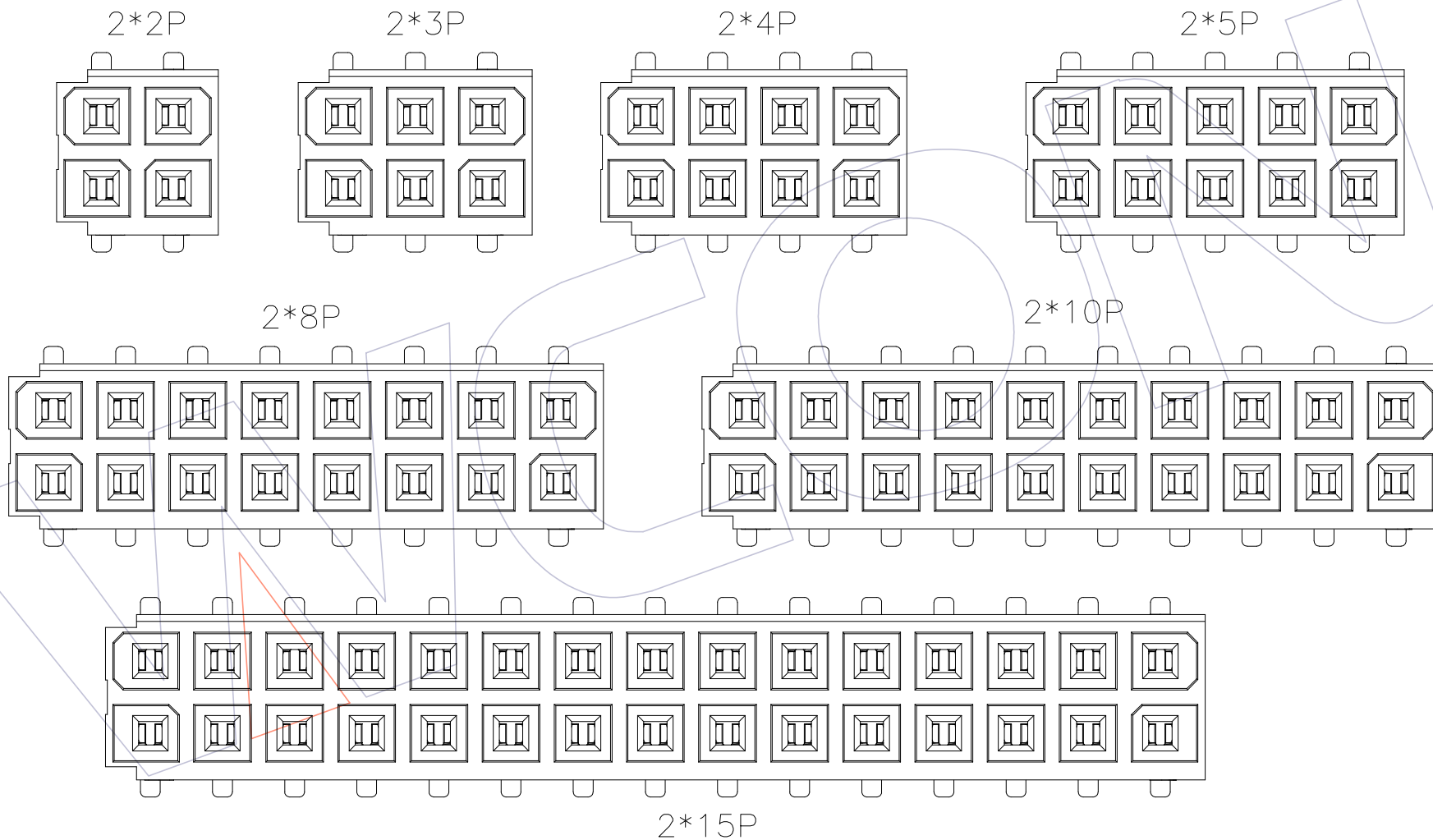
AO	2020/12/09	NEW RELEASE	Andrey
REV	DATE	MODIFICATION DESCRIPTION	CHANGE

## WCON

Http: www.wcon.com

WCON-Dongguan Tel: +86 769 85358920 Fax: +86 769 85358915 E-mail: sales@wcon.com	WCON-Kunshan Tel: +86 512 57468408 Fax: +86 512 57468468 E-mail: salesks@wcon.com
---	--

HSF



				OPERATION	DRAW	DATE	SCALE	Fit	PART NO.
				x.X ±0.40	Andrey	2020/12/09	UNIT	mm	WF4191-2FMXXXXBX1
				x.XX ±0.25	CHECK	DATE	SIZE	A4	TITLE:
				x.XXX ±0.15	APPROVE	DATE	SHEET	4/4	4.19mm Socket, Double Row, S/T SMT, H=12.65mm
AO	2020/12/09	NEW RELEASE	Andrey	Angle ± 3'			PROJ.	⌀	Customer NO.
REV	DATE	MODIFICATION DESCRIPTION	CHANGE	DIM TOL					

**WCON**  
 Http: www.wcon.com

WCON-Dongguan Tel: +86 769 85358920 Fax: +86 769 85358915 E-mail: sales@wcon.com	WCON-Kunshan Tel: +86 512 57468408 Fax: +86 512 57468468 E-mail: salesks@wcon.com
---	--