

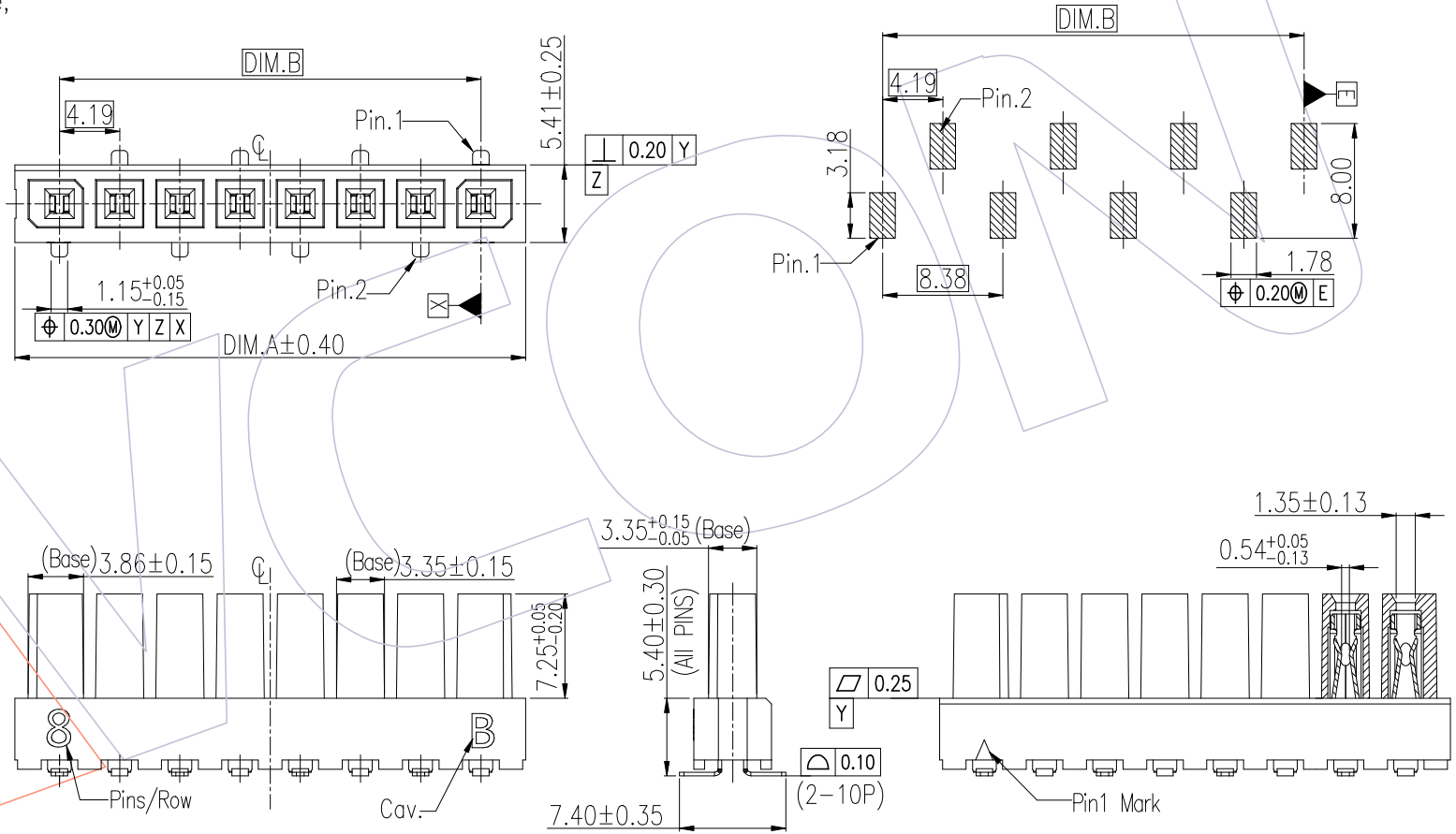
# HSF

NOTES:

Current Rating:4.11A/Pin(MAX,AT 30℃ Rise, 20% Derated)  
 Voltage Rating:400V/AC  
 Contact Resistance:20mΩ Max.  
 Withstand Voltage:1500V AC  
 Insulation Resistance:1000MΩ Min.  
 Operation Temperature:-40℃ to +105℃  
 Insulator Material:LCP,G.F,UL94V-0,Black  
 Contact Material:Copper Alloy  
 Contact plating: See Ordering Information

Recommended Process:  
 IR Stove,Peak temperature: 260±5℃

Recommended P.C.B Layout(Top Side)  
 (PCB BOARD TOLERANCE±0.05)  
 PCB BOARD THICKNESS:1.6~2.0



				OPERATION	DRAW	DATE	SCALE	Fit	PART NO.
				x.x ±0.40	Andrey	2020/12/09	UNIT	mm	WF4191-1FMXXXXBX1
				x.xx ±0.25	CHECK	DATE	SIZE	A4	TITLE:
				x.xxx ±0.15	APPROVE	DATE	SHEET	1/4	4.19mm Socket, Single Row, S/T SMT, H=12.65mm
AO	2020/12/09	NEW RELEASE	Andrey	Angle ± 3'			PROJ.	Customer NO.	
REV	DATE	MODIFICATION DESCRIPTION	CHANGE	DIM TOL					

**WCON**  
 Http: www.wcon.com

WCON-Dongguan  
 Tel: +86 769 85358920  
 Fax: +86 769 85358915  
 E-mail: sales@wcon.com

WCON-Kunshan  
 Tel: +86 512 57468408  
 Fax: +86 512 57468468  
 E-mail: salesks@wcon.com

**HSF**

# Ordering Information

**WF 4191 - 1 FM XX SM B T 1**

Company Code

Series Code:

419= 4.19mm Pitch

1= First series

Row Code:

1=Single Row

2=Double Row

Type Code:

FM=180° SMT

Wcon Internal Code:

1~9

Packing:

T=TUBE

Color:

B=Black

Contact Plating:

SM: 100u" Matte Tin

Over 50u" Nickel

Blank:100u" Tin Over 50u" Nickel

No. of Pins:

2P~10P

ALLOWED ANGULAR INCLINATION  
TOLERANCES LONGITUDINAL:  $\pm 4^\circ$

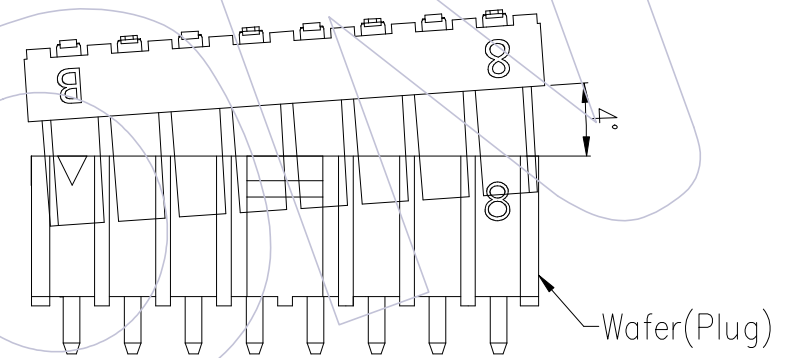
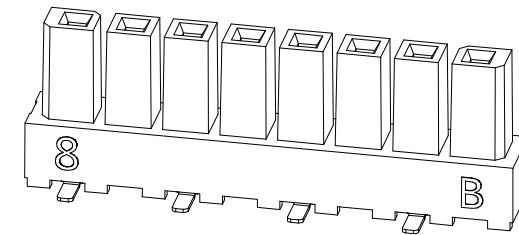



Table.1:

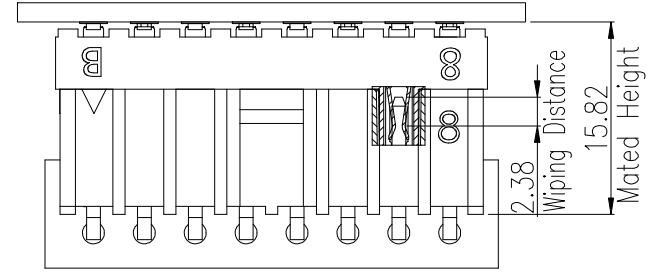
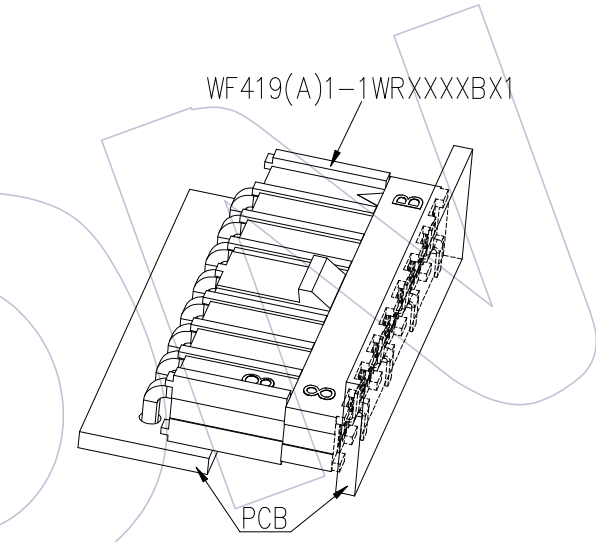
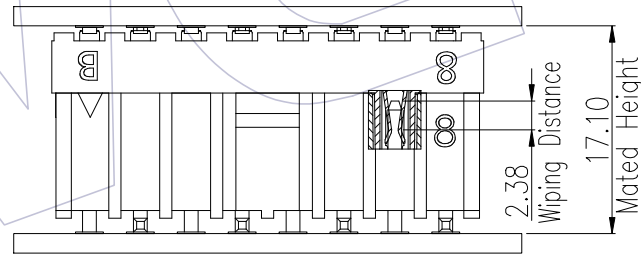
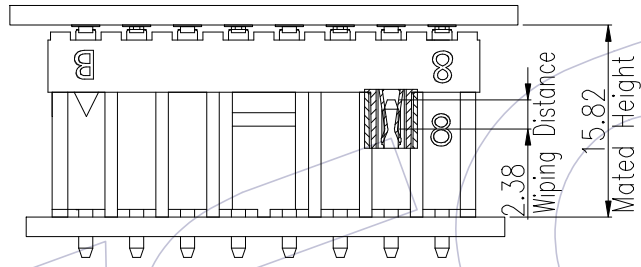
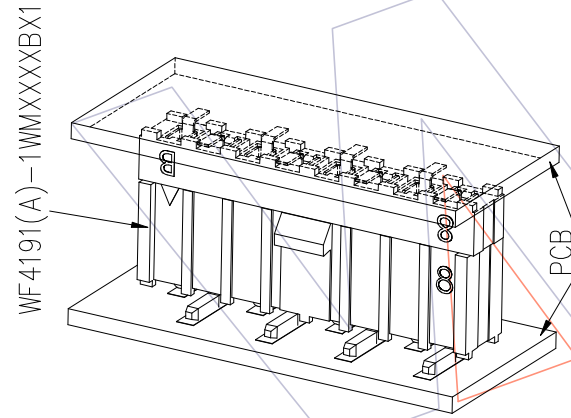
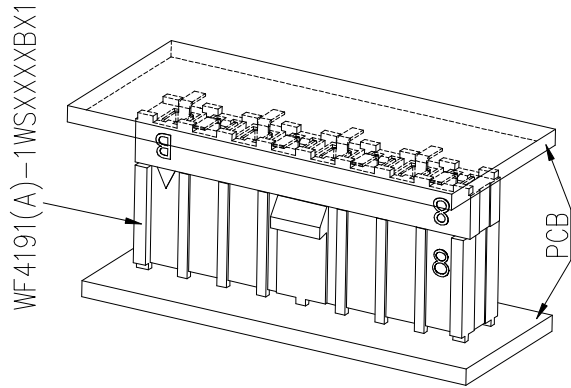
Pin No.	Part No.	DIM.A	DIM.B
2P	WF4191-1FM02XXBX1	10.41	4.19
3P	WF4191-1FM03XXBX1	14.60	8.38
4P	WF4191-1FM04XXBX1	18.79	12.57
5P	WF4191-1FM05XXBX1	22.98	16.76
8P	WF4191-1FM08XXBX1	35.55	29.33
10P	WF4191-1FM10XXBX1	43.93	37.71



3D VIEW

		OPERATION		DRAW		DATE		SCALE		Fit		PART NO.		 Http: www.wcon.com WCON-Dongguan Tel: +86 769 85358920 WCON-Kunshan Tel: +86 512 57468408 Fax: +86 769 85358915 Fax: +86 512 57468468 E-mail: sales@wcon.com E-mail: salesks@wcon.com	
		x.x ±0.40		Andrey		2020/12/09		UNIT		mm		TITLE:			
		x.xx ±0.25		CHECK		DATE		SIZE		A4		4.19mm Socket, Single Row, S/T SMT, H=12.65mm			
AO		2020/12/09		NEW RELEASE		Andrey		SHEET		2/4		Customer NO.			
REV		DATE		MODIFICATION DESCRIPTION		CHANGE		Angle ± 3'		APPROVE		DATE			
						DIM		TOL		PROJ.					

HSF



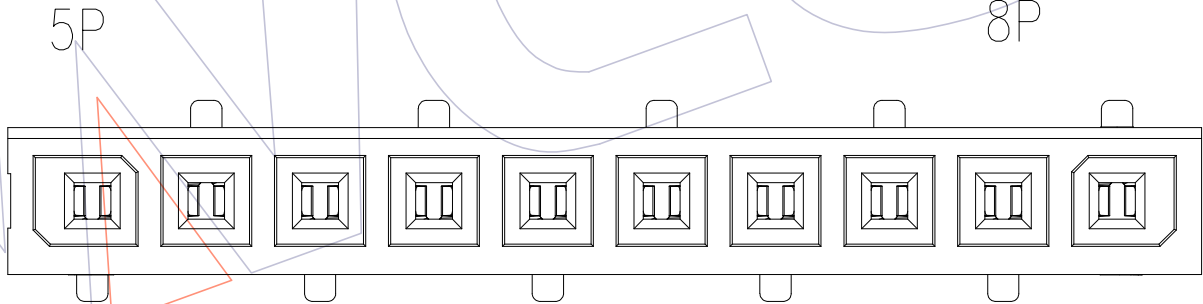
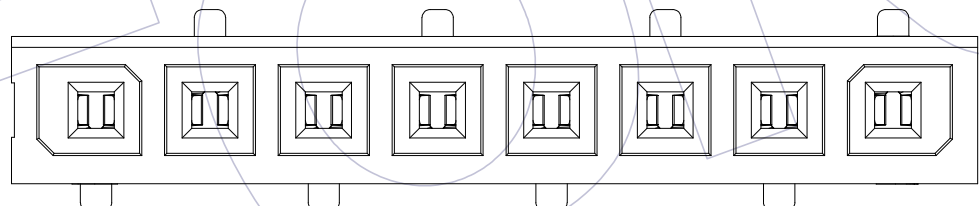
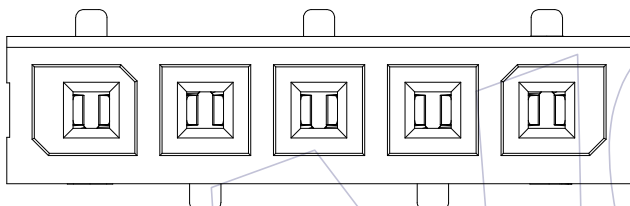
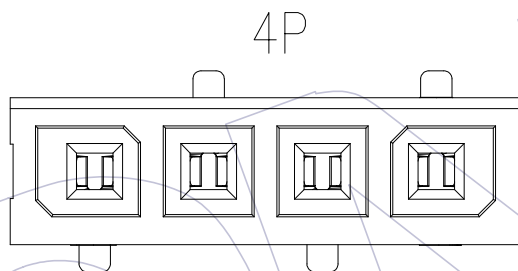
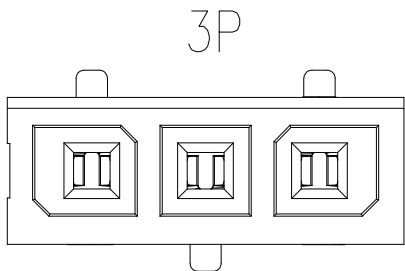
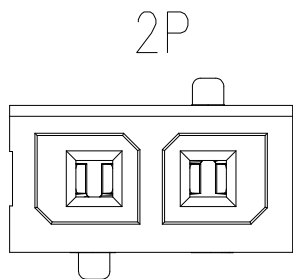
				OPERATION	DRAW	DATE	SCALE	Fit	PART NO.
				x.X ±0.40	Andrey	2020/12/09	UNIT	mm	WF4191-1FMXXXXBX1
				x.XX ±0.25	CHECK	DATE	SIZE	A4	TITLE:
				x.XXX ±0.15	APPROVE	DATE	SHEET	3/4	4.19mm Socket, Single Row, S/T SMT, H=12.65mm
AO	2020/12/09	NEW RELEASE	Andrey	Angle ± 3'			PROJ.	⌀	Customer NO.
REV	DATE	MODIFICATION DESCRIPTION	CHANGE	DIM TOL					

**WCON**  
 Http: www.wcon.com

WCON-Dongguan  
 Tel: +86 769 85358920  
 Fax: +86 769 85358915  
 E-mail: sales@wcon.com

WCON-Kunshan  
 Tel: +86 512 57468408  
 Fax: +86 512 57468468  
 E-mail: salesks@wcon.com

HSF



				OPERATION		DRAW	DATE	SCALE	Fit	PART NO.
				x.X	±0.40	Andrey	2020/12/09	UNIT	mm	WF4191-1FMXXXBX1
				x.XX	±0.25	CHECK	DATE	SIZE	A4	TITLE:
AO	2020/12/09	NEW RELEASE	Andrey	x.XXX	±0.15	APPROVE	DATE	SHEET	4/4	4.19mm Socket, Single Row, S/T SMT, H=12.65mm
REV	DATE	MODIFICATION DESCRIPTION	CHANGE	Angle	± 3'			PROJ.	Customer NO.	
				DIM	TOL					

**WCON**  
 Http: www.wcon.com

WCON-Dongguan Tel: +86 769 85358920 Fax: +86 769 85358915 E-mail: sales@wcon.com	WCON-Kunshan Tel: +86 512 57468408 Fax: +86 512 57468468 E-mail: salesks@wcon.com
---	--