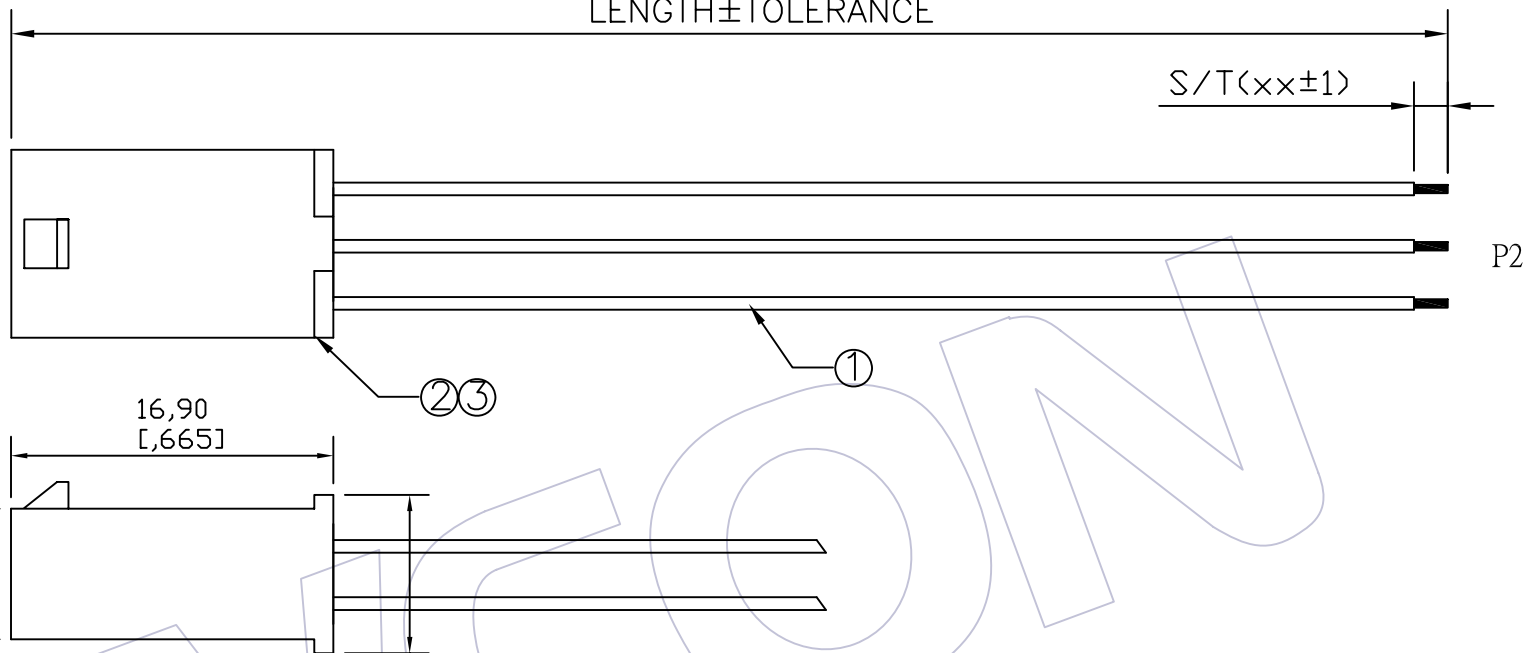
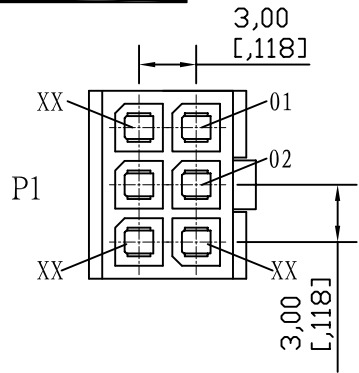


HSF



SPECIFICATIONS

Insulation Resistance: 5MΩ Min
 Contact Resistance: 3.0Ω Max
 Withstand Voltage: DC 300V, 10S
 The Cable Assembly Must 100% Test

CONNECT METHOD

	P1	Color	P2
01	XXX		OPEN
02	XXX		OPEN
03	XXX		OPEN
XX	XXX		OPEN

Wire SPEC	LENGTH	TOLERANCE
ULxxxx 20~24AWG	1~499	±5
	500~999	±10
	1000~1500	±15
	1501~3000	±20
	3001~5000	±30
	5001~	± Lx1%

Ordering Information

C9190 - xx 01 xxx 151

No. of Pins: 02~12P
 Shape Style: 01=one end Process, another one end plate tin
 Length of Line: xxx

NO.	PART NO.	NAME	Specification	Q' TY	UNIT
③	WF3001-Txxx0x	Terminal	3.00mm Phosphor Bronze/Brass Tin Terminal	xx	PCS
②	WF3001-2HxxB03	Housing	Dual Row PH3.00mm xxP Black Housing	1	PCS
①	Wxxxx-1xxx00001	WIRE	UL:xxxx,AWG:20~24,Color:xx,Wire	xxxx	MM

工程图 ENGINEERING	绘图 DRAW	BEN	09/10/20	SCALE	FREE	维峰五金电子有限公司 WAFE HARDWARE ELECTRONICS CO. LTD
X.X	±0.30			UNIT	mm	
X.XX	±0.20			SIZE	A4	
X.XXX	±0.10			SHEET	1/1	
Angle	± 2'			PROJ.	客户料号 Customer NO.	
DIM	TOL	核准 APPROVE				料号 PART NO. C9190-xx01xxx151
						品名 TITLE: PH3.00 **P Housing TO OPEN

版次 REV	日期 DATE	变更说明 MODIFICATION DESCRIPTION	变更 CHANGE	核准 APPROVE
AO	09/10/20	NEW		