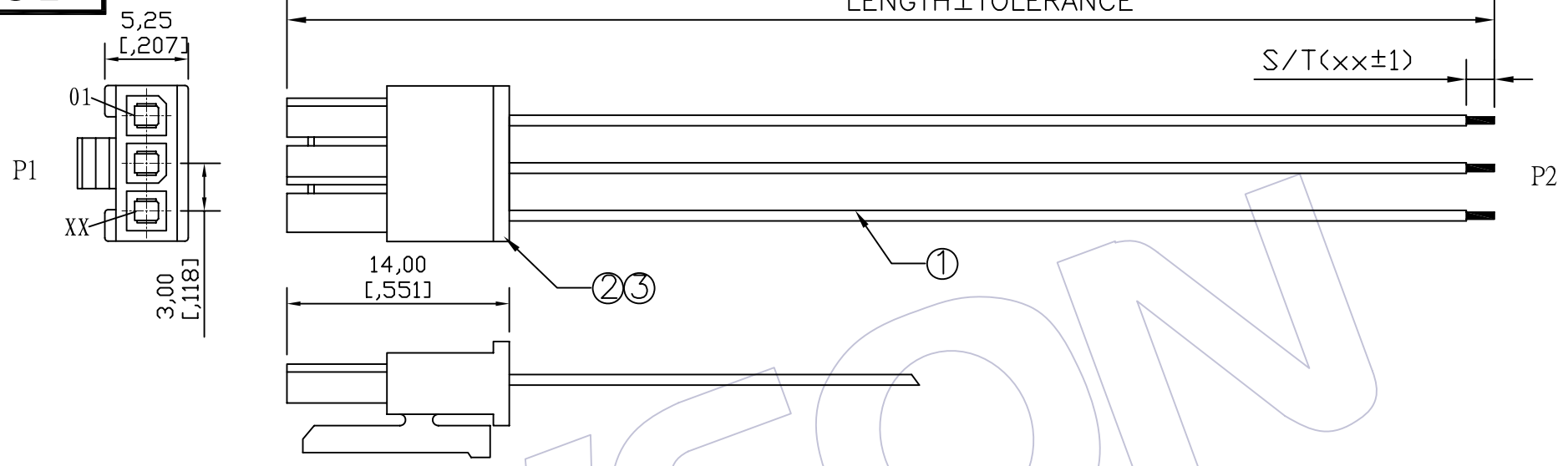


# HSF



**SPECIFICATIONS**  
 Insulation Resistance: 5MΩ Min  
 Contact Resistance: 3.0Ω Max  
 Withstand Voltage: DC 300V, 10S  
 The Cable Assembly Must 100% Test

**CONNECT METHOD**

P1	Color	P2
01	XXX	OPEN
02	XXX	OPEN
03	XXX	OPEN
XX	XXX	OPEN

Wire SPEC	LENGTH	TOLERANCE
ULxxxx 20~24AWG	1~499	±5
	500~999	±10
	1000~1500	±15
	1501~3000	±20
	3001~5000	±30
	5001~	± Lx1%

## Ordering Information

C9190 - xx 01 xxx 101

No.of Pins: 02~12P      Shape Style: 01=one end Process, another one end plate tin      Length of Line

NO.	PART NO.	NAME	Specification	Q'TY	UNIT
③	WF3001-Txxx0x	Terminal	3.00mm Phosphor Bronze/Brass Tin Terminal	xx	PCS
②	WF3001-1HxxB01	Housing	Single Row PH3.00mm xxP Black Housing	1	PCS
①	Wxxxx-1xxx00001	WIRE	UL:xxxx,AWG:20~24,Color:xx,Wire	xxxx	MM

REV	DATE	MODIFICATION DESCRIPTION	CHANGE	APPROVE	SCALE	FREE	UNIT	SIZE	SHEET	PROJ.	CUSTOMER NO.
AO	09/10/20	NEW					mm	A4	1/1		

**WCON** 维峰五金电子有限公司  
 WAFE HARDWARE ELECTRONICS CO. LTD

料号 PART NO. C9190-xx01xxx101  
 品名 TITLE: PH3.00 \*\*P Housing TO OPEN