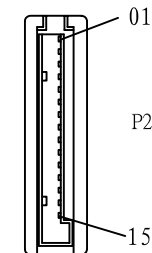
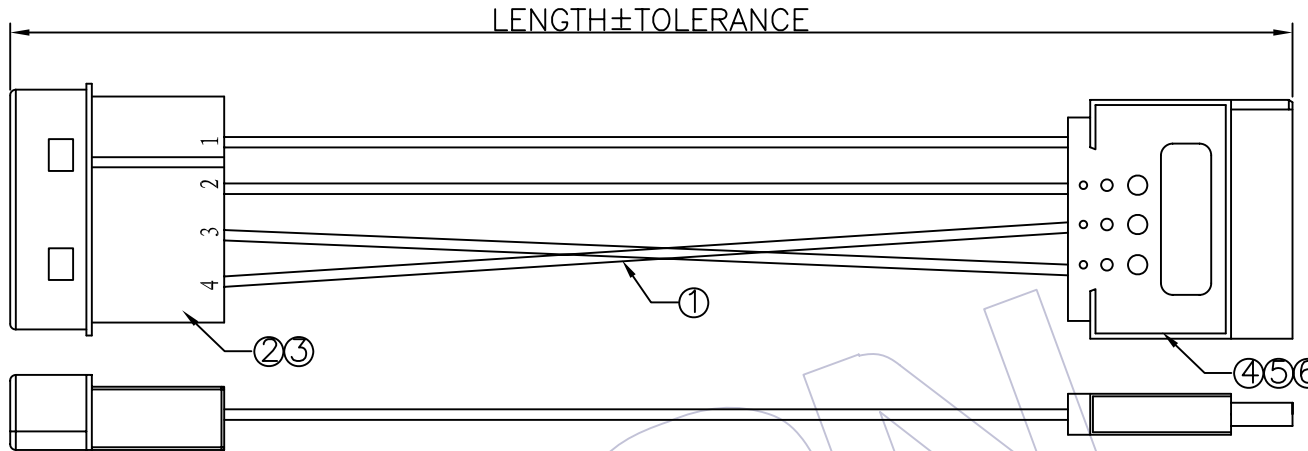
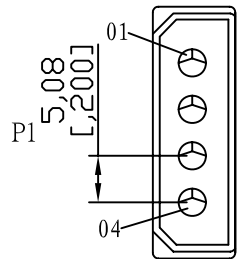


HSF



Wire SPEC	LENGTH	TOLERANCE
ULxxxx 16~20AWG	1~499	±5
	500~999	±10
	1000~1500	±15
	1501~3000	±20
	3001~5000	±30
	5001~	± Lx1%

CONNECT METHOD		
P1	Color	P2
01	XXX	1+2+3
02	XXX	4+5+6
03	XXX	10+11+12
04	XXX	7+8+9

SPECIFICATIONS
 Insulation Resistance: 5MΩ Min
 Contact Resistance: 3.0Ω Max
 Withstand Voltage: DC 300V, 10S
 The Cable Assembly Must 100% Test

Ordering Information
C9170 - xx 02 xxx 201
 No. of Pins: 4P Shape Style: 02=Both ends Process Length of Line

⑥	GPVC-B70XA01	PVC	PVC 45P BLACK	0.009	KG
⑤	GPE-W00XA01	PE	PE WHITE	0.004	KG
④	5420-15S2S0A01	SATA	SATA 15P FEMALE 180° BLACK G/F	1	PCS
③	WF5086-TBSN01	Terminal	5.08mm Male Brass Tin Terminal	4	PCS
②	WF5086-H04W01	Housing	Big 4P FEMALE PH5.08mm White Housing	1	PCS
①	Wxxxx-1xxx00001	WIRE	UL:xxxx,AWG:16~20,Color:xx,Wire	xxxx	MM
NO.	PART NO.	NAME	Specification	Q'TY	UNIT

					工程图 ENGINEERING	绘图 DRAW	BEN	09/10/26	SCALE	FREE	WCON 维峰五金电子有限公司 WAFE HARDWARE ELECTRONICS CO. LTD 料号 PART NO. C9170-xx02xxx201 品名 TITLE: PH5.08 4P Female Housing TO SATA 15P Female 客户料号 Customer NO.
					X.X	±0.30			UNIT	mm	
					X.XX	±0.20			SIZE	A4	
					X.XXX	±0.10			SHEET	1/1	
AO	09/10/26	NEW			Angle	± 2'			PROJ.		
版次 REV	日期 DATE	变更说明 MODIFICATION DESCRIPTION	变更 CHANGE	核准 APPROVE	DIM	TOL	核准 APPROVE				