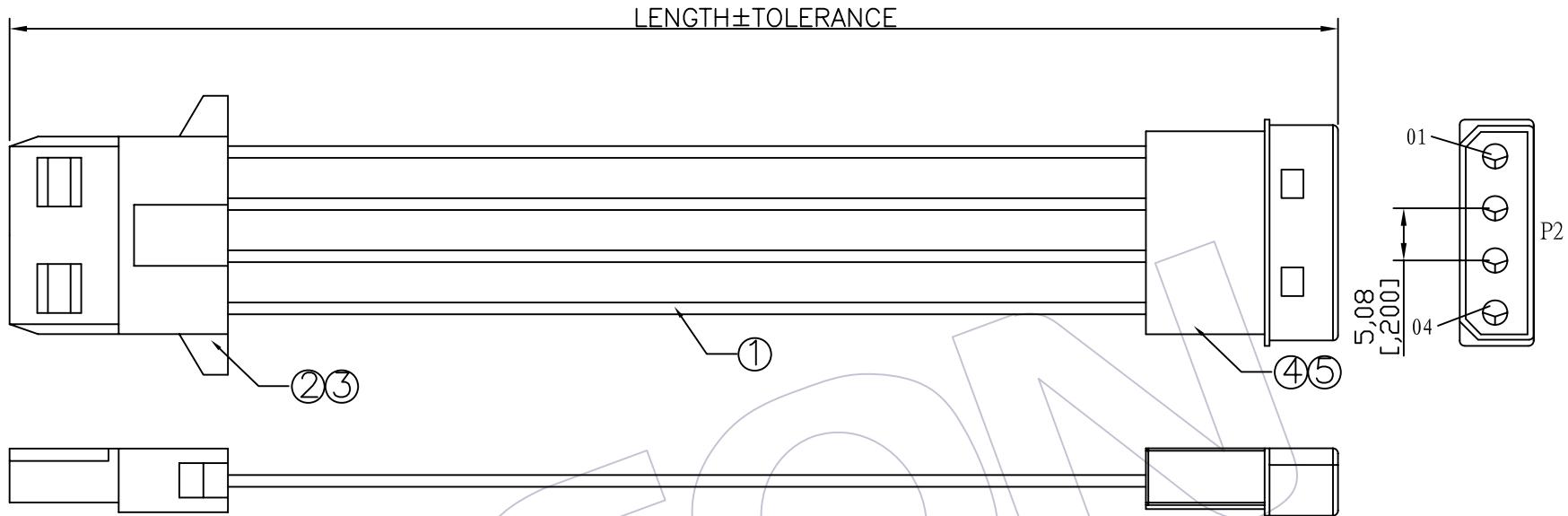


HSF



SPECIFICATIONS

Insulation Resistance: 5MΩ Min
 Contact Resistance: 3.0Ω Max
 Withstand Voltage: DC 300V, 10S
 The Cable Assembly Must 100% Test

CONNECT METHOD

P1	Color	P2
01	XXX	01
02	XXX	02
03	XXX	03
04	XXX	04

Wire SPEC	LENGTH	TOLERANCE
ULxxxx 16~20AWG	1~499	±5
	500~999	±10
	1000~1500	±15
	1501~3000	±20
	3001~5000	±30
	5001~	± Lx1%

Ordering Information

C9170 - xx 02 xxx 101

No.of Pins:
4P

Shape Style:
02=Both ends Process

Length of Line

NO.	PART NO.	NAME	Specification	Q'TY	UNIT
⑤	WF5086-TBSN01	Terminal	5.08mm male Brass Tin Terminal	4	PCS
④	WF5086-H04W01	Housing	Big 4P FEMALE PH5.08mm White Housing	1	PCS
③	WF5085-TBSN01	Terminal	5.08mm Female Brass Tin Terminal	4	PCS
②	WF5085-H04W01	Housing	Big 4P MALE PH5.08mm White Housing	1	PCS
①	Wxxxx-1xxx00001	WIRE	UL:xxxx,AWG:16~20,Color:xx,Wire	xxxx	MM

NO.	PART NO.	NAME	Specification	Q'TY	UNIT
⑤	WF5086-TBSN01	Terminal	5.08mm male Brass Tin Terminal	4	PCS
④	WF5086-H04W01	Housing	Big 4P FEMALE PH5.08mm White Housing	1	PCS
③	WF5085-TBSN01	Terminal	5.08mm Female Brass Tin Terminal	4	PCS
②	WF5085-H04W01	Housing	Big 4P MALE PH5.08mm White Housing	1	PCS
①	Wxxxx-1xxx00001	WIRE	UL:xxxx,AWG:16~20,Color:xx,Wire	xxxx	MM

版次 REV	日期 DATE	变更说明 MODIFICATION DESCRIPTION	变更 CHANGE	核准 APPROVE	工程图 ENGINEERING	绘图 DRAW	BEN	09/10/26	SCALE	FREE	UNIT	mm	料号 PART NO.	C9170-xx02xxx101
AO	09/10/26	NEW			X.X	±0.30	设计 DESIGN							
					X.XX	±0.20	审核 CHECK							
					X.XXX	±0.10	核准 APPROVE							
					Angle	± 2'								
					DIM	TOL								

WCON 维峰五金电子有限公司
 WAFE HARDWARE ELECTRONICS CO. LTD

料号 PART NO. C9170-xx02xxx101
 品名 TITLE: PH5.08 4P Male Housing TO PH5.08 4P FEMALE Housing
 客户料号 Customer NO.