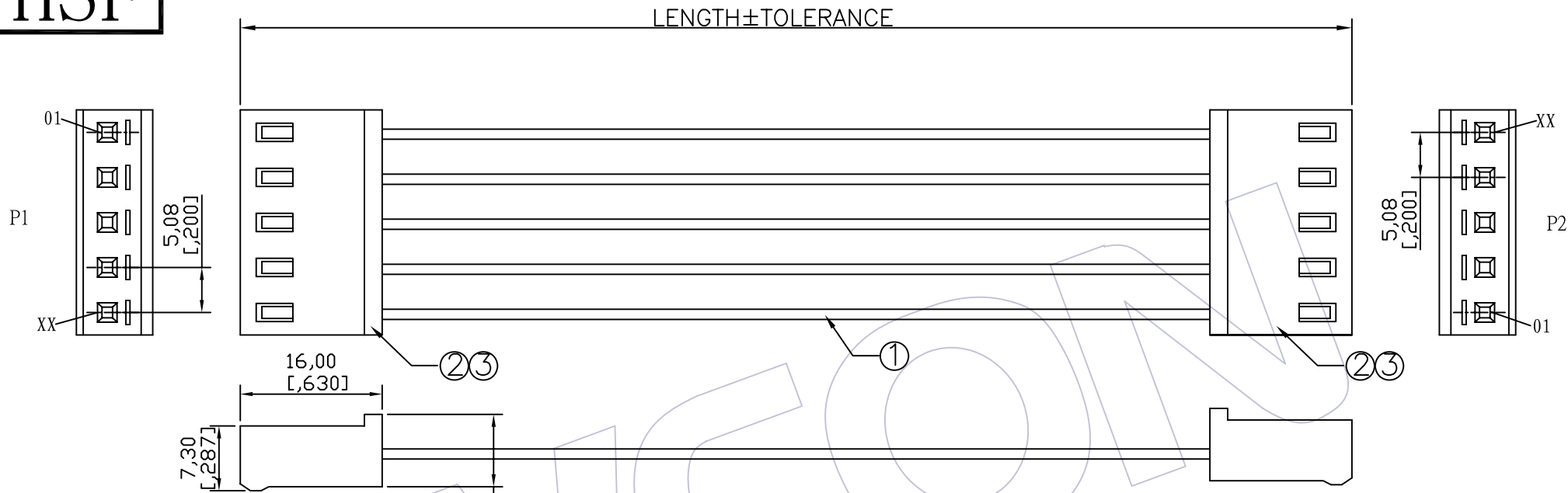


HSF



SPECIFICATIONS

Insulation Resistance: 5MΩ Min
 Contact Resistance: 3.0Ω Max
 Withstand Voltage: DC 300V, 10S
 The Cable Assembly Must 100% Test

Ordering Information

C9170 - xx 02 xxx 001

No. of Pins: 02~15P Shape Style: 02=Both ends Process Length of Line

CONNECT METHOD

P1	Color	P2
01	XXX	XX
02	XXX	XX
03	XXX	XX
	⋮	
XX	XXX	01

Wire SPEC	LENGTH	TOLERANCE
ULxxxx 18~24AWG	1~499	±5
	500~999	±10
	1000~1500	±15
	1501~3000	±20
	3001~5000	±30
	5001~	± Lx1%

NO.	PART NO.	NAME	Specification	Q' TY	UNIT
③	WF5081-TBSN01	Terminal	5.08mm Brass Tin Terminal	Double xx	PCS
②	WF5081-HxxW01	Housing	Single Row PH5.08mm xxP White Housing	2	PCS
①	Wxxxx-1xxx00001	WIRE	UL:xxxx,AWG:18~24,Color:xx,Wire	xxxx	MM

A0		09/10/26	NEW			工程图 ENGINEERING	绘图 DRAW	BEN	09/10/26	SCALE	FREE	WCON 维峰五金电子有限公司 WAFE HARDWARE ELECTRONICS CO. LTD			
版次 REV	日期 DATE	变更说明 MODIFICATION DESCRIPTION		变更 CHANGE	核准 APPROVE	X.X ±0.30	X.XX ±0.20	X.XXX ±0.10	Angle ± 2'	DIM TOL	核准 APPROVE				
SHEET 1/1												品名 TITLE:	PH5.08 **P HSG TO PH5.08 **P HSG		
PROJ.												客户料号 Customer NO.			