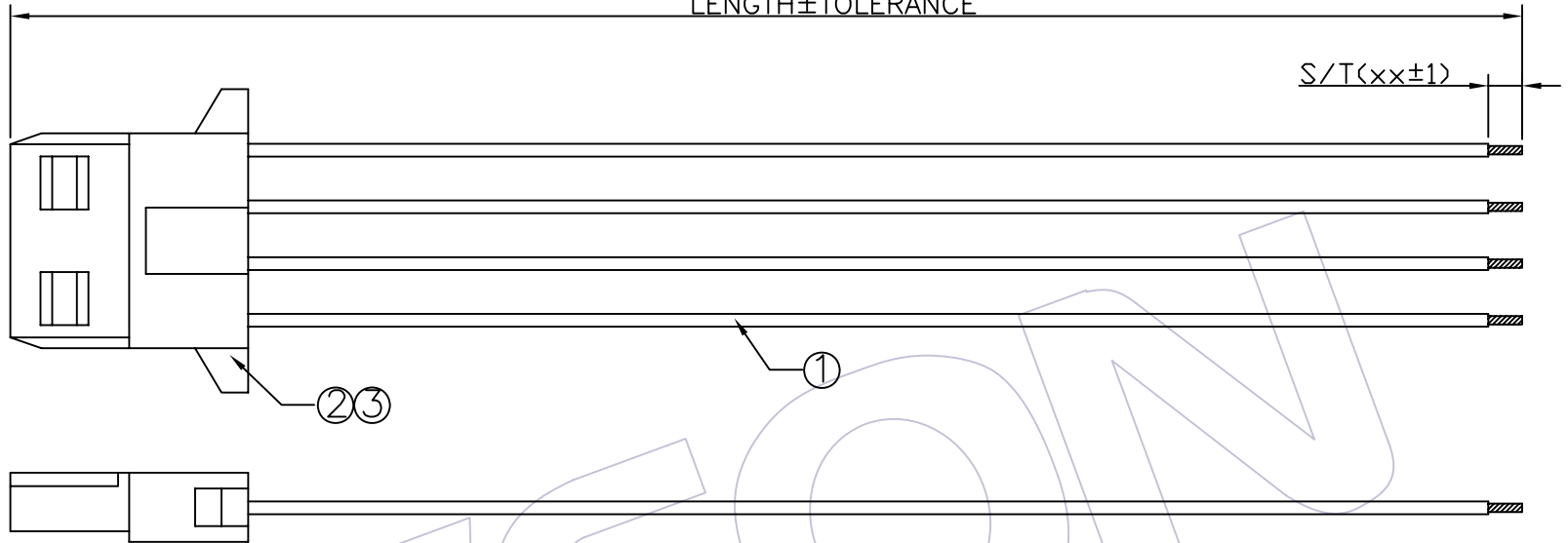
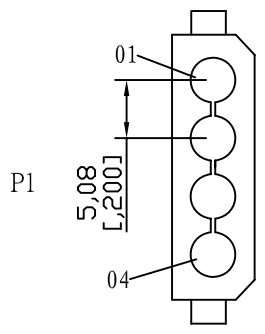


# HSF

LENGTH±TOLERANCE

S/T(±1)



**SPECIFICATIONS**

Insulation Resistance: 5MΩ Min  
 Contact Resistance: 3.0Ω Max  
 Withstand Voltage: DC 300V, 10S  
 The Cable Assembly Must 100% Test

**CONNECT METHOD**

P1	Color	P2
01	XXX	OPEN
02	XXX	OPEN
03	XXX	OPEN
04	XXX	OPEN

Wire SPEC	LENGTH	TOLERANCE
ULxxxx 16~20AWG	1~499	±5
	500~999	±10
	1000~1500	±15
	1501~3000	±20
	3001~5000	±30
5001~	± Lx1%	

**Ordering Information**

C9170 - xx 01 xxx 101

No. of Pins: 4P  
 Shape Style: 01=one end Process, another one end plate tin  
 Length of Line: xxx

③	WF5085-TBSN01	Terminal	5.08mm Female Brass Tin Terminal	4	PCS
②	WF5085-H04W01	Housing	Big 4P MALE PH5.08mm White Housing	1	PCS
①	Wxxxx-1xxx00001	WIRE	UL:xxxx,AWG:16~20,Color:xx,Wire	xxxx	MM
NO.	PART NO.	NAME	Specification	Q' TY	UNIT

					工程图 ENGINEERING	绘图 DRAW	BEN	09/10/26	SCALE	FREE	<b>WCON</b> 维峰五金电子有限公司 WAFE HARDWARE ELECTRONICS CO. LTD 料号 PART NO. C9170-xx01xxx101 品名 TITLE: PH5.08 4P Male Housing TO OPEN 客户料号 Customer NO.
					X.X	±0.30	设计 DESIGN		UNIT	mm	
					X.XX	±0.20	审核 CHECK		SIZE	A4	
					X.XXX	±0.10	核准 APPROVE		SHEET	1/1	
AO	09/10/26	NEW			Angle	± 2'			PROJ.	客户料号 Customer NO.	
版次 REV	日期 DATE	变更说明 MODIFICATION DESCRIPTION	变更 CHANGE	核准 APPROVE	DIM	TOL					