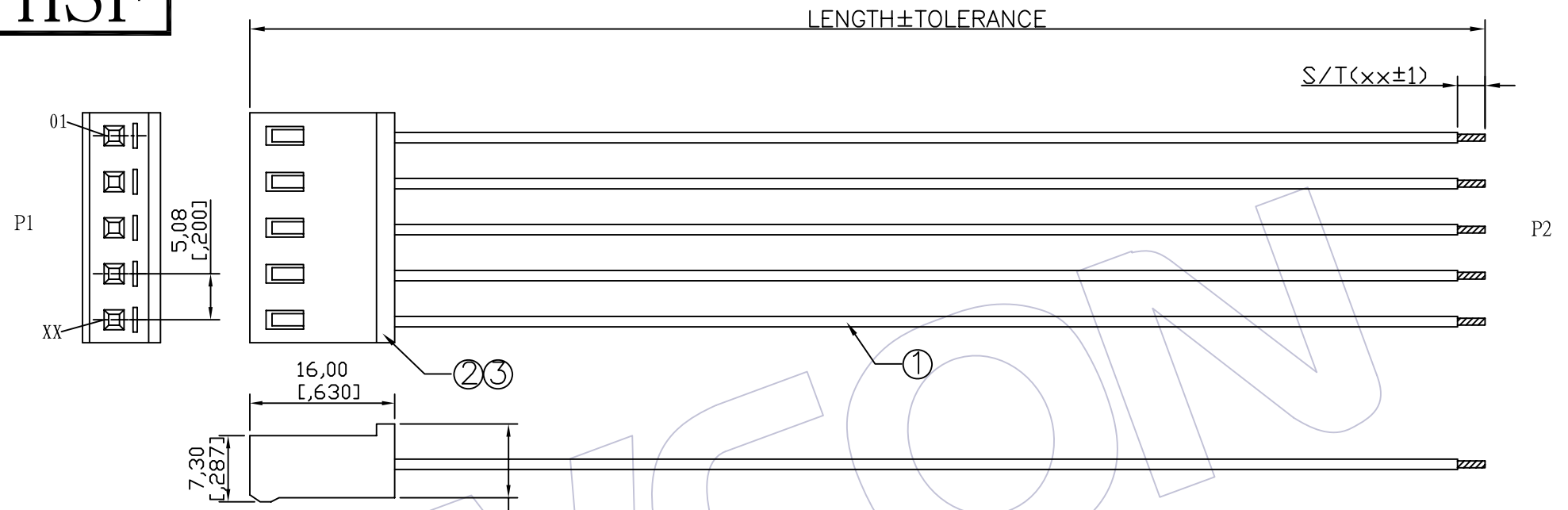


HSF



SPECIFICATIONS
 Insulation Resistance: 5MΩ Min
 Contact Resistance: 3.0Ω Max
 Withstand Voltage: DC 300V, 10S
 The Cable Assembly Must 100% Test

Ordering Information

C9170 - xx 01 xxx 001

No.of Pins: 02~15P Shape Style: 01=one end Process, another one end plate tin Length of Line

CONNECT METHOD

	P1 Color	P2
01	XXX	OPEN
02	XXX	OPEN
03	XXX	OPEN
...
XX	XXX	OPEN

Wire SPEC	LENGTH	TOLERANCE
ULxxxx 18~24AWG	1~499	±5
	500~999	±10
	1000~1500	±15
	1501~3000	±20
	3001~5000	±30
	5001~	± Lx1%

NO.	PART NO.	NAME	Specification	Q'TY	UNIT
③	WF5081-TBSN01	Terminal	5.08mm Brass Tin Terminal	xx	PCS
②	WF5081-HxxW01	Housing	Single Row PH5.08mm xxP White Housing	1	PCS
①	Wxxxx-1xxx00001	WIRE	UL:xxxx,AWG:18~24,Color:xx,Wire	xxxx	MM

AO		09/10/26	NEW			工程图 ENGINEERING	绘图 DRAW	BEN	09/10/26	SCALE	FREE	WCON 维峰五金电子有限公司 WAFE HARDWARE ELECTRONICS CO. LTD	
版次 REV	日期 DATE	变更说明 MODIFICATION DESCRIPTION	变更 CHANGE	核准 APPROVE		X.X ±0.30	设计 DESIGN			UNIT	mm		
						X.XX ±0.20	审核 CHECK			SIZE	A4	品名 TITLE:	PH5.08 **P Housing TO OPEN
						X.XXX ±0.10	核准 APPROVE			SHEET	1/1	客户料号Customer NO.	
						Angle ± 2'				PROJ.			
						DIM TOL							