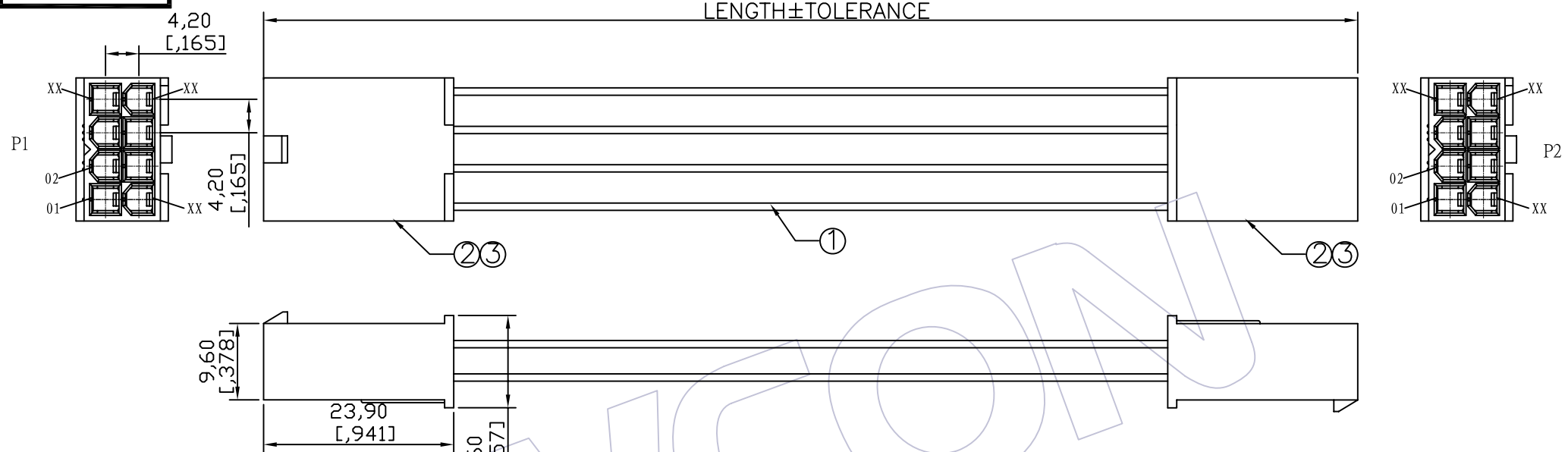


# HSF



**SPECIFICATIONS**  
 Insulation Resistance:  $5M\Omega$  Min  
 Contact Resistance:  $3.0\Omega$  Max  
 Withstand Voltage: DC 300V, 10S  
 The Cable Assembly Must 100% Test

**CONNECT METHOD**

P1	Color	P2
01	XXX	01
02	XXX	02
03	XXX	03
XX	XXX	XX

Wire SPEC	LENGTH	TOLERANCE
ULxxxx 18~24AWG	1~499	$\pm 5$
	500~999	$\pm 10$
	1000~1500	$\pm 15$
	1501~3000	$\pm 20$
	3001~5000	$\pm 30$
	5001~	$\pm Lx1\%$

## Ordering Information

**C9160 - xx 02 xxx 501**

No. of Pins: 02~12P      Shape Style: 02=Both ends Process      Length of Line

③	WF4201-Txxx0x	Terminal	4.20mm Phosphor Bronze/Brass Tin Terminal	Double xx	PCS
②	WF4201-2Hxxx03	Housing	Dual Row PH4.20mm xxP Color:xx Housing	2	PCS
①	Wxxxx-1xxx00001	WIRE	UL:xxxx,AWG:18~24,Color:xx,Wire	xxxx	MM
NO.	PART NO.	NAME	Specification	Q' TY	UNIT

						工程图 ENGINEERING	绘图 DRAW	BEN	09/10/20	SCALE	FREE	<b>WCON</b> 维峰五金电子有限公司 WAFE HARDWARE ELECTRONICS CO. LTD 料号 PART NO. C9160-xx02xxx501 品名 TITLE: PH4.20 **P HSG TO PH4.20 **P HSG 客户料号 Customer NO.
						X.X	$\pm 0.30$			UNIT	mm	
						X.XX	$\pm 0.20$			SIZE	A4	
						X.XXX	$\pm 0.10$			SHEET	1/1	
AO	09/10/20	NEW				Angle	$\pm 2'$			PROJ.	客户料号 Customer NO.	
版次 REV	日期 DATE	变更说明 MODIFICATION DESCRIPTION	变更 CHANGE	核准 APPROVE		工程图 ENGINEERING	绘图 DRAW					