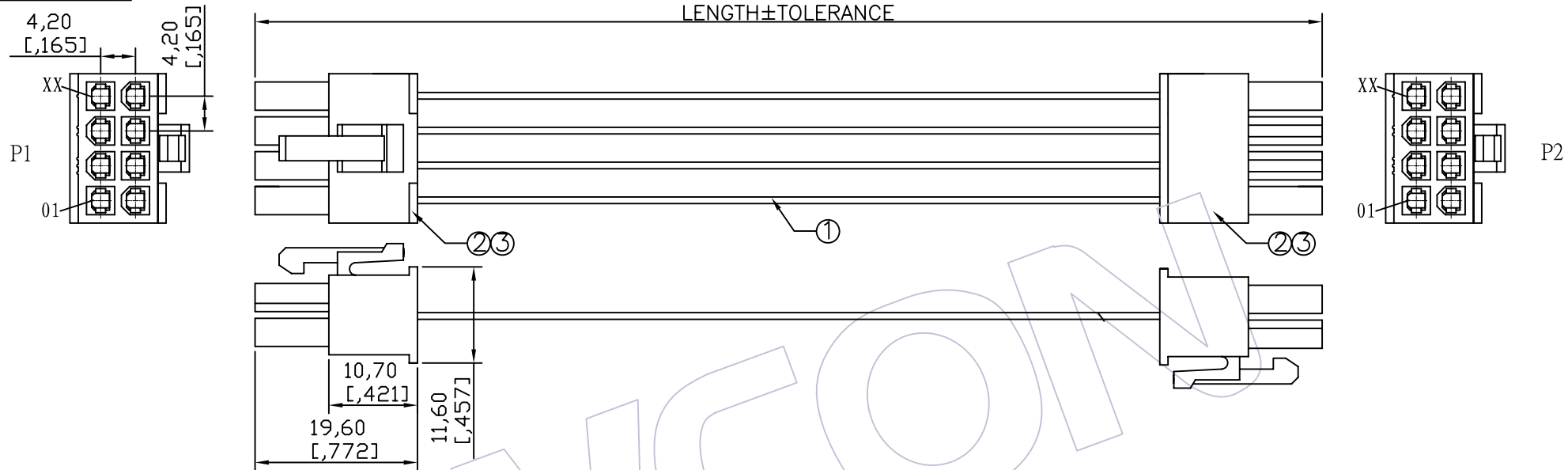


HSF



SPECIFICATIONS

Insulation Resistance: 5MΩ Min
 Contact Resistance: 3.0Ω Max
 Withstand Voltage: DC 300V, 10S
 The Cable Assembly Must 100% Test

CONNECT METHOD

P1	Color	P2
01	XXX	01
02	XXX	02
03	XXX	03
	⋮	
XX	XXX	XX

Wire SPEC	LENGTH	TOLERANCE
ULxxxx 18~24AWG	1~499	±5
	500~999	±10
	1000~1500	±15
	1501~3000	±20
	3001~5000	±30
	5001~	± Lx1%

Ordering Information

C9160 - xx 02 xxx 301

No. of Pins:
02~12P

Shape Style:
02=Both ends Process

Length of Line

③	WF4201-Txxx0x	Terminal	4.20mm Phosphor Bronze/Brass Tin Terminal	Double xx	PCS
②	WF4201-2Hxxx01	Housing	Dual Row PH4.20mm xxP Color:xx Housing	2	PCS
①	Wxxxx-1xxx00001	WIRE	UL:xxxx,AWG:18~24,Color:xx,Wire	xxxx	MM
NO.	PART NO.	NAME	Specification	Q' TY	UNIT

						工程图 ENGINEERING	绘图 DRAW	BEN	09/10/20	SCALE	FREE	WCON 维峰五金电子有限公司 WAFE HARDWARE ELECTRONICS CO. LTD 料号 PART NO. C9160-xx01xxx301 品名 TITLE: PH4.20 **P Housing TO OPEN 客户料号Customer NO.		
						X.X	±0.30			UNIT	mm			
						X.XX	±0.20			SIZE	A4			
						X.XXX	±0.10			SHEET	1/1			
AO	09/10/20	NEW				Angle	± 2'			PROJ.	客户料号Customer NO.			
版次 REV	日期 DATE	变更说明 MODIFICATION DESCRIPTION	变更 CHANGE	核准 APPROVE	工程图 ENGINEERING	绘图 DRAW	设计 DESIGN	审核 CHECK	核准 APPROVE	SCALE	UNIT	SIZE	SHEET	PROJ.