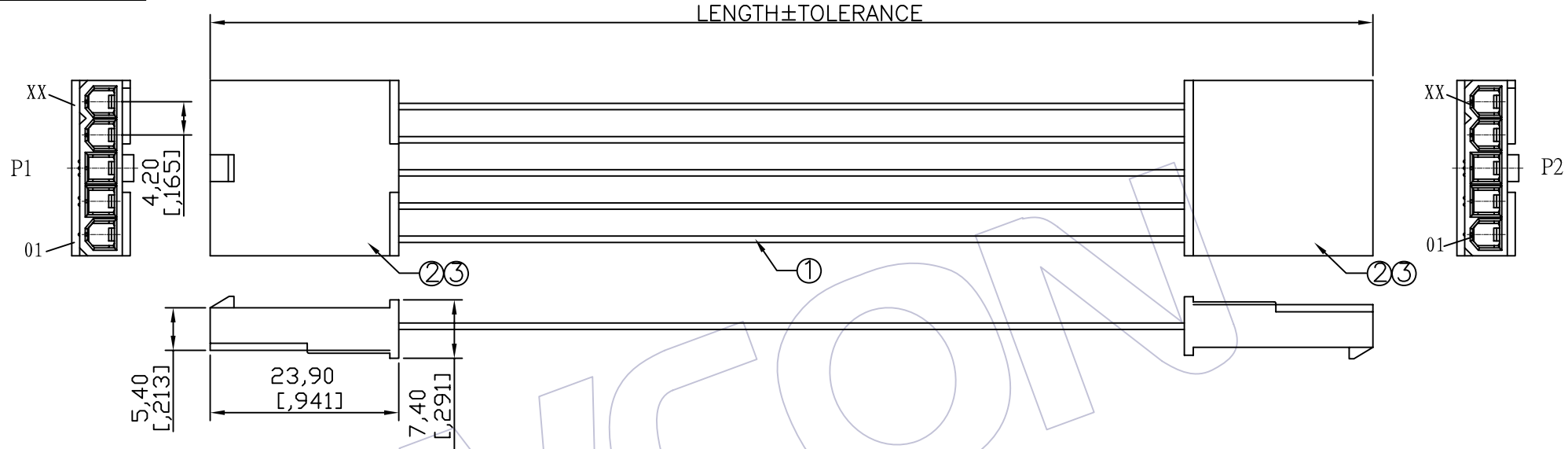


HSF



SPECIFICATIONS

Insulation Resistance: $5M\Omega$ Min
 Contact Resistance: 3.0Ω Max
 Withstand Voltage: DC 300V, 10S
 The Cable Assembly Must 100% Test

CONNECT METHOD

P1	Color	P2
01	XXX	01
02	XXX	02
03	XXX	03
XX	XXX	XX

Wire SPEC	LENGTH	TOLERANCE
ULxxxx 18~24AWG	1~499	± 5
	500~999	± 10
	1000~1500	± 15
	1501~3000	± 20
	3001~5000	± 30
	5001~	$\pm L \times 1\%$

Ordering Information

C9160 - xx 02 xxx 201

No.of Pins:
02~05P

Shape Style:
02=Both ends Process

Length of Line

NO.	PART NO.	NAME	Specification	Q'TY	UNIT
③	WF4201-Txxx0x	Terminal	4.20mm Phosphor Bronze/Brass Tin Terminal	Double xx	PCS
②	WF4201-1Hxxx03	Housing	Single Row PH4.20mm xxP Color:xx Housing	2	PCS
①	Wxxxx-1xxx00001	WIRE	UL:xxxx,AWG:18~24,Color:xx,Wire	xxxx	MM

版次 REV		日期 DATE		变更说明 MODIFICATION DESCRIPTION		变更 CHANGE		核准 APPROVE		工程图 ENGINEERING		绘图 DRAW		BEN		09/10/20		SCALE	FREE	WCON 维峰五金电子有限公司 WAFE HARDWARE ELECTRONICS CO. LTD	
A0		09/10/20		NEW						X.X ± 0.30		设计 DESIGN						UNIT	mm	料号 PART NO. C9160-xx02xxx201	
										X.XX ± 0.20		审核 CHECK						SIZE	A4	品名 TITLE: PH4.20 **P HSG TO PH4.20 **P HSG	
										X.XXX ± 0.10		核准 APPROVE						SHEET	1/1	客户料号 Customer NO.	
										Angle $\pm 2'$								PROJ.			
										DIM TOL											