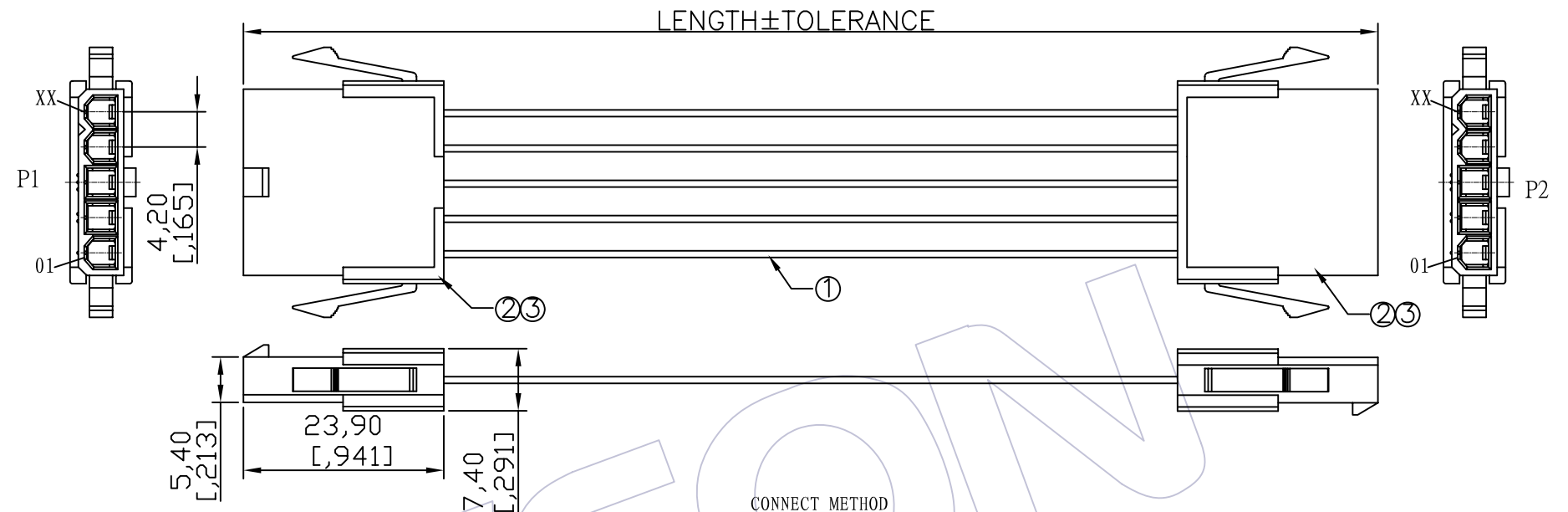


HSF



SPECIFICATIONS
 Insulation Resistance: 5MΩ Min
 Contact Resistance: 3.0Ω Max
 Withstand Voltage: DC 300V, 10S
 The Cable Assembly Must 100% Test

CONNECT METHOD

P1	Color	P2
01	XXX	OPEN
02	XXX	OPEN
03	XXX	OPEN
XX	XXX	OPEN

Wire SPEC	LENGTH	TOLERANCE
ULxxxx 18~24AWG	1~499	±5
	500~999	±10
	1000~1500	±15
	1501~3000	±20
	3001~5000	±30
	5001~	± Lx1%

Ordering Information
C9160 - xx 02 xxx 101

No.of Pins: 02~05P Shape Style: 02=Both ends Process Length of Line: xxx

NO.	PART NO.	NAME	Specification	Q'TY	UNIT
③	WF4201-Txxx0x	Terminal	4.20mm Phosphor Bronze/Brass Tin Terminal	Double xx	PCS
②	WF4201-1Hxxx02	Housing	Single Row PH4.20mm xxP Color: xx Housing	2	PCS
①	Wxxxx-1xxx00001	WIRE	UL:xxxx,AWG:18~24,Color:xx,Wire	xxxx	MM

A0		09/10/20	NEW			工程图 ENGINEERING	绘图 DRAW	BEN	09/10/20	SCALE	FREE	WCON 维峰五金电子有限公司 WAFE HARDWARE ELECTRONICS CO. LTD	
版次 REV	日期 DATE	变更说明 MODIFICATION DESCRIPTION	变更 CHANGE	核准 APPROVE		X.X ±0.30	设计 DESIGN			UNIT	mm	料号 PART NO.	C9160-xx02xxx101
						X.XX ±0.20	审核 CHECK			SIZE	A4	品名 TITLE:	PH4.20 **P HSG TO PH4.20 **P HSG
						X.XXX ±0.10	核准 APPROVE			SHEET	1/1	客户料号 Customer NO.	
						Angle ± 2'				PROJ.	↻		
						DIM TOL							