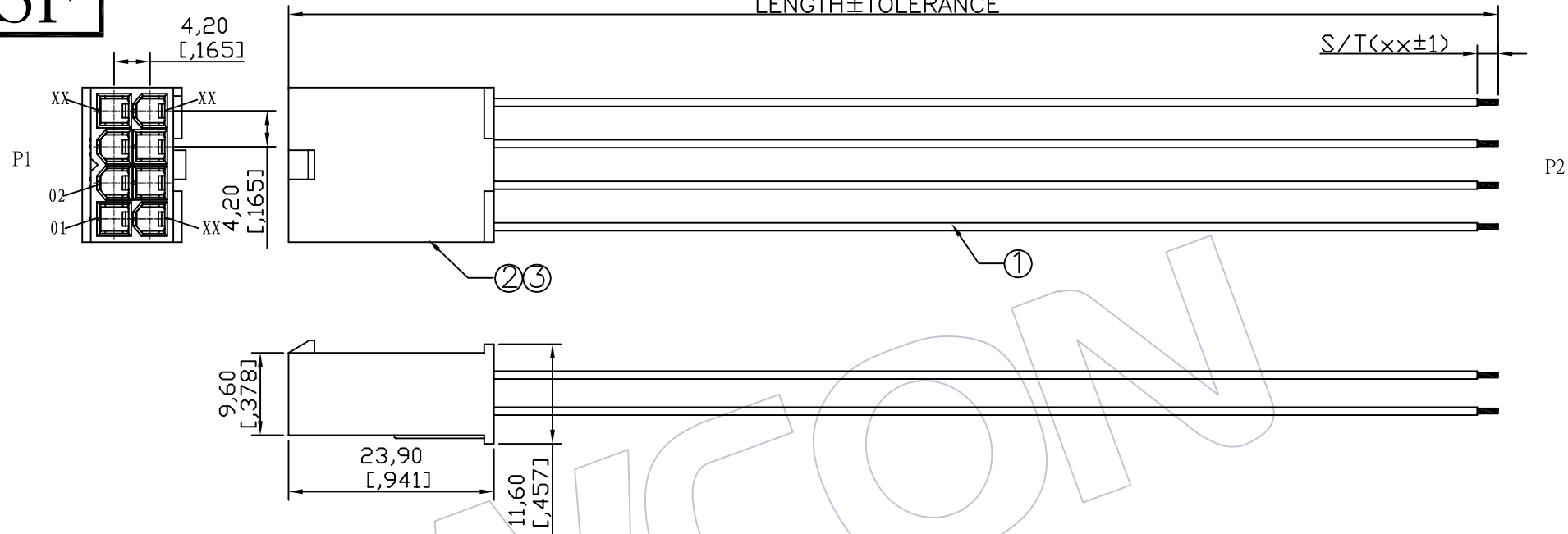


HSF



SPECIFICATIONS
 Insulation Resistance: 5MΩ Min
 Contact Resistance: 3.0Ω Max
 Withstand Voltage: DC 300V, 10S
 The Cable Assembly Must 100% Test

CONNECT METHOD

P1	Color	P2
01	XXX	OPEN
02	XXX	OPEN
03	XXX	OPEN
XX	XXX	OPEN

Wire SPEC	LENGTH	TOLERANCE
ULxxxx 18~24AWG	1~499	±5
	500~999	±10
	1000~1500	±15
	1501~3000	±20
	3001~5000	±30
	5001~	± Lx1%

Ordering Information

C9160 - xx 01 xxx 501

No. of Pins: 02~12P
 Shape Style: 01=one end Process, another one end plate tin
 Length of Line

NO.	PART NO.	NAME	Specification	Q'TY	UNIT
③	WF4201-Txxx0x	Terminal	4.20mm Phosphor Bronze/Brass Tin Terminal	xx	PCS
②	WF4201-2Hxxx03	Housing	Dual Row PH4.20mm xxP Color: xx Housing	1	PCS
①	Wxxxx-1xxx00001	WIRE	UL:xxxx,AWG:18~24,Color:xx,Wire	xxxx	MM

REV	DATE	MODIFICATION DESCRIPTION	CHANGE	APPROVE	ENGINEERING	DRAW	DATE	SCALE	UNIT	SHEET	TITLE	CUSTOMER NO.
A0	09/10/20	NEW			X.X	±0.30	09/10/20	FREE	mm	1/1	料号 PART NO. C9160-xx01xxx501	
					X.XX	±0.20					品名 TITLE: PH4.20 **P Housing TO OPEN	
					X.XXX	±0.10						
					Angle	± 2'						
					DIM	TOL						

WCON 维峰五金电子有限公司
 WAVE HARDWARE ELECTRONICS CO. LTD