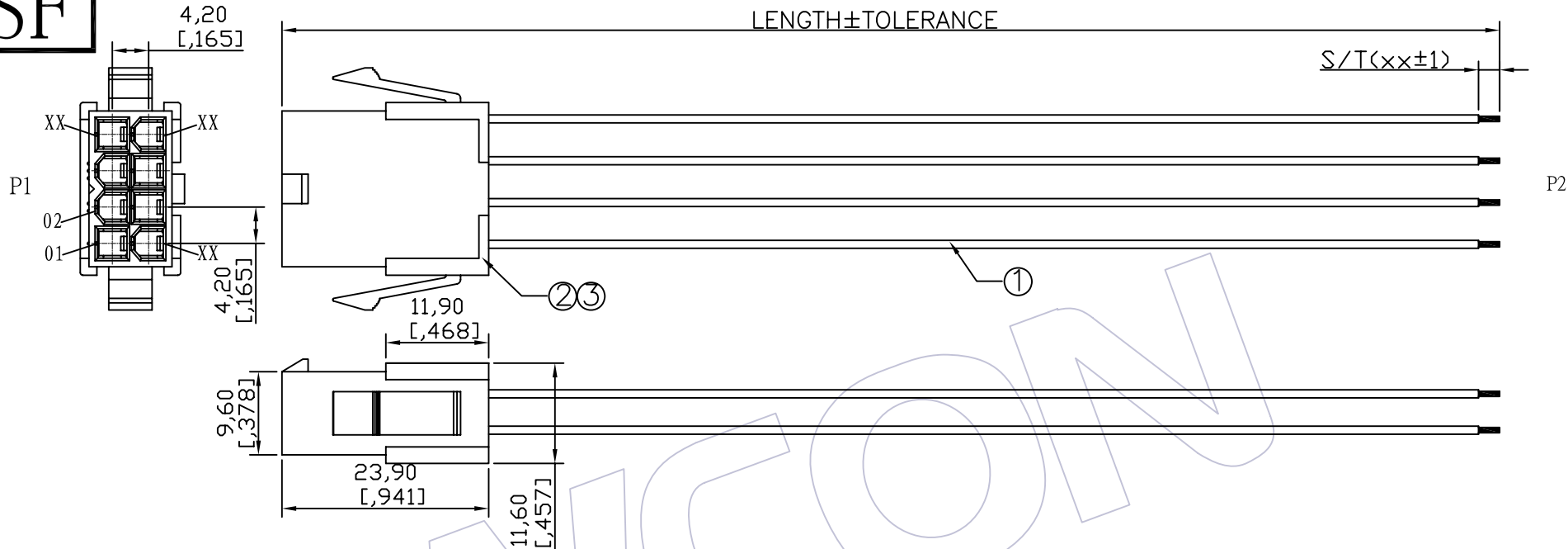


HSF



SPECIFICATIONS
 Insulation Resistance: 5MΩ Min
 Contact Resistance: 3.0Ω Max
 Withstand Voltage: DC 300V, 10S
 The Cable Assembly Must 100% Test

CONNECT METHOD

| P1 | Color | P2 |
|----|-------|------|
| 01 | XXX | OPEN |
| 02 | XXX | OPEN |
| 03 | XXX | OPEN |
| XX | XXX | OPEN |

| Wire SPEC | LENGTH | TOLERANCE |
|--------------------|-----------|-----------|
| ULxxxx 18~24AWG | 1~499 | ±5 |
| | 500~999 | ±10 |
| | 1000~1500 | ±15 |
| | 1501~3000 | ±20 |
| | 3001~5000 | ±30 |
| | 5001~ | ± Lx1% |

Ordering Information

C9160 - xx 01 xxx 401

No. of Pins: 02~12P
 Shape Style: 01=one end Process, another one end plate tin
 Length of Line

| ③ | WF4201-Txxx0x | Terminal | 4.20mm Phosphor Bronze/Brass Tin Terminal | xx | PCS |
|-----|-----------------|----------|---|------|------|
| ② | WF4201-2Hxxx02 | Housing | Dual Row PH4.20mm xxP Color:xx Housing | 1 | PCS |
| ① | Wxxxx-1xxx00001 | WIRE | UL:xxxx,AWG:18~24,Color:xx,Wire | xxxx | MM |
| NO. | PART NO. | NAME | Specification | Q'TY | UNIT |

| | | | | | 工程图 ENGINEERING | 绘图 DRAW | BEN | 09/10/20 | SCALE | FREE | WCON 维峰五金电子有限公司 WAVE HARDWARE ELECTRONICS CO. LTD 料号 PART NO. C9160-xx01xxx401 品名 TITLE: PH4.20 **P Housing TO OPEN 客户料号 Customer NO. |
|-----------|------------|----------------------------------|--------------|---------------|--------------------|---------------|-----|----------|-------|-------------------|--|
| | | | | | X.X ±0.30 | 设计 DESIGN | | | UNIT | mm | |
| | | | | | X.XX ±0.20 | 审核 CHECK | | | SHEET | 1/1 | |
| | | | | | X.XXX ±0.10 | 核准 APPROVE | | | PROJ. | 客户料号 Customer NO. | |
| | | | | | Angle ± 2' | 核准 APPROVE | | | | | |
| A0 | 09/10/20 | NEW | | | | | | | | | |
| 版次 REV | 日期 DATE | 变更说明 MODIFICATION DESCRIPTION | 变更 CHANGE | 核准 APPROVE | | | | | | | |