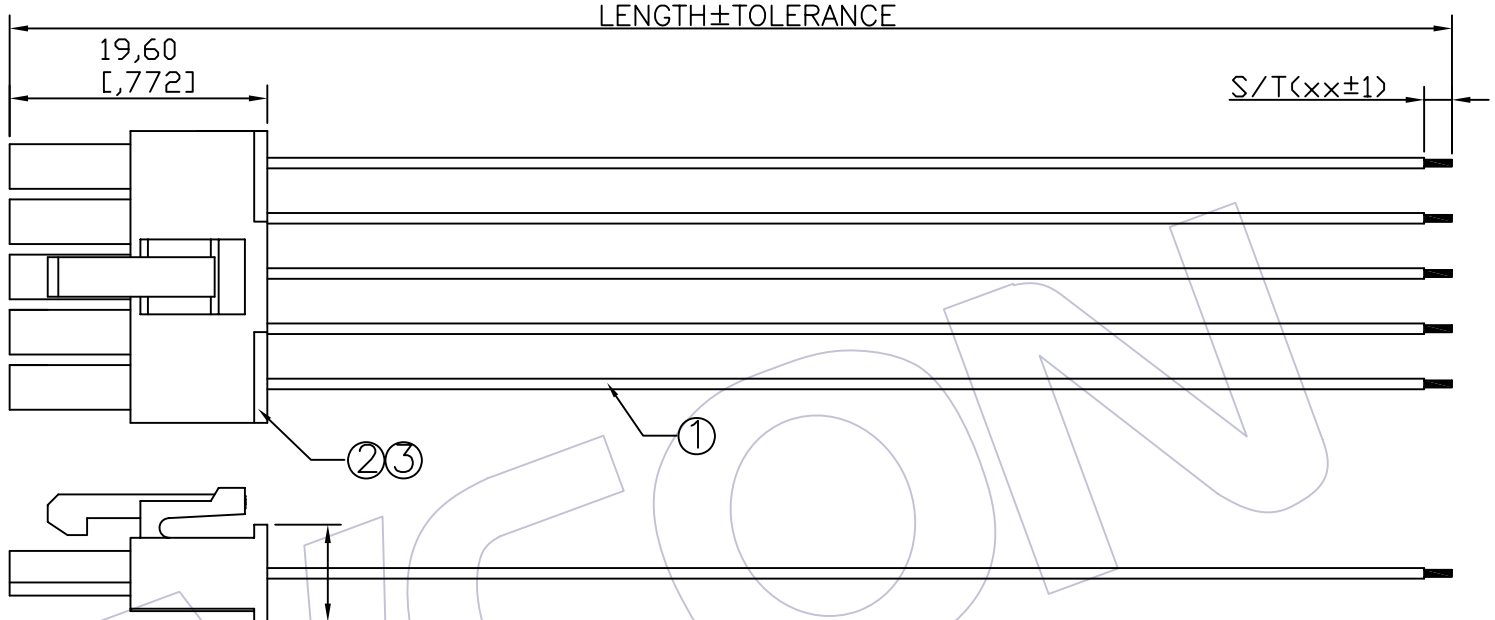
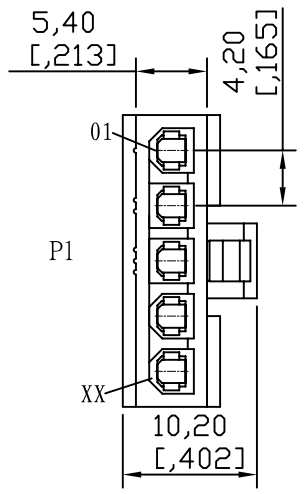


HSF



SPECIFICATIONS
 Insulation Resistance: 5MΩ Min
 Contact Resistance: 3.0Ω Max
 Withstand Voltage: DC 300V, 10S
 The Cable Assembly Must 100% Test

Ordering Information

C9160 - xx 01 xxx 001

No. of Pins: 02~05P Shape Style: 01=one end Process, another one end plate tin Length of Line

CONNECT METHOD

P1	Color	P2
01	XXX	OPEN
02	XXX	OPEN
03	XXX	OPEN
XX	XXX	OPEN

Wire SPEC	LENGTH	TOLERANCE
ULxxxx 18~24AWG	1~499	±5
	500~999	±10
	1000~1500	±15
	1501~3000	±20
	3001~5000	±30
	5001~	± Lx1%

NO.	PART NO.	NAME	Specification	Q' TY	UNIT
③	WF4201-Txxx0x	Terminal	4.20mm Phosphor Bronze/Brass Tin Terminal	xx	PCS
②	WF4201-1Hxxx01	Housing	Single Row PH4.20mm xxP Color: xx Housing	1	PCS
①	Wxxxx-1xxx00001	WIRE	UL:xxxx,AWG:18~24,Color:xx,Wire	xxxx	MM

AO	09/10/23	NEW				工程图 ENGINEERING	绘图 DRAW	BEN	09/10/23	SCALE	FREE	WCON 维峰五金电子有限公司 WAVE HARDWARE ELECTRONICS CO. LTD 料号 PART NO. C9160-xx01xxx001 品名 TITLE: PH4.20 **P Housing TO OPEN 客户料号 Customer NO.
版次 REV	日期 DATE	变更说明 MODIFICATION DESCRIPTION	变更 CHANGE	核准 APPROVE		X.X ±0.30	设计 DESIGN			UNIT	mm	
						X.XX ±0.20	审核 CHECK			SIZE	A4	
						X.XXX ±0.10	核准 APPROVE			SHEET	1/1	
						Angle ± 2'				PROJ.	客户料号 Customer NO.	