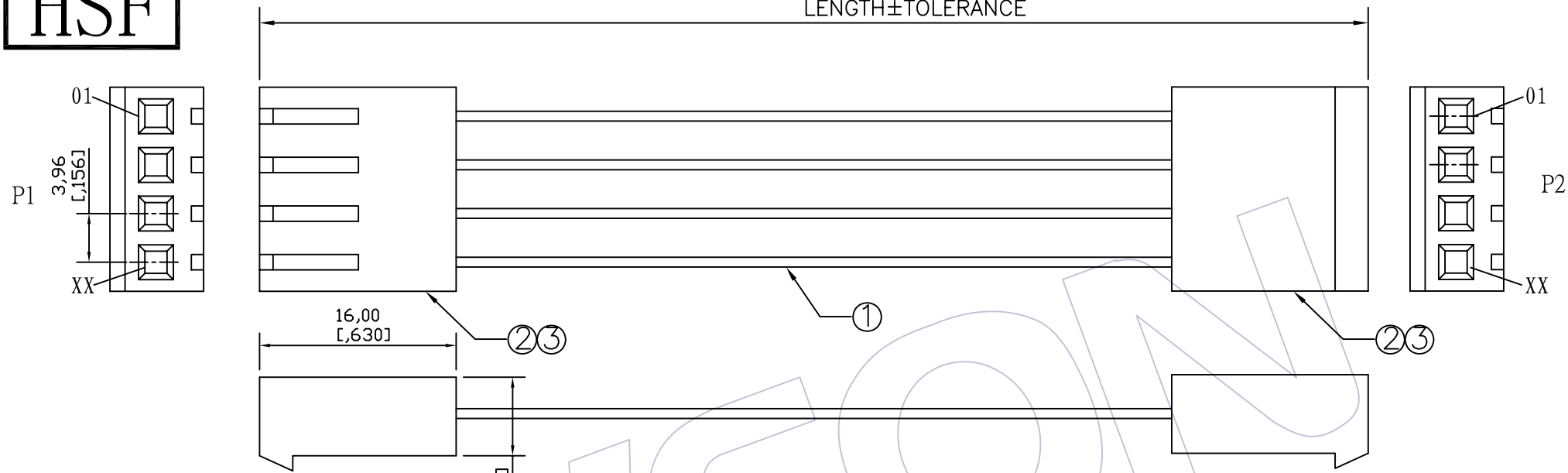


HSF



SPECIFICATIONS

Insulation Resistance: 5MΩ Min
 Contact Resistance: 3.0Ω Max
 Withstand Voltage: DC 300V, 10S
 The Cable Assembly Must 100% Test

CONNECT METHOD

P1	Color	P2
01	XXX	01
02	XXX	02
03	XXX	03
XX	XXX	XX

Wire SPEC	LENGTH	TOLERANCE
ULxxxx 18~22AWG	1~499	±5
	500~999	±10
	1000~1500	±15
	1501~3000	±20
	3001~5000	±30
	5001~	± Lx1%

Ordering Information

C9150 - xx 02 xxx 001

No. of Pins: 02~20P Shape Style: 02=Both ends Process Length of Line

NO.	PART NO.	NAME	Specification	Q' TY	UNIT
③	WF3961-TxSN01	Terminal	MOLEX 3.96mm Phosphor Bronze/Brass Tin Terminal	Double xx	PCS
②	WF3961-HxxW01	Housing	MOLEX 3.96mm xxP WHITE Housing	2	PCS
①	Wxxxx-1xxx00001	WIRE	UL:xxxx,AWG:18~22,Color:xx,Wire	xxxx	MM

REV	DATE	MODIFICATION DESCRIPTION	CHANGE	APPROVE	SCALE	FREE	UNIT	SIZE	SHEET	PROJ.	客户料号Customer NO.
A0	09/10/22	NEW					mm	A4	1/1		

WCON 维峰五金电子有限公司
 WAFE HARDWARE ELECTRONICS CO. LTD

料号 PART NO. C9150-xx02xxx001
 品名 TITLE: PH3.96 **P HSG TO PH3.96 **P HSG