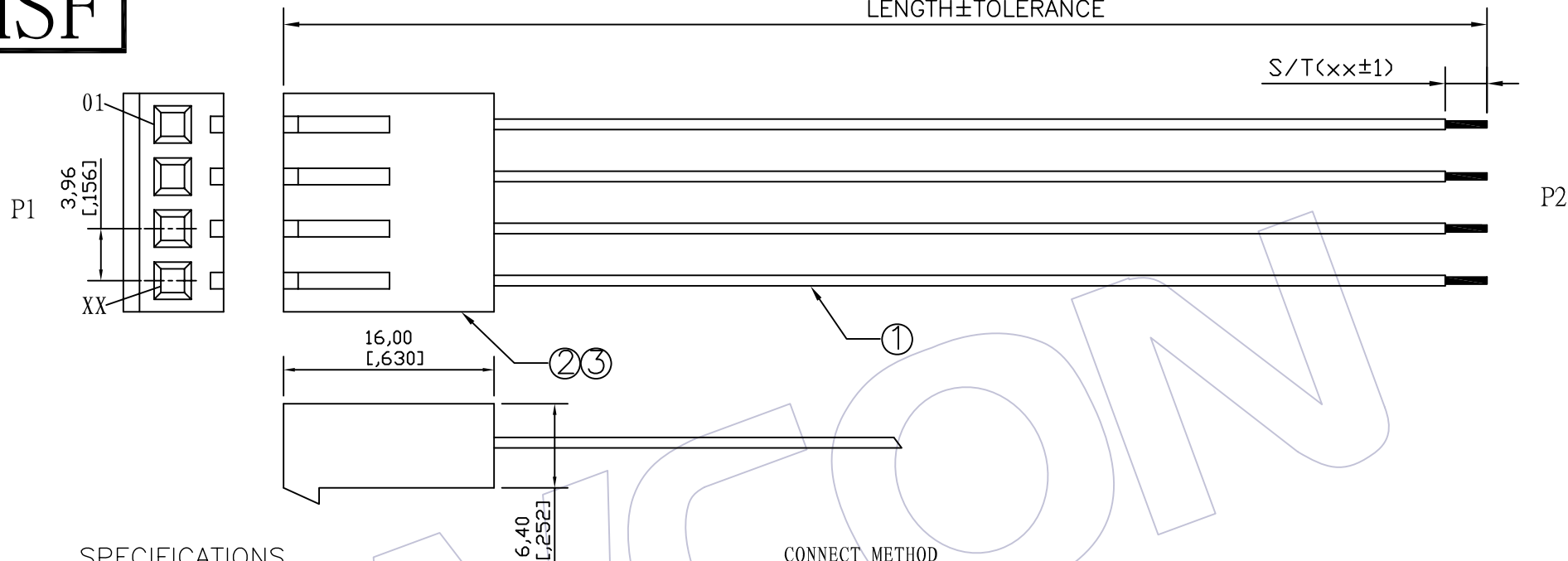


HSF



SPECIFICATIONS

Insulation Resistance: 5MΩ Min
 Contact Resistance: 3.0Ω Max
 Withstand Voltage: DC 300V, 10S
 The Cable Assembly Must 100% Test

CONNECT METHOD

P1	Color	P2
01	XXX	OPEN
02	XXX	OPEN
03	XXX	OPEN
XX	XXX	OPEN

Wire SPEC	LENGTH	TOLERANCE
ULxxxx 18~22AWG	1~499	±5
	500~999	±10
	1000~1500	±15
	1501~3000	±20
	3001~5000	±30
	5001~	± Lx1%

Ordering Information

C9150 - xx 01 xxx 001

No. of Pins: 02~20P
 Shape Style: 01=one end Process, another one end plate tin
 Length of Line

③	WF3961-TxSN01	Terminal	MOLEX 3.96mm Phosphor Bronze/Brass Tin Terminal	xx	PCS
②	WF3961-HxxW01	Housing	MOLEX 3.96mm xxP WHITE Housing	1	PCS
①	Wxxxx-1xxx00001	WIRE	UL:xxxx,AWG:18~22,Color:xx,Wire	xxxx	MM
NO.	PART NO.	NAME	Specification	Q'TY	UNIT

						工程图 ENGINEERING	绘图 DRAW	BEN	09/10/22	SCALE	FREE	WCON 维峰五金电子有限公司 WAFE HARDWARE ELECTRONICS CO. LTD		
						X.X	±0.30			UNIT	mm			
						X.XX	±0.20			SIZE	A4		料号 PART NO.	C9150-xx01xxx001
						X.XXX	±0.10			SHEET	1/1		品名 TITLE:	PH3.96 **P Housing TO OPEN
A0	09/10/22		NEW			Angle	± 2'			PROJ.	客户料号Customer NO.			
版次 REV	日期 DATE	变更说明 MODIFICATION DESCRIPTION		变更 CHANGE	核准 APPROVE	DIM	TOL	核准 APPROVE						