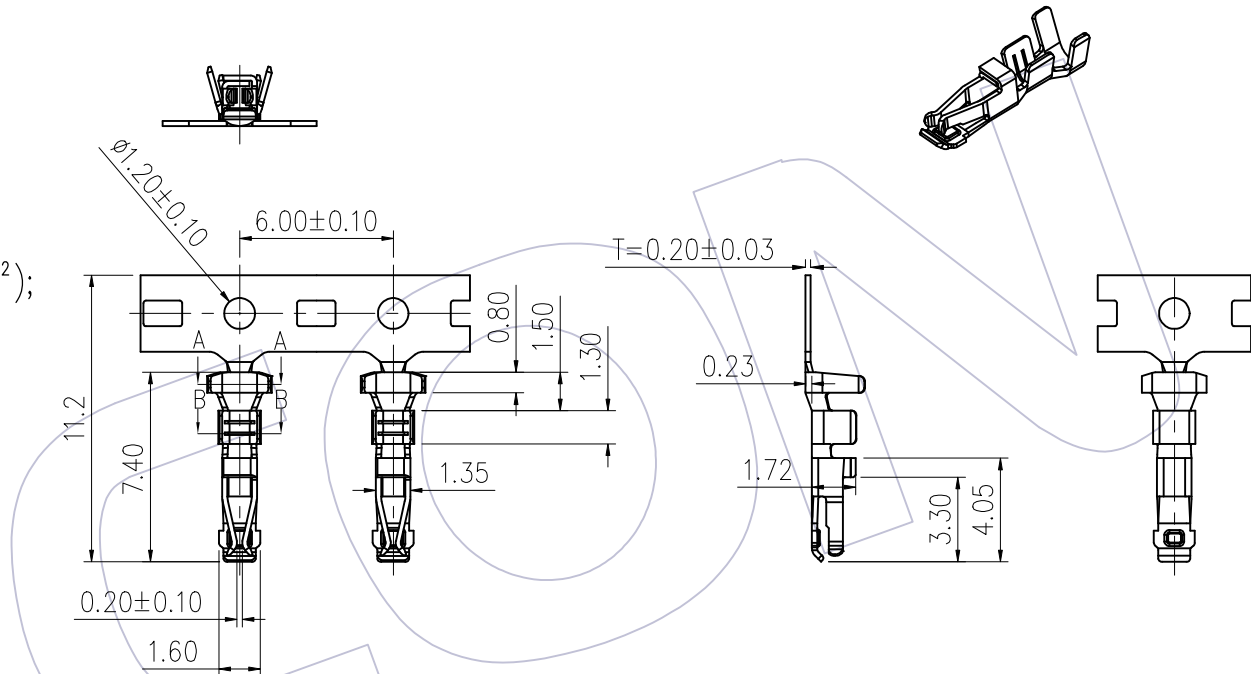


HSF

NOTES:

1. Rated Current: 2P 4.7A, 3~8P 3.5A,
9~16P 3.4A at 25±5°C;
2. Contact Resistance: Initial: 10mΩ Max.
Final: 20mΩ Max;
3. Applicable Wire: 22-26AWG(0.35-0.13mm²);
4. Operation Temperature: -40°C to +125°C
5. Contact Material: copper alloy
6. Contact Plating: 80u" Bright Sn overall;
30u" Ni underplating overall;



Ordering Information

WF2010-T C SN 01

- T=Terminal
- Material: C=C7205
- Plating SN=Bright Sn
- Wcon Internal Code

REV	DATE	MODIFICATION DESCRIPTION	CHANGE	OPERATION		DRAW	DATE	SCALE	Fit	PART NO.
				x.	±0.30					
0	2022/08/30	NEW	Milo	x.x	±0.30	CHECK	2022/08/30	UNIT	mm	WF2010-TCXX01
				x.xx	±0.30		DATE	SIZE	A4	TITLE: 2.0mm Auto-Conn, Female ,Crimp Terminal
				Angle	± 3°	APPROVE	DATE	SHEET	1/2	Customer NO.
				DIM	TOL			PROJ.		

WCON

Http: www.wcon.com

WCON-Dongguan Tel: +86 769 85358920 Fax: +86 769 85358915 E-mail: sales@wcon.com	WCON-Kunshan Tel: +86 512 57468408 Fax: +86 512 57468468 E-mail: sales@wcon.com
---	--