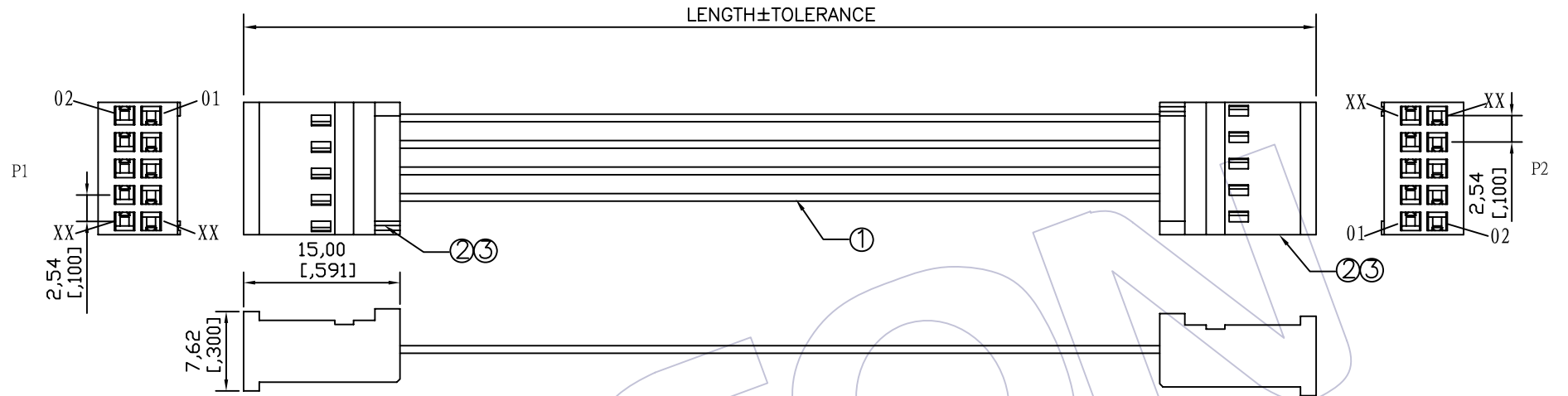


# HSF



## SPECIFICATIONS

Insulation Resistance: 5MΩ Min  
 Contact Resistance: 3.0Ω Max  
 Withstand Voltage: DC 300V, 10S  
 The Cable Assembly Must 100% Test

## CONNECT METHOD

P1	Color	P2
01	XXX	XX
02	XXX	XX
03	XXX	XX
XX	XXX	01

Wire SPEC	LENGTH	TOLERANCE
ULxxxx 22~28AWG	1~499	±5
	500~999	±10
	1000~1500	±15
	1501~3000	±20
	3001~5000	±30
	5001~	± Lx1%

## Ordering Information

C9140 - XX 02 xxx 401

No. of Pins: 06~40P      Shape Style: 02=Both ends Process      Length of Line

NO.	PART NO.	NAME	Specification	Q' TY	UNIT
③	WF2547-TPSN01	Terminal	PH2.54mm Phosphor Bronze/Brass Tin Terminal	Double xx	PCS
②	WF2547-2HxxW01	Housing	PH2.54mm 2X **P White Housing	2	PCS
①	Wxxxx-1xxx00001	WIRE	UL: xxxx, AWG: 22~28, Color: xx, Wire	xxxx	MM

REV	DATE	MODIFICATION DESCRIPTION	CHANGE	APPROVE	ENGINEERING	DRAW	SCALE	UNIT	SHEET	PROJ.	客户料号 Customer NO.
A0	09/09/29	NEW			X.X ±0.30	BEN	FREE	mm	1/1		
					X.XX ±0.20						
					X.XXX ±0.10						
					Angle ± 2'						
					DIM TOL						

**WCON** 维峰五金电子有限公司  
 WAVE HARDWARE ELECTRONICS CO. LTD

料号 PART NO. C9140-xx02xxx401  
 品名 TITLE: PH2.54 \*\*P HSG TO PH2.54 \*\*P HSG