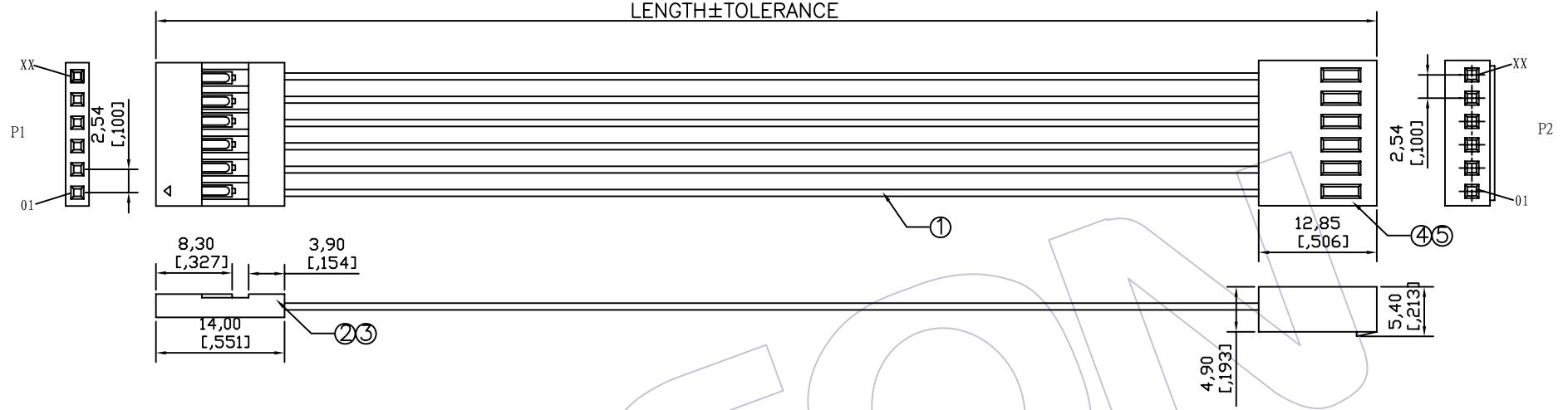


HSF



SPECIFICATIONS
 Insulation Resistance: 5MΩ Min
 Contact Resistance: 3.0Ω Max
 Withstand Voltage: DC 300V, 10S
 The Cable Assembly Must 100% Test

CONNECT METHOD

P1	Color	P2
01	XXX	01
02	XXX	02
03	XXX	03
XX	XXX	XX

Wire SPEC	LENGTH	TOLERANCE
ULxxxx 22~28AWG	1~499	±5
	500~999	±10
	1000~1500	±15
	1501~3000	±20
	3001~5000	±30
	5001~	± Lx1%

Ordering Information

C9140 - xx 02 xxx 201

No. of Pins: 04~30P Shape Style: 02=Both ends Process Length of Line

NO.	PART NO.	NAME	Specification	Q'TY	UNIT
⑤	WF2544-TPSN01	Terminal	PH2. 54mm Phosphor Bronze/Brass Tin Terminal	XX	PCS
④	WF2544-Hxxx01	Housing	PH2. 54mm **P Color: XX Housing	1	PCS
③	WF2543-TPSN01	Terminal	Du Pont 2. 54mm Phosphor Bronze/Brass Tin Terminal	XX	PCS
②	WF2543-1HxxB01	Housing	Du Pont Single ROW 2. 54mm xxP Black Housing	1	PCS
①	Wxxxx-1xxx00001	WIRE	UL: xxxx, AWG: 22~28, Color: xx, Wire	XXXX	MM

A0		09/09/29	NEW			工程图 ENGINEERING	绘图 DRAW	BEN	09/09/29	SCALE	FREE	WCON 维峰五金电子有限公司 WAFE HARDWARE ELECTRONICS CO. LTD 料号 PART NO. C9140-xx02xxx201 品名 TITLE: PH2.54 **P HSG TO PH2.54 **P HSG 客户料号 Customer NO.
版次 REV	日期 DATE	变更说明 MODIFICATION DESCRIPTION	变更 CHANGE	核准 APPROVE	X.X	±0.30	设计 DESIGN			UNIT	mm	
					X.XX	±0.20	审核 CHECK			SIZE	A4	
					X.XXX	±0.10	核准 APPROVE			SHEET	1/1	
					Angle	± 2'				PROJ.	客户料号 Customer NO.	
					DIM	TOL						