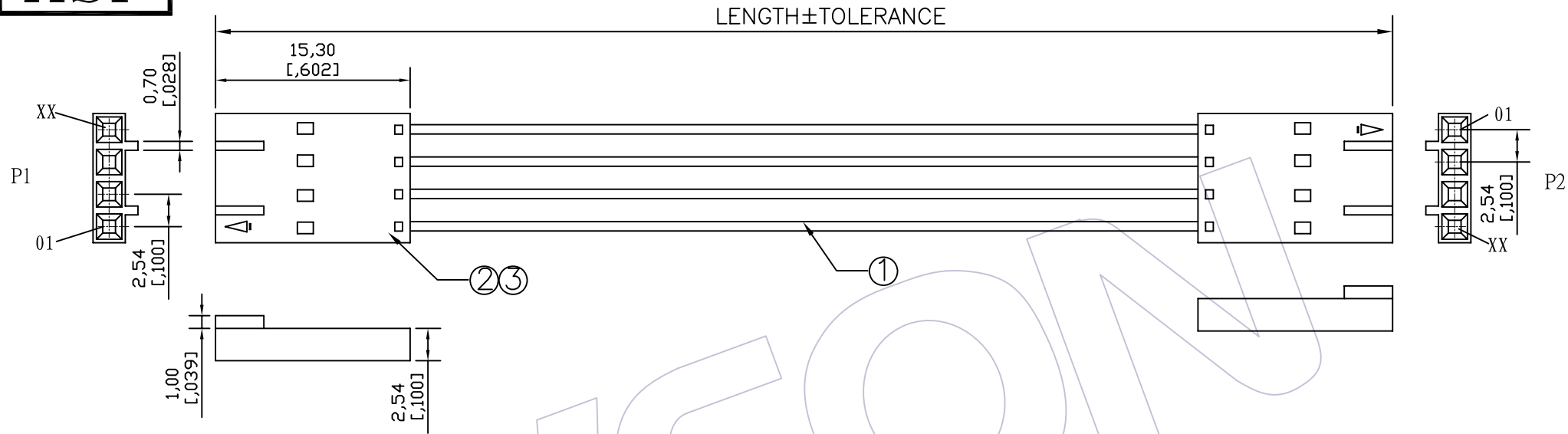


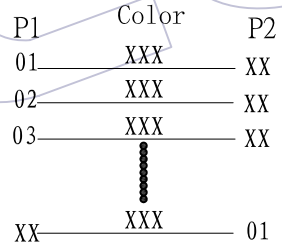
# HSF



### SPECIFICATIONS

Insulation Resistance: 5MΩ Min  
 Contact Resistance: 3.0Ω Max  
 Withstand Voltage: DC 300V, 10S  
 The Cable Assembly Must 100% Test

### CONNECT METHOD



Wire SPEC	LENGTH	TOLERANCE
ULxxxx 22~28AWG	1~499	±5
	500~999	±10
	1000~1500	±15
	1501~3000	±20
	3001~5000	±30
	5001~	± Lx1%

### Ordering Information

C9140 - xx 02 xxx 102

No.of Pins: 02~20P      Shape Style: 02=Both ends Process      Length of Line

NO.	PART NO.	NAME	Specification	Q' TY	UNIT
③	WF2542-TPSN01	Terminal	PH2.54mm Phosphor Bronze/Brass Tin Terminal	Double xx	PCS
②	WF2542-HxxB02	Housing	PH2.54mm xxP Black Housing	2	PCS
①	Wxxxx-1xxx00001	WIRE	UL: xxxx, AWG: 22~28, Color: xx, Wire	xxxx	MM

A0		09/09/29	NEW			工程图 ENGINEERING	绘图 DRAW	BEN	09/09/29	SCALE	FREE	<b>WCON</b> 维峰五金电子有限公司 WAFE HARDWARE ELECTRONICS CO. LTD	
版次 REV	日期 DATE	变更说明 MODIFICATION DESCRIPTION		变更 CHANGE	核准 APPROVE	X.X ±0.30	设计 DESIGN			UNIT	mm		
						X.XX ±0.20	审核 CHECK			SIZE	A4	品名 TITLE:	PH2.54 **P HSG TO PH2.54 **P HSG
						X.XXX ±0.10	核准 APPROVE			SHEET	1/1	客户料号Customer NO.	
						Angle ± 2'				PROJ.			
						DIM TOL							