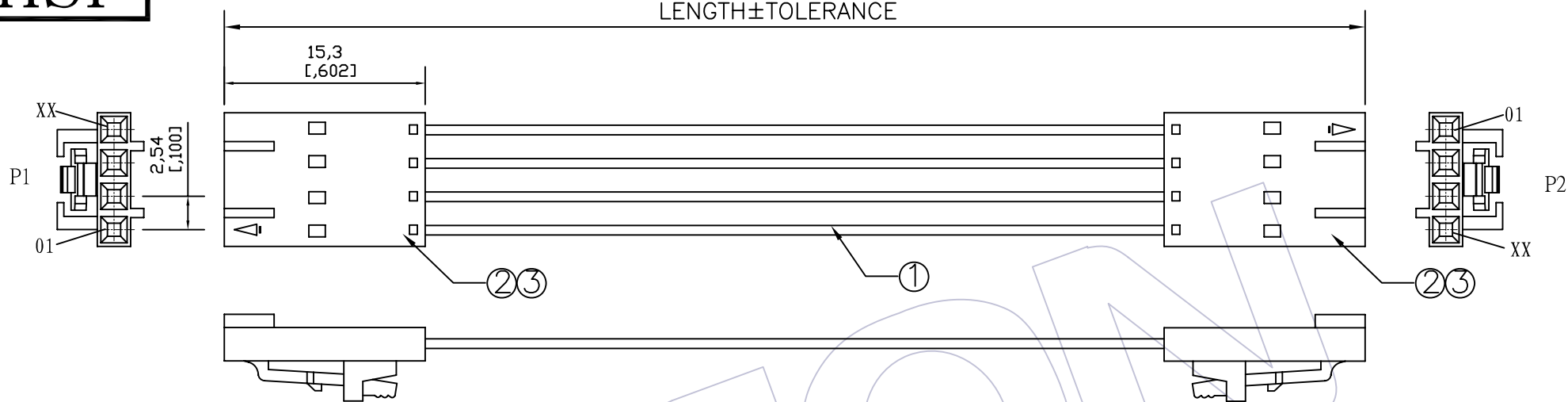


HSF



SPECIFICATIONS

Insulation Resistance: $5M\Omega$ Min
 Contact Resistance: 3.0Ω Max
 Withstand Voltage: DC 300V, 10S
 The Cable Assembly Must 100% Test

CONNECT METHOD

P1	Color	P2
01	XXX	XX
02	XXX	XX
03	XXX	XX
XX	XXX	01

Wire SPEC	LENGTH	TOLERANCE
ULxxxx 22~28AWG	1~499	±5
	500~999	±10
	1000~1500	±15
	1501~3000	±20
	3001~5000	±30
	5001~	± Lx1%

Ordering Information

C9140 - XX 02 xxx 101

No. of Pins:
02~20P

Shape Style:
02=Both ends Process

Length of Line

NO.	PART NO.	NAME	Specification	Q' TY	UNIT
③	WF2542-TPSN01	Terminal	PH2.54mm Phosphor Bronze/Brass Tin Terminal	Double xx	PCS
②	WF2542-HxxB01	Housing	PH2.54mm xxP Black Housing	2	PCS
①	Wxxxx-1xxx00001	WIRE	UL: xxxx, AWG: 22~28, Color: xx, Wire	xxxx	MM

REV	DATE	MODIFICATION DESCRIPTION	CHANGE	APPROVE	SCALE	UNIT	SHEET	PROJ.	客户料号 Customer NO.
AO	09/09/29	NEW			FREE	mm	1/1		
版次	日期	变更说明	变更	核准	工程图	绘图	料号 PART NO.		C9140-xx02xxx101
REV	DATE	MODIFICATION DESCRIPTION	CHANGE	APPROVE	ENGINEERING	DRAW	品名 TITLE:		PH2.54 **P HSG TO PH2.54 **P HSG
					X.X ±0.30	设计			
					X.XX ±0.20	审核			
					X.XXX ±0.10	核准			
					Angle ± 2'	核准			
					DIM TOL	APPROVE			

WCON 维峰五金电子有限公司
 WAVE HARDWARE ELECTRONICS CO. LTD