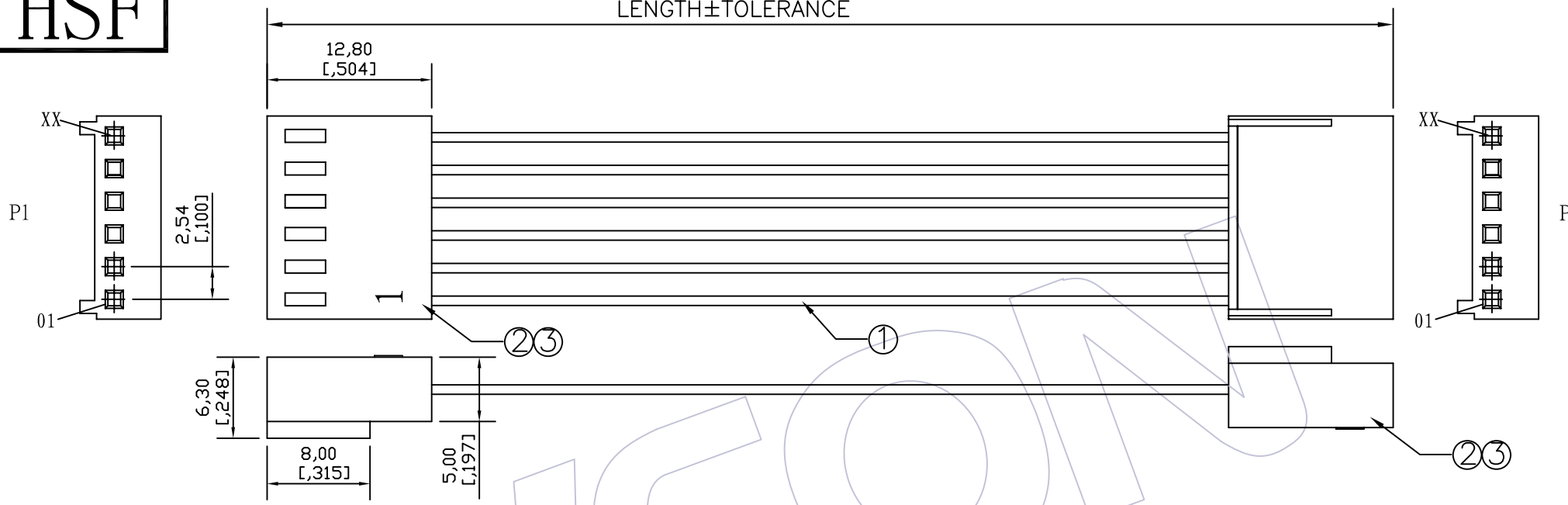


HSF



SPECIFICATIONS
 Insulation Resistance: 5MΩ Min
 Contact Resistance: 3.0Ω Max
 Withstand Voltage: DC 300V, 10S
 The Cable Assembly Must 100% Test

Ordering Information

C9140 - xx 02 xxx 001
 No.of Pins: 02~20P Shape Style: 02=Both ends Process Length of Line

CONNECT METHOD

P1	Color	P2
01	XXX	OPEN
02	XXX	OPEN
03	XXX	OPEN
XX	XXX	OPEN

Wire SPEC	LENGTH	TOLERANCE
ULxxxx 22~28AWG	1~499	±5
	500~999	±10
	1000~1500	±15
	1501~3000	±20
	3001~5000	±30
	5001~	± Lx1%

NO.	PART NO.	NAME	Specification	Q'TY	UNIT
③	WF2541-TPSN01	Terminal	Molex PH2.54mm Phosphor Bronze/Brass Tin Terminal	Double xx	PCS
②	WF2541-Hxxx01	Housing	Molex PH2.54mm xxP Color: xxx Housing	2	PCS
①	Wxxxx-1xxx00001	WIRE	UL: xxxx, AWG: 22~28, Color: xx, Wire	xxxx	MM

工程图 ENGINEERING		绘图 DRAW		BEN	09/09/29	SCALE	FREE	WCON 维峰五金电子有限公司 WAFE HARDWARE ELECTRONICS CO. LTD	
X.X	±0.30	设计 DESIGN				UNIT	mm		
X.XX	±0.20	审核 CHECK				SIZE	A4	料号 PART NO.	C9140-xx02xxx001
X.XXX	±0.10	核准 APPROVE				SHEET	1/1	品名 TITLE:	PH2.54 **P HSG/PH2.54 **P HSG
AO	09/09/29	NEW				PROJ.	客户料号 Customer NO.		
版次 REV	日期 DATE	变更说明 MODIFICATION DESCRIPTION		变更 CHANGE	核准 APPROVE				