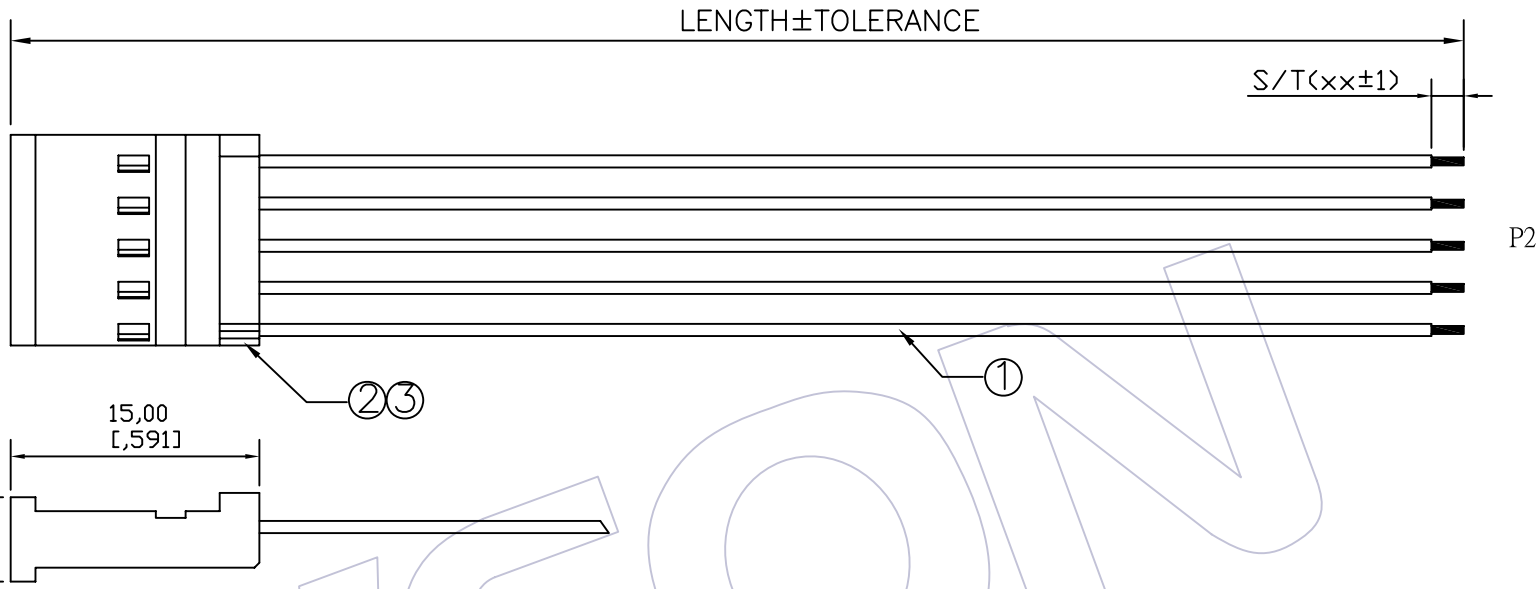
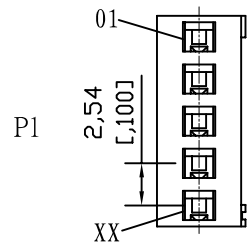


HSF



SPECIFICATIONS

Insulation Resistance: $5M\Omega$ Min
 Contact Resistance: 3.0Ω Max
 Withstand Voltage: DC 300V, 10S
 The Cable Assembly Must 100% Test

CONNECT METHOD

P1	Color	P2
01	XXX	OPEN
02	XXX	OPEN
03	XXX	OPEN
XX	XXX	OPEN

Wire SPEC	LENGTH	TOLERANCE
ULxxxx 22~28AWG	1~499	±5
	500~999	±10
	1000~1500	±15
	1501~3000	±20
	3001~5000	±30
	5001~	± Lx1%

Ordering Information

C9140 - xx 01 xxx 601

No. of Pins: 03~20P
 Shape Style: 01=one end Process, another one end plate tin
 Length of Line

NO.	PART NO.	NAME	Specification	Q' TY	UNIT
③	WF2547-TPSN01	Terminal	PH2.54mm Phosphor Bronze/Brass Tin Terminal	XX	PCS
②	WF2547-1HxxW01	Housing	PH2.54mm 1X **P White Housing	1	PCS
①	Wxxxx-1xxx00001	WIRE	UL:xxxx,AWG:22~28,Color:xx,Wire	xxxx	MM

REV	DATE	MODIFICATION DESCRIPTION	CHANGE	APPROVE	ENGINEERING	DRAW	DATE	SCALE	UNIT	SHEET	TITLE	CUSTOMER NO.
A0	09/09/29	NEW			X.X ±0.30	BEN	09/09/29	FREE	mm	1/1	料号 PART NO. C9140-xx01xxx601	
					X.XX ±0.20						品名 TITLE: PH2.54 **P Housing TO OPEN	
					X.XXX ±0.10							
					Angle ± 2'							
					DIM TOL							

WCON 维峰五金电子有限公司
 WAVE HARDWARE ELECTRONICS CO. LTD

客户料号 Customer NO.