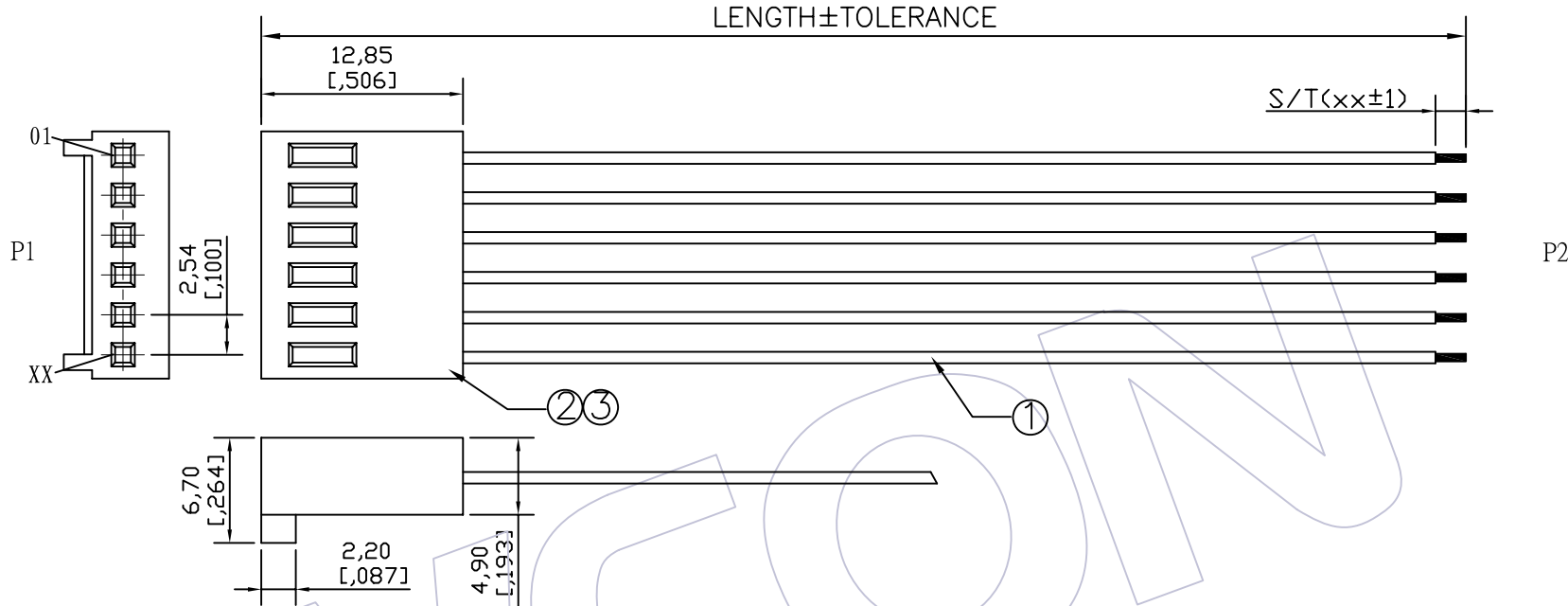


# HSF



### SPECIFICATIONS

Insulation Resistance: 5MΩ Min  
 Contact Resistance: 3.0Ω Max  
 Withstand Voltage: DC 300V, 10S  
 The Cable Assembly Must 100% Test

### Ordering Information

C9140 - xx 01 xxx 501

No. of Pins: 02~20P      Shape Style: 01=one end Process, another one end plate tin      Length of Line

### CONNECT METHOD

P1	Color	P2
01	XXX	OPEN
02	XXX	OPEN
03	XXX	OPEN
⋮	⋮	⋮
XX	XXX	OPEN

Wire SPEC	LENGTH	TOLERANCE
ULxxxx 22~28AWG	1~499	±5
	500~999	±10
	1000~1500	±15
	1501~3000	±20
	3001~5000	±30
	5001~	± Lx1%

③	WF2546-TPSN01	Terminal	PH2.54mm Phosphor Bronze/Brass Tin Terminal	xx	PCS
②	WF2546-HxxW01	Housing	PH2.54mm **P White Housing	1	PCS
①	Wxxxx-1xxx00001	WIRE	UL:xxxx,AWG:22~28,Color:xx,Wire	xxxx	MM
NO.	PART NO.	NAME	Specification	Q' TY	UNIT

工程图 ENGINEERING		绘图 DRAW		BEN	09/09/29	SCALE	FREE	<b>WCON</b> 维峰五金电子有限公司 WAFE HARDWARE ELECTRONICS CO. LTD	
X.X	±0.30	设计 DESIGN				UNIT	mm		
X.XX	±0.20	审核 CHECK				SIZE	A4	料号 PART NO.	C9140-xx01xx501
X.XXX	±0.10	核准 APPROVE				SHEET	1/1	品名 TITLE:	PH2.54 **P Housing TO OPEN
版次 REV	日期 DATE	变更说明 MODIFICATION DESCRIPTION		变更 CHANGE	核准 APPROVE	Angle	± 2'	PROJ.	客户料号Customer NO.
		DIM		TOL	核准 APPROVE				