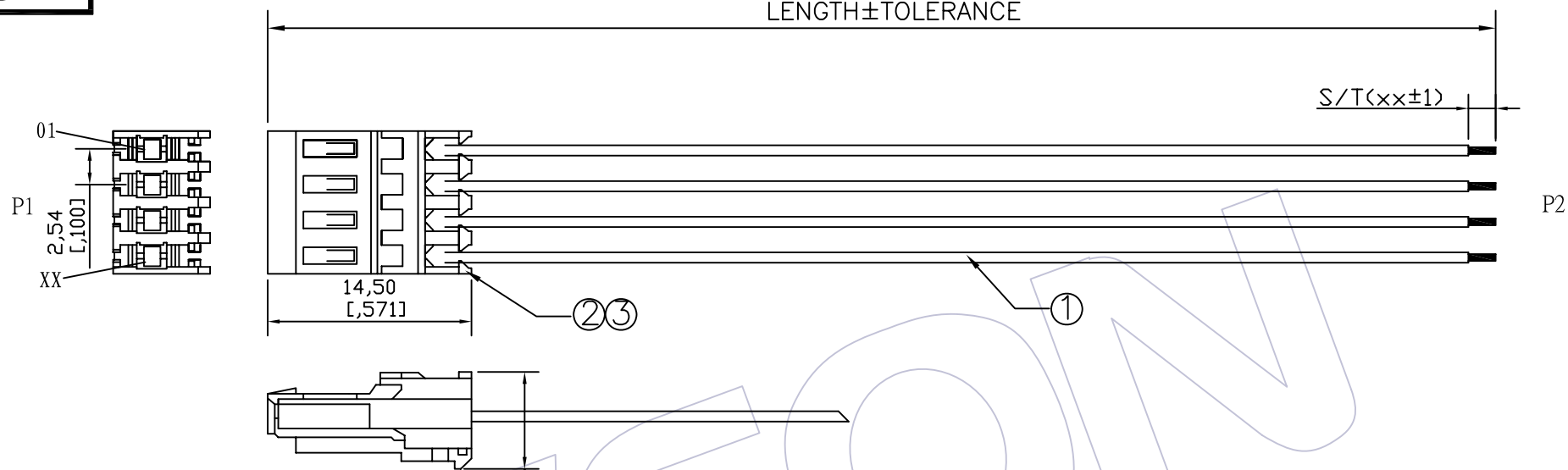


# HSF



## SPECIFICATIONS

Insulation Resistance:  $5M\Omega$  Min  
 Contact Resistance:  $3.0\Omega$  Max  
 Withstand Voltage: DC 300V, 10S  
 The Cable Assembly Must 100% Test

## Ordering Information

C9140 - xx 01 xxx 401

No. of Pins:  
02~17P

Shape Style:  
01=one end Process,  
another one end plate tin

Length of Line

CONNECT METHOD

P1	Color	P2
01	XXX	OPEN
02	XXX	OPEN
03	XXX	OPEN
XX	XXX	OPEN

Wire SPEC	LENGTH	TOLERANCE
ULxxxx 22~28AWG	1~499	$\pm 5$
	500~999	$\pm 10$
	1000~1500	$\pm 15$
	1501~3000	$\pm 20$
	3001~5000	$\pm 30$
	5001~	$\pm Lx1\%$

②	WF2545-Hxxx01	Housing	Assemble style PH2.54mm **P Color: XX Housing Terminal: Brass TIN	1	PCS
①	Wxxxx-1xxx00001	WIRE	UL:xxxx,AWG:22~28,Color:xx,Wire	XXXX	MM
NO.	PART NO.	NAME	Specification	Q'TY	UNIT

						工程图 ENGINEERING	绘图 DRAW	BEN	09/09/29	SCALE	FREE	<b>WCON</b> 维峰五金电子有限公司 WAFE HARDWARE ELECTRONICS CO. LTD		
						X.X	$\pm 0.30$			UNIT	mm			
						X.XX	$\pm 0.20$			SIZE	A4		料号 PART NO.	C9140-xx01xxx401
						X.XXX	$\pm 0.10$			SHEET	1/1		品名 TITLE:	PH2.54 **P Housing TO OPEN
AO	09/09/29		NEW			Angle	$\pm 2'$			PROJ.	客户料号 Customer NO.			
版次 REV	日期 DATE	变更说明 MODIFICATION DESCRIPTION		变更 CHANGE	核准 APPROVE	DIM	TOL	核准 APPROVE						