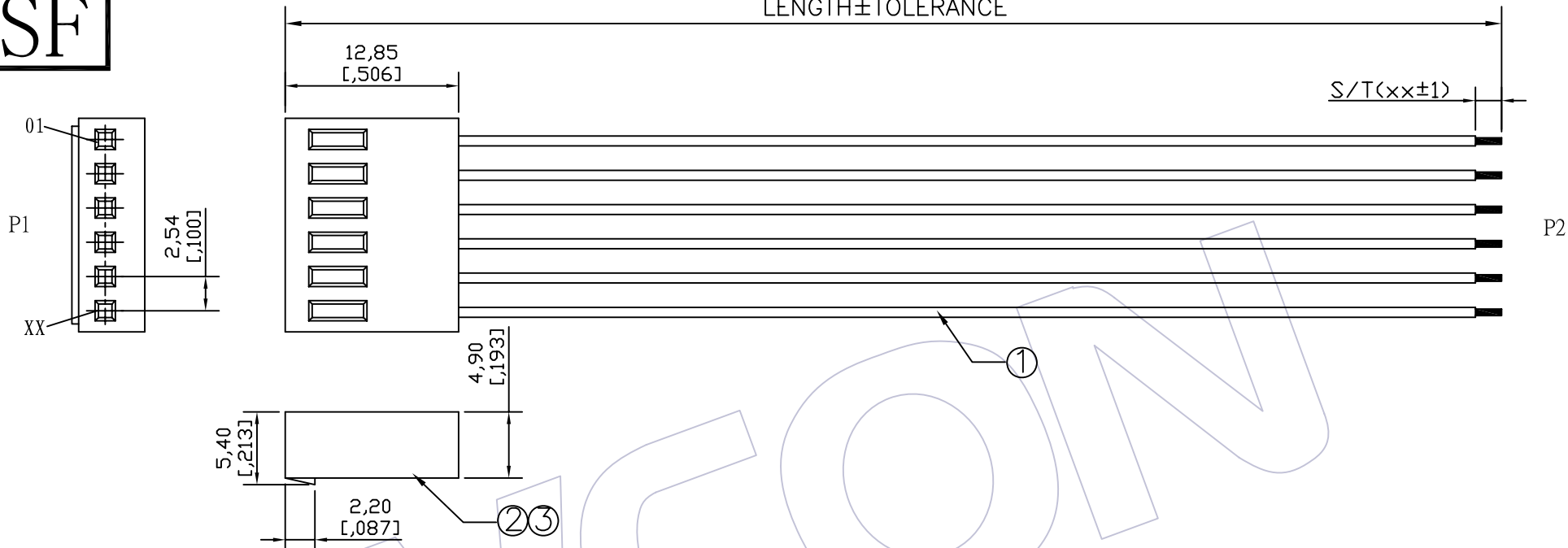


HSF



SPECIFICATIONS

Insulation Resistance: 5MΩ Min
 Contact Resistance: 3.0Ω Max
 Withstand Voltage: DC 300V, 10S
 The Cable Assembly Must 100% Test

Ordering Information

C9140 - XX 01 XXX 301

No.of Pins: 04~30P Shape Style: 01=one end Process, another one end plate tin Length of Line

CONNECT METHOD

	Color	
P1	XXX	P2
01	XXX	OPEN
02	XXX	OPEN
03	XXX	OPEN
XX	XXX	OPEN

Wire SPEC	LENGTH	TOLERANCE
ULxxxx 22~28AWG	1~499	±5
	500~999	±10
	1000~1500	±15
	1501~3000	±20
	3001~5000	±30
	5001~	± Lx1%

NO.	PART NO.	NAME	Specification	Q' TY	UNIT
③	WF2544-TPSN01	Terminal	PH2.54mm Phosphor Bronze/Brass Tin Terminal	XX	PCS
②	WF2544-Hxxx01	Housing	PH2.54mm **P Color: XX Housing	1	PCS
①	Wxxxx-1xxx00001	WIRE	UL:xxxx,AWG:22~28,Color:xx,Wire	XXXX	MM

REV		DATE	MODIFICATION DESCRIPTION	CHANGE	APPROVE	ENGINEERING	DRAW	DATE	SCALE	UNIT	SHEET	PROJ.	WAVE HARDWARE ELECTRONICS CO. LTD
A0		09/09/29	NEW			X.X ±0.30	BEN	09/09/29	FREE	mm	1/1		料号 PART NO. C9140-xx01xxx301
						X.XX ±0.20							品名 TITLE: PH2.54 **P Housing TO OPEN
						X.XXX ±0.10							客户料号Customer NO.
						Angle ± 2'							
						DIM TOL							

WCON 维峰五金电子有限公司
 WAVE HARDWARE ELECTRONICS CO. LTD

料号 PART NO. C9140-xx01xxx301
 品名 TITLE: PH2.54 **P Housing TO OPEN

客户料号Customer NO.