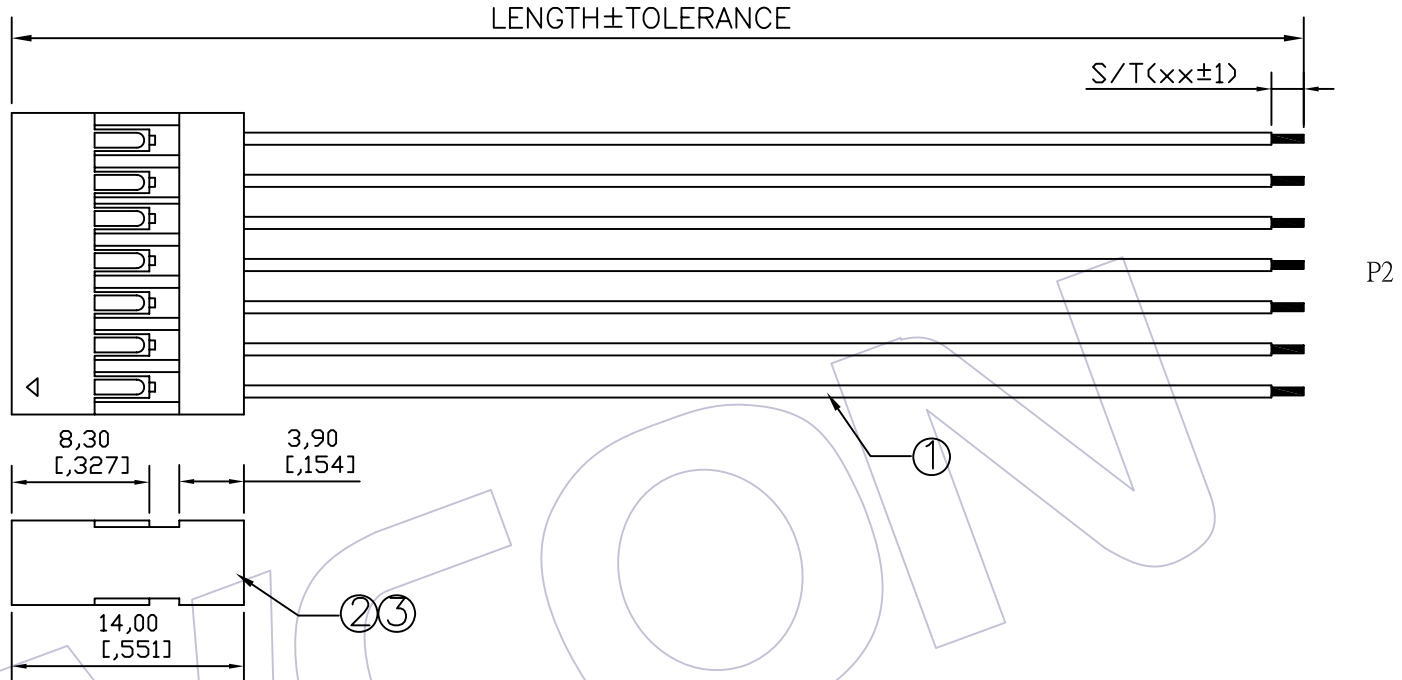
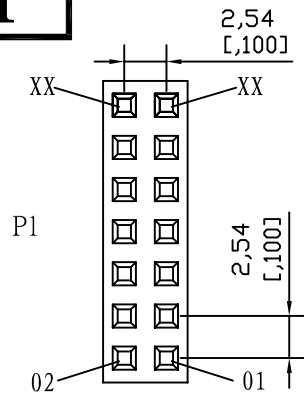


HSF



SPECIFICATIONS

Insulation Resistance: $5M\Omega$ Min
 Contact Resistance: 3.0Ω Max
 Withstand Voltage: DC 300V, 10S
 The Cable Assembly Must 100% Test

Ordering Information

C9140 - xx 01 xxx 202

No. of Pins: 04~40P Shape Style: 01=one end Process, another one end plate tin Length of Line

CONNECT METHOD

P1	Color	P2
01	XXX	OPEN
02	XXX	OPEN
03	XXX	OPEN
XX	XXX	OPEN

Wire SPEC	LENGTH	TOLERANCE
ULxxxx 22~28AWG	1~499	±5
	500~999	±10
	1000~1500	±15
	1501~3000	±20
	3001~5000	±30
	5001~	± Lx1%

NO.	PART NO.	NAME	Specification	Q' TY	UNIT
③	WF2543-TPSN01	Terminal	Double Row 2.54mm Phosphor Bronze/Brass Tin Terminal	XX	PCS
②	WF2543-2HxxB01	Housing	Double Row 2.54mm 2X **P Black Housing	1	PCS
①	Wxxxx-1xxx00001	WIRE	UL:xxxx,AWG:22~28,Color:xx,Wire	xxxx	MM

AO	09/09/29	NEW				工程图 ENGINEERING	绘图 DRAW	BEN	09/09/29	SCALE	FREE	 维峰五金电子有限公司 WAFE HARDWARE ELECTRONICS CO. LTD		
版次 REV	日期 DATE	变更说明 MODIFICATION DESCRIPTION	变更 CHANGE	核准 APPROVE		X.X ±0.30	设计 DESIGN			UNIT	mm		料号 PART NO.	C9140-xx01xxx202
						X.XX ±0.20	审核 CHECK			SHEET	1/1		品名 TITLE:	PH2.54 **P Housing TO OPEN
						X.XXX ±0.10	核准 APPROVE			PROJ.	客户料号Customer NO.			
						Angle ± 2'								